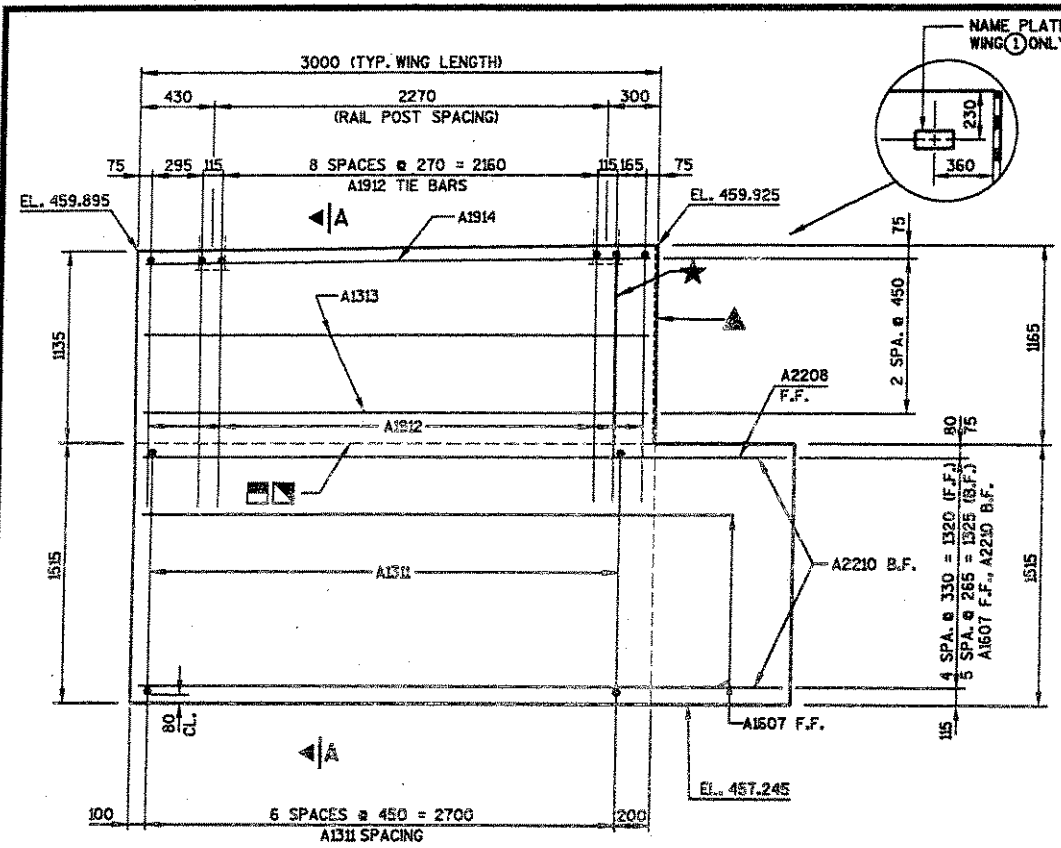
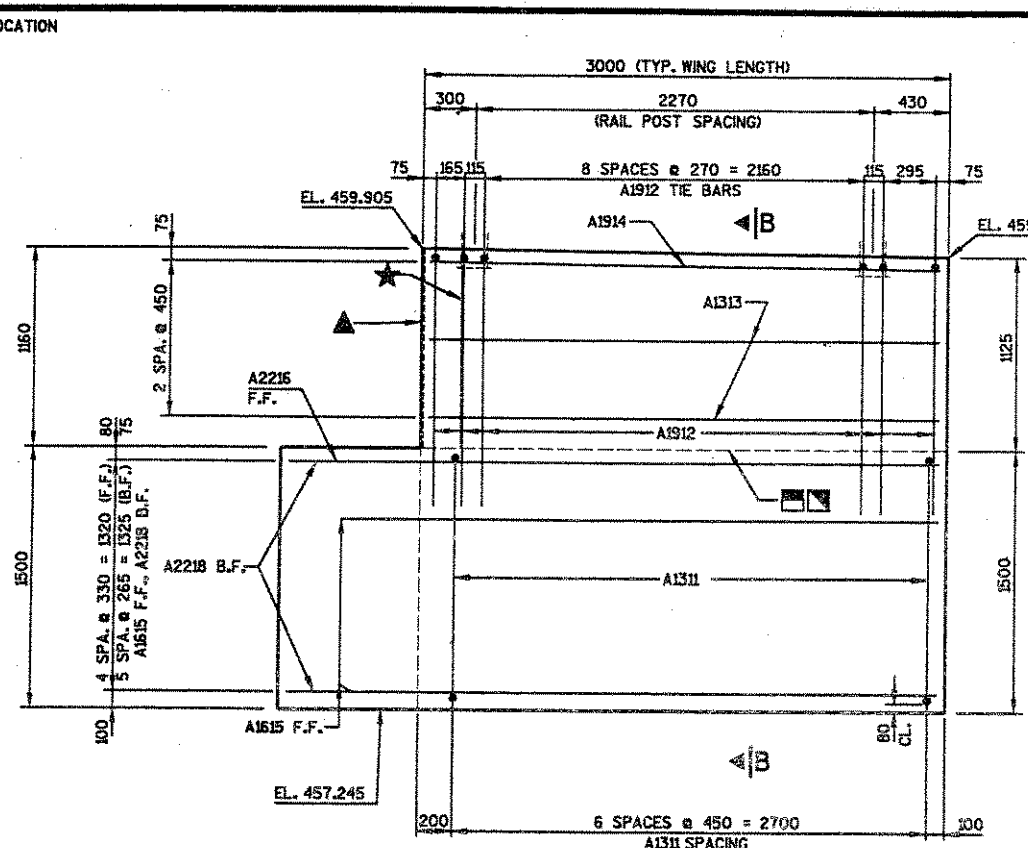


ORIGINATOR: RLR
 LEVELS ON - 1, 2, 3, 4, 5, 6, 7, 8, 9, 10, 11, 12, 13, 14, 15, 16, 17, 18, 19, 20, 21, 22, 23, 24, 25, 26, 27, 28, 29, 30, 31, 32, 33, 34, 35, 36, 37, 38, 39, 40, 41, 42, 43, 44, 45, 46, 47, 48, 49, 50, 51, 52, 53, 54, 55, 56, 57, 58, 59, 60, 61, 62, 63
 MSA #: 93966105
 REV. DATE: 9-22-97
 PLOT SCALE:



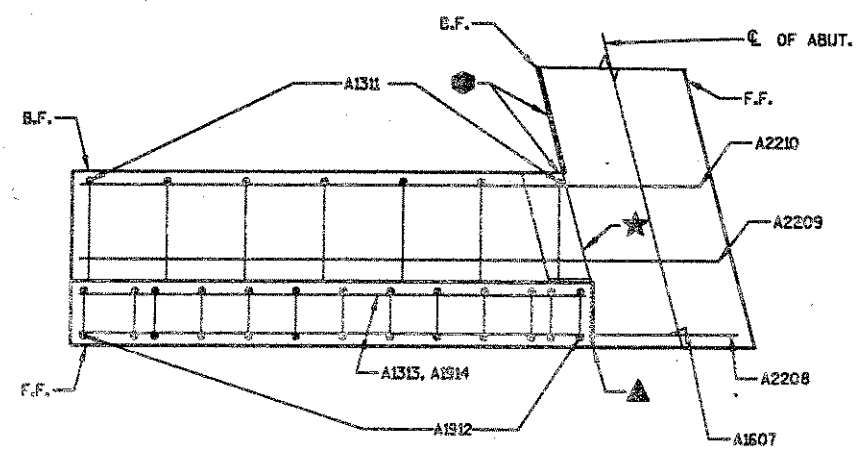
ELEVATION - WINGS 1 & 3

(LOOKING AT F.F. OF WINGS)
 DIMENSIONS AND ELEVATIONS ARE GIVEN AT F.F. OF WING

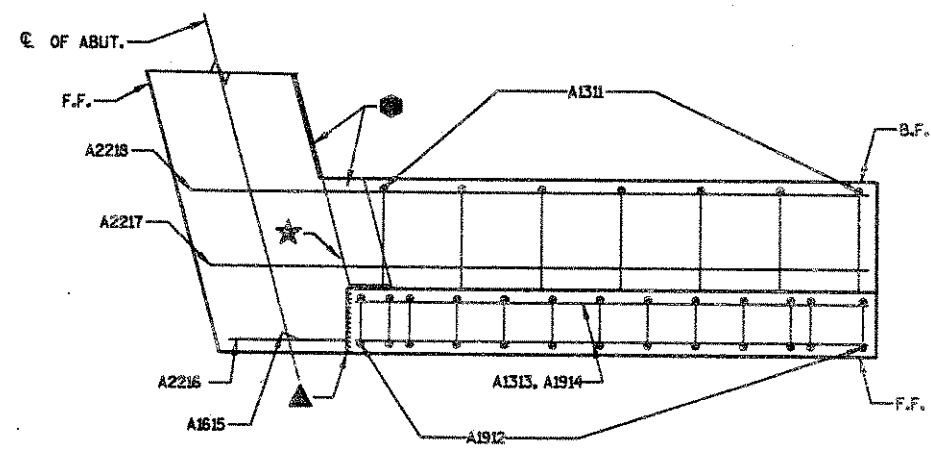


ELEVATION - WINGS 2 & 4

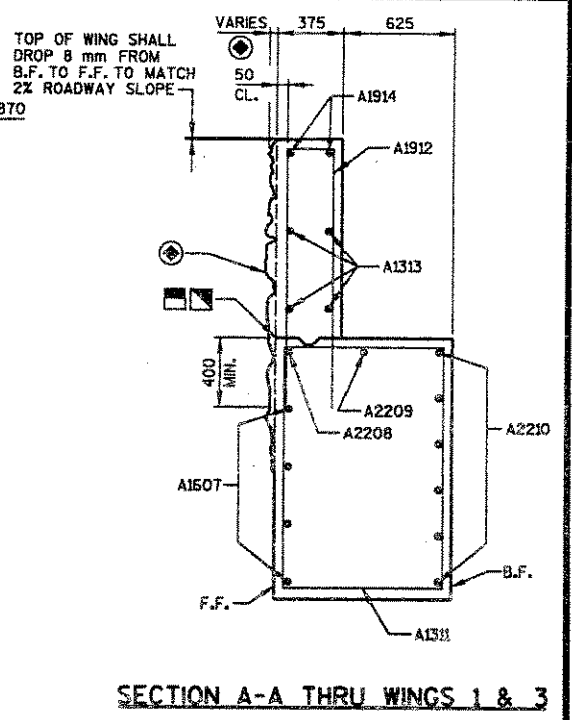
(LOOKING AT F.F. OF WINGS)
 DIMENSIONS AND ELEVATIONS ARE GIVEN AT F.F. OF WING



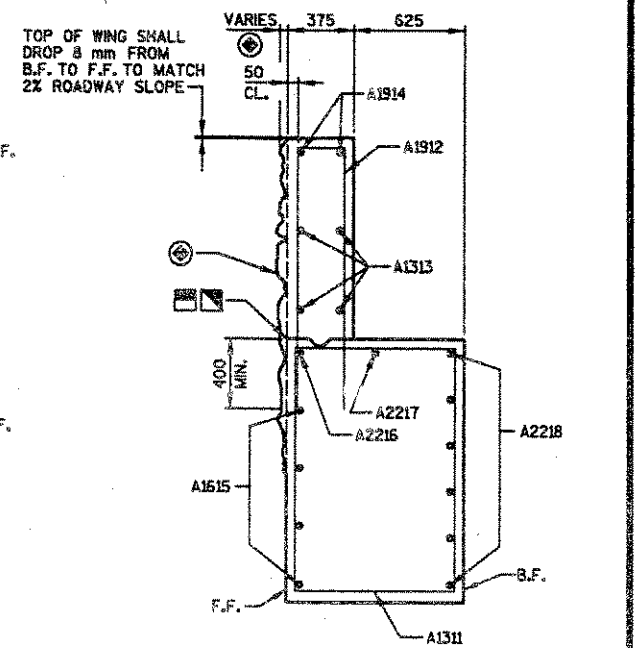
PLAN - WINGS 1 & 3



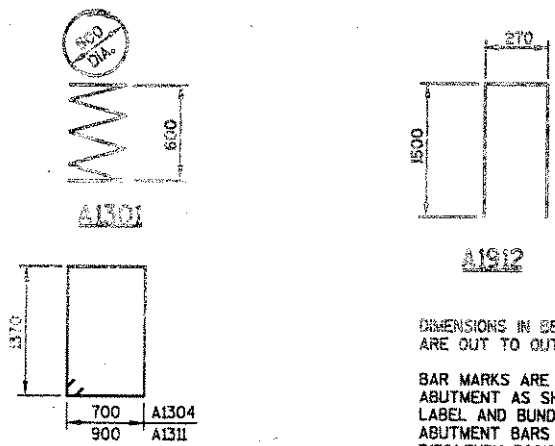
PLAN - WINGS 2 & 4



SECTION A-A THRU WINGS 1 & 3



SECTION B-B THRU WINGS 2 & 4



A1304, A1311

DIMENSIONS IN BENDING DETAILS ARE OUT TO OUT OF BAR.
 BAR MARKS ARE FOR WEST ABUTMENT AS SHOWN. LABEL AND BUNDLE EAST ABUTMENT BARS WITH B MARK, B1301 THRU B2218.
 ⊗ EPOXY COAT THESE BARS.

BILL OF BARS (ABUTMENT) 935 kg (UNCOATED) 210 kg (COATED)

MARK	NO. REQ'D	LENGTH	BENT	LOCATION
A1301	5	8600	X	AT BODY PILES-1 PER PILE 5 SPIRAL WRAPS
A1302	10	700	" " " -2 "	" - VERT.
A1903	11	8150	" " " "	BODY - F.F., TOP & BOTTOM - HORIZ.
A1304	32	4350	X	" - STIRRUPS - VERT.
A2505	7	8150	" " " "	" - B.F. - HORIZ.
A1606	12	600	" " " "	" - TOP DOWELS - VERT.
A1607	4	3450	" " " "	WINGS 1 & 3 - BASE - F.F. - HORIZ.
A2208	1	3750	" " " "	" " " " - TOP
A2209	1	3850	" " " "	" " " " - B.F.
A2210	6	3550	" " " "	" " " " - TOP
A1311	14	4750	X	" - BASE - STIRRUPS - VERT.
A1912	26	3200	X	" - TOP - TIES - HORIZ.
A1313	8	2900	" " " "	" - F.F. & B.F. - HORIZ.
A1914	4	2900	" " " "	" " " " - HORIZ.
A1615	4	3300	" " " "	WINGS 2 & 4 - BASE - F.F.
A2216	1	3600	" " " "	" " " " - TOP
A2217	1	3750	" " " "	" " " " - TOP
A2218	6	3850	" " " "	" " " " - B.F.

⊗ - ARCHITECTURAL SURFACE TREATMENT FOR LIMITS SEE SHEET L

SEE SHEET 4 FOR LEGEND OF

No.	Date	Revision	By
STATE OF WISCONSIN DEPARTMENT OF TRANSPORTATION			
STRUCTURE B-35-136			
Const. Spec.	W1'96"	Drawn By RLR	Plans Checked -JMB
ABUTMENT DETAILS			SHEET 5 OF 9