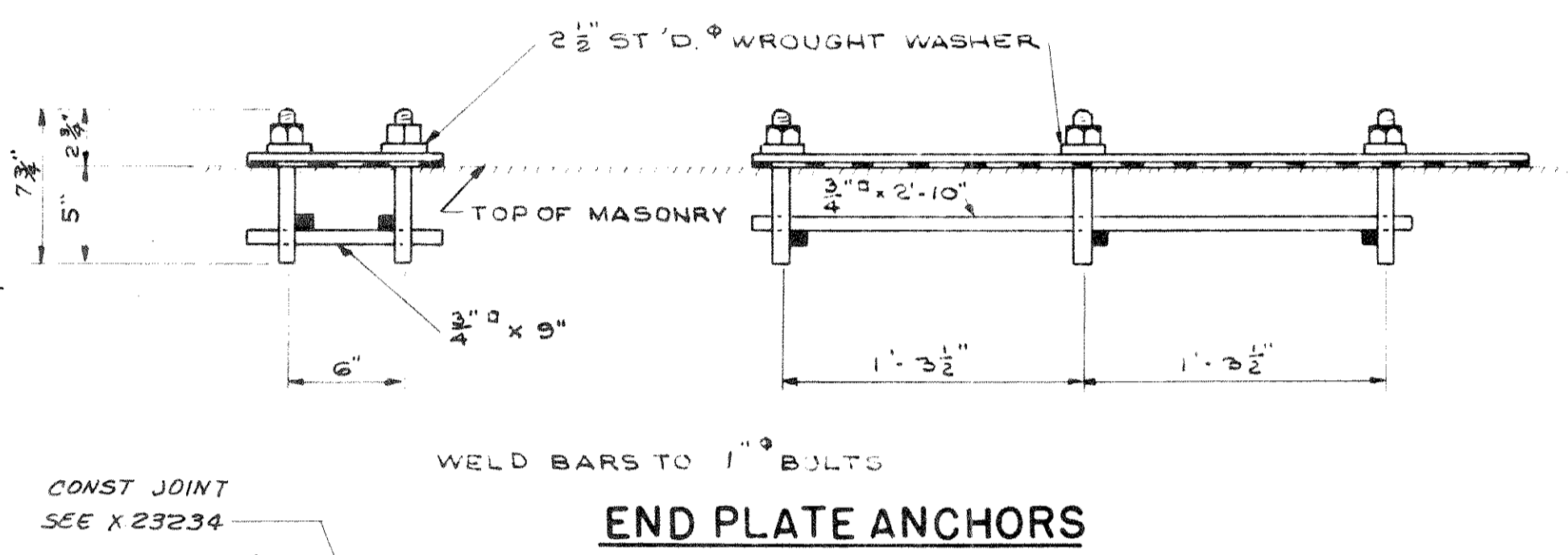
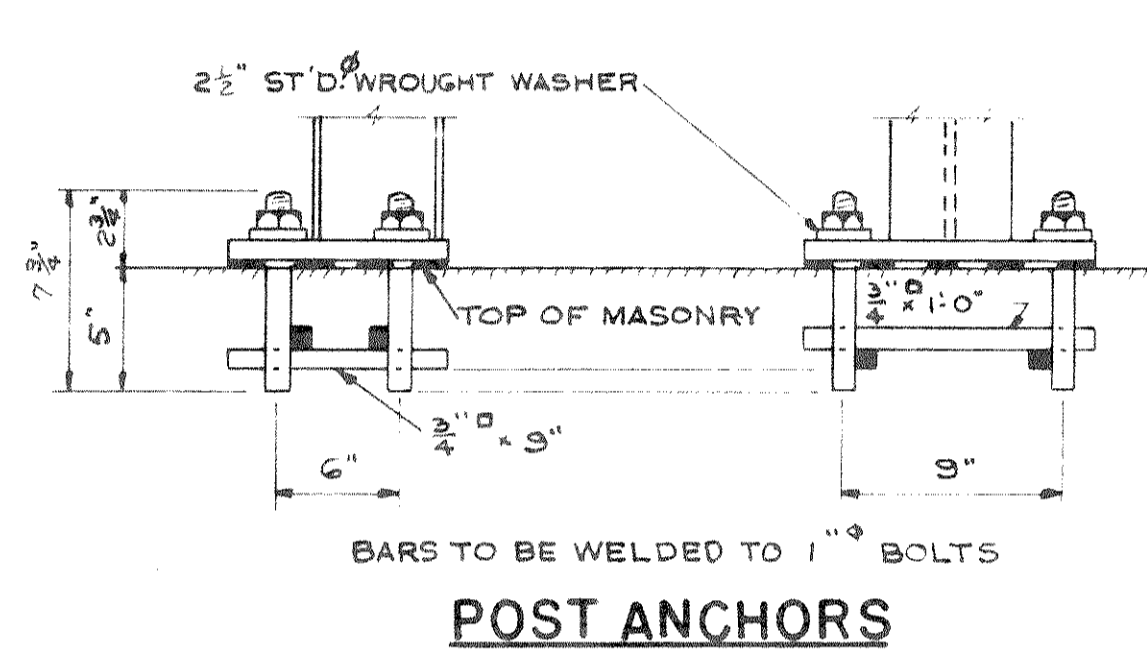
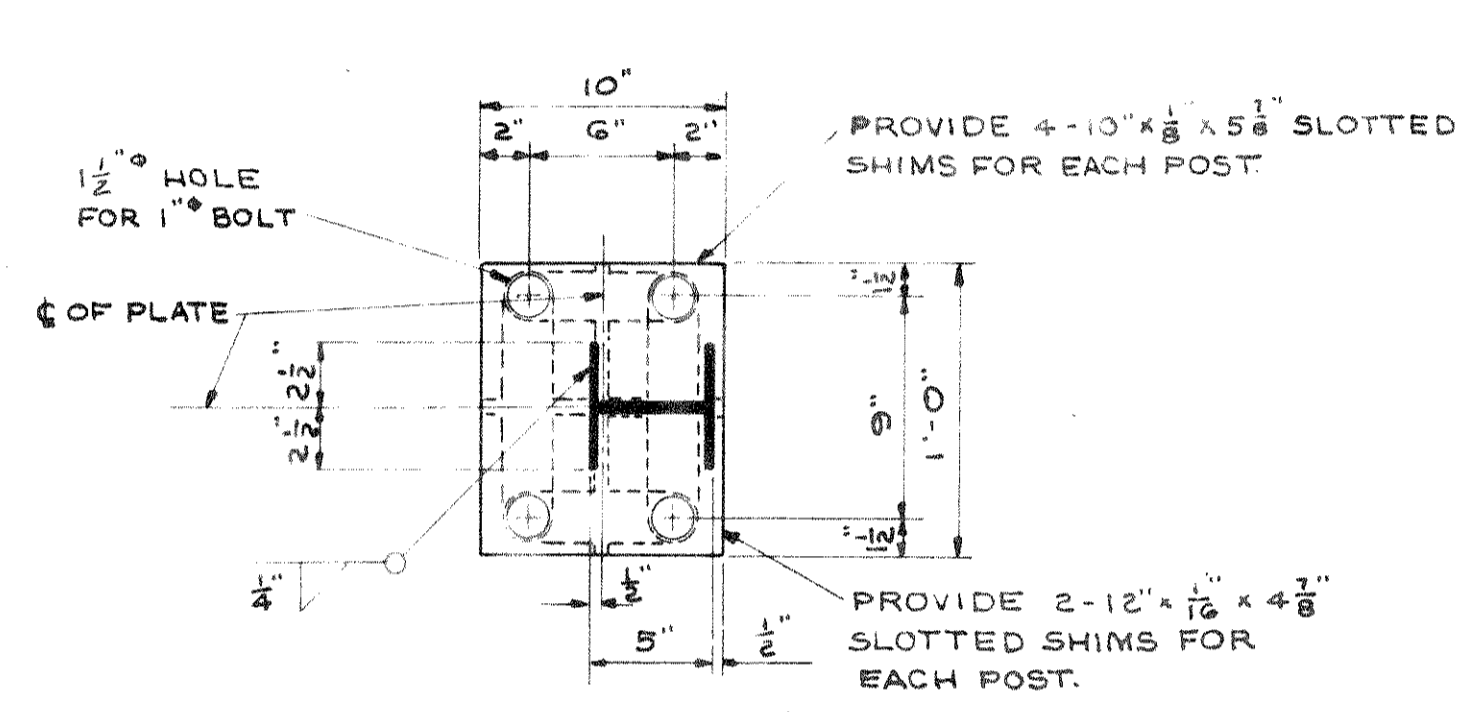
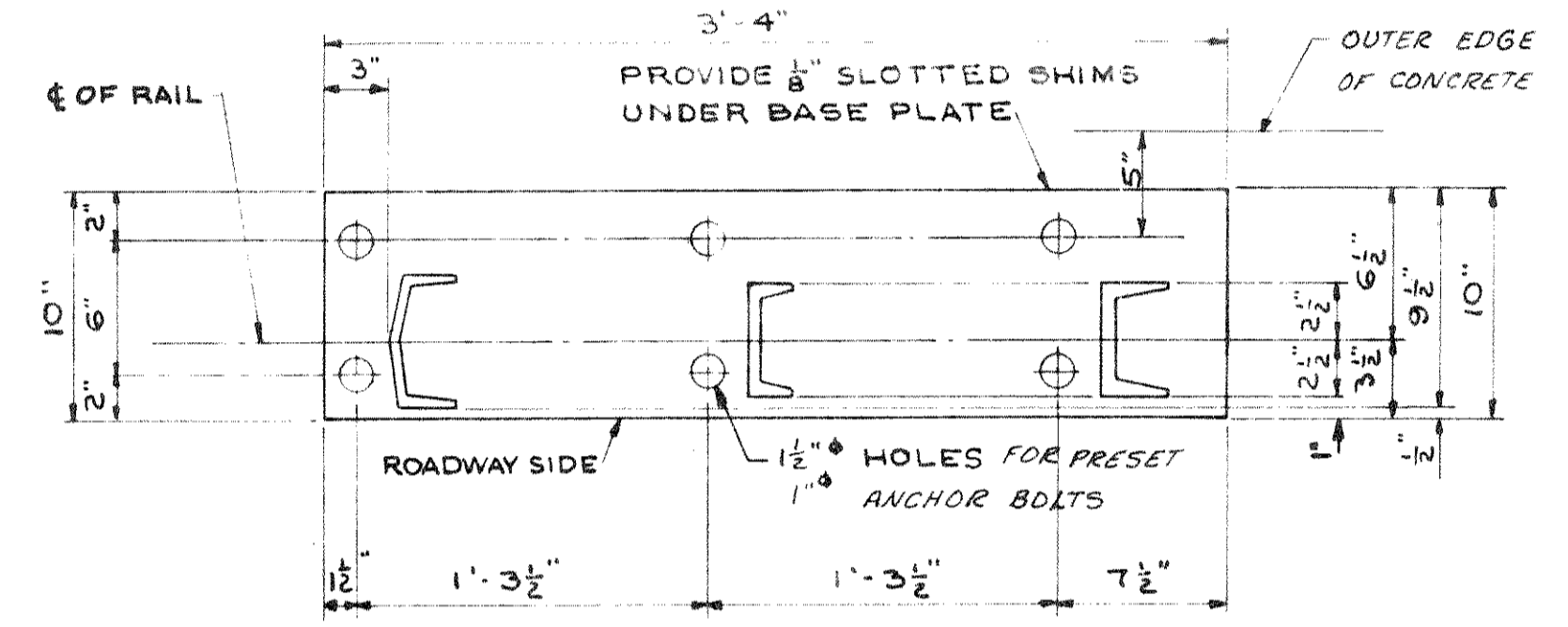
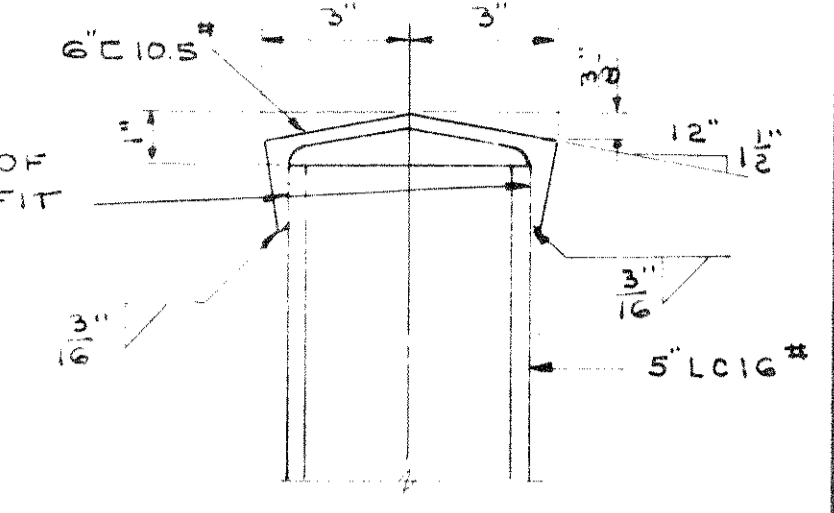
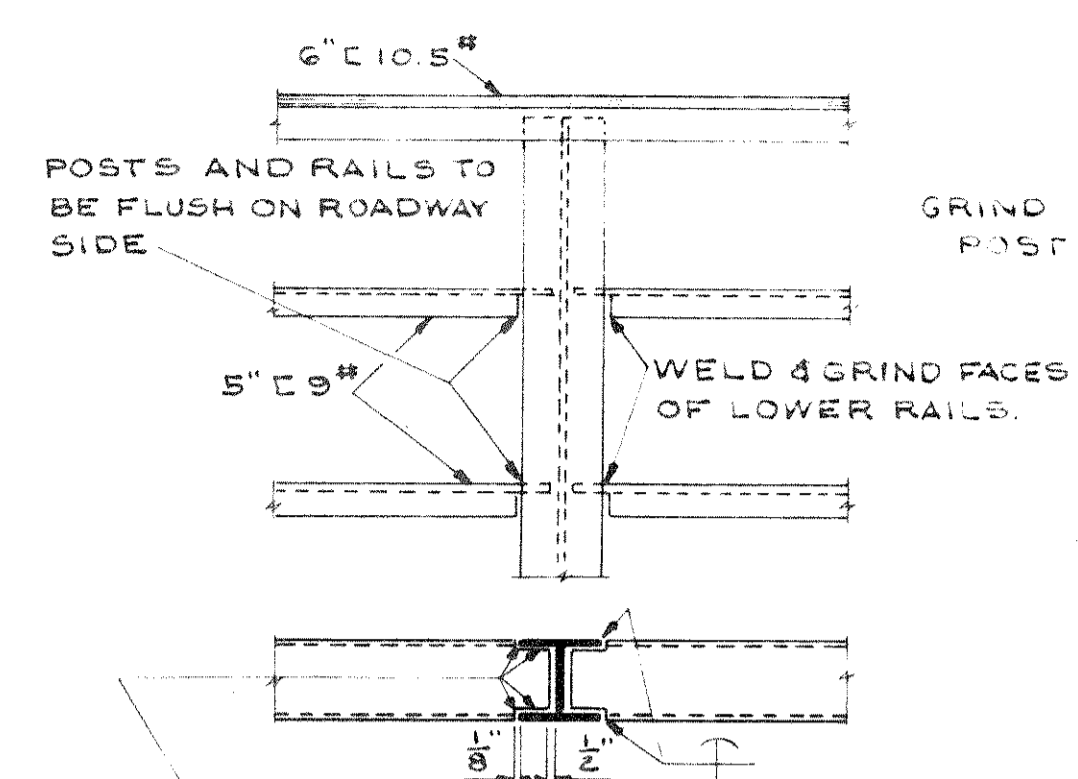
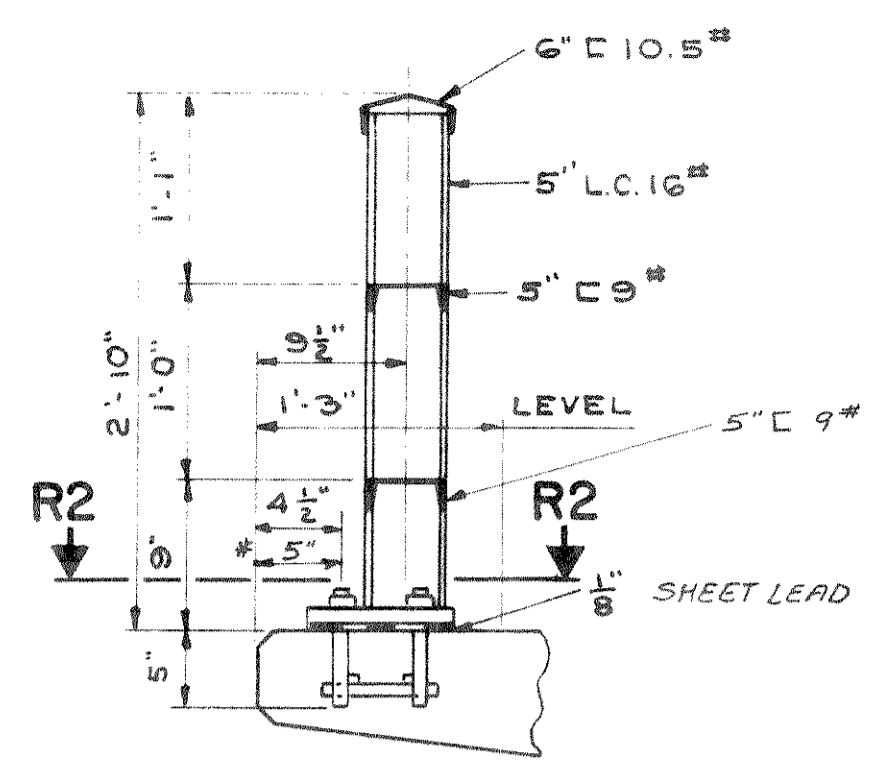
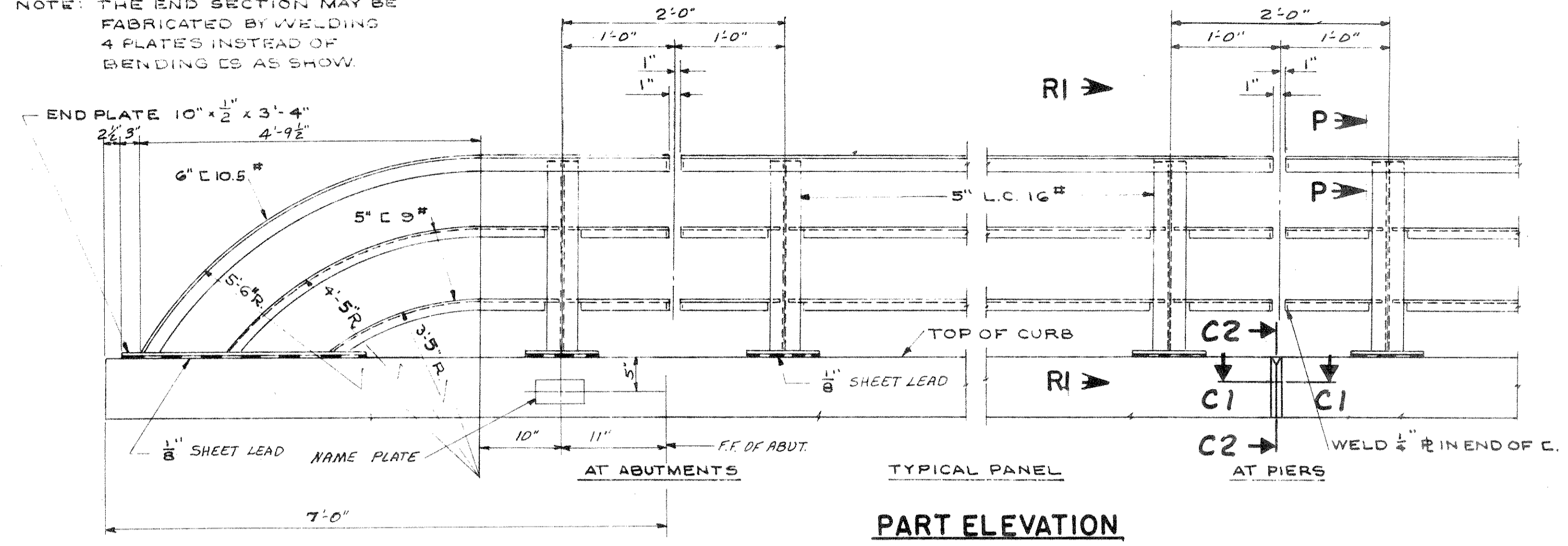


NOTE: THE END SECTION MAY BE FABRICATED BY WELDING 4 PLATES INSTEAD OF BENDING CS AS SHOWN.

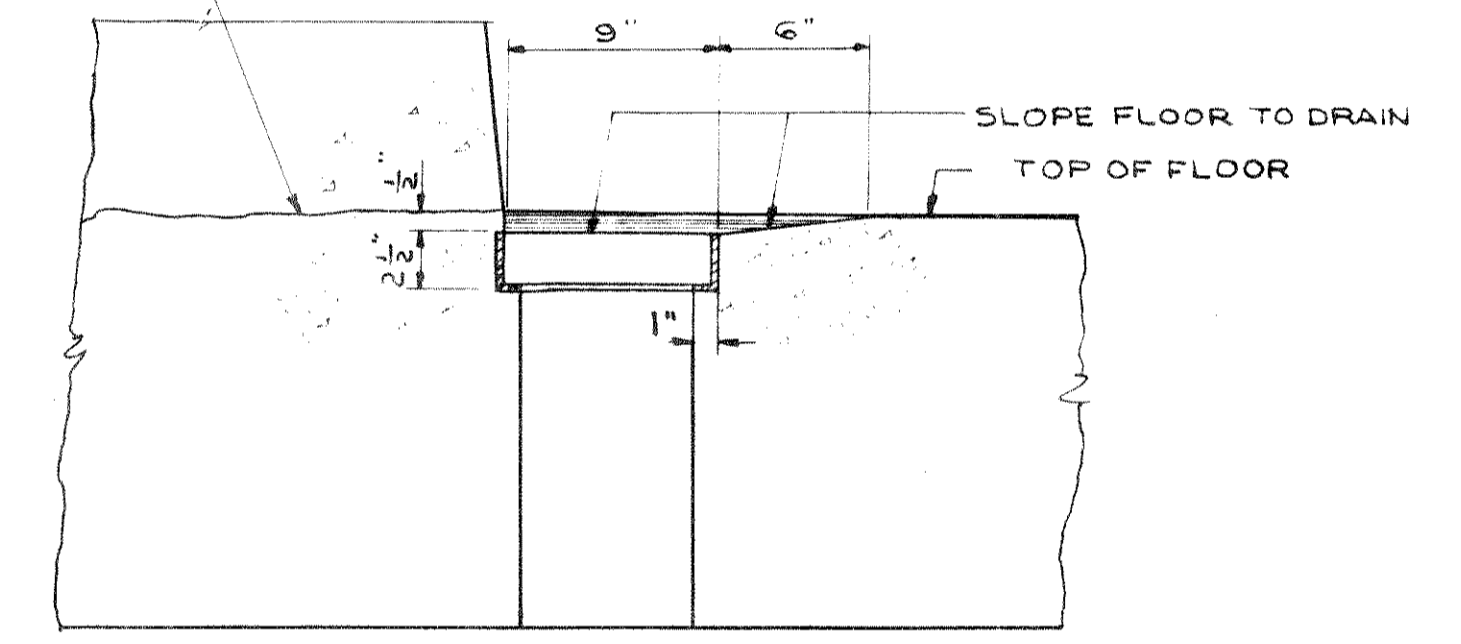
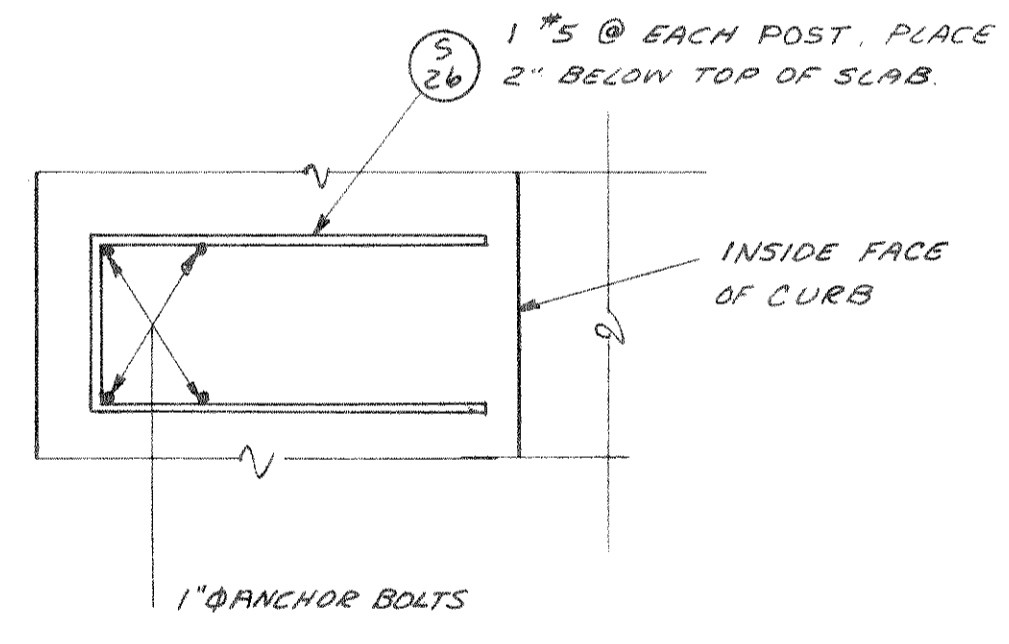
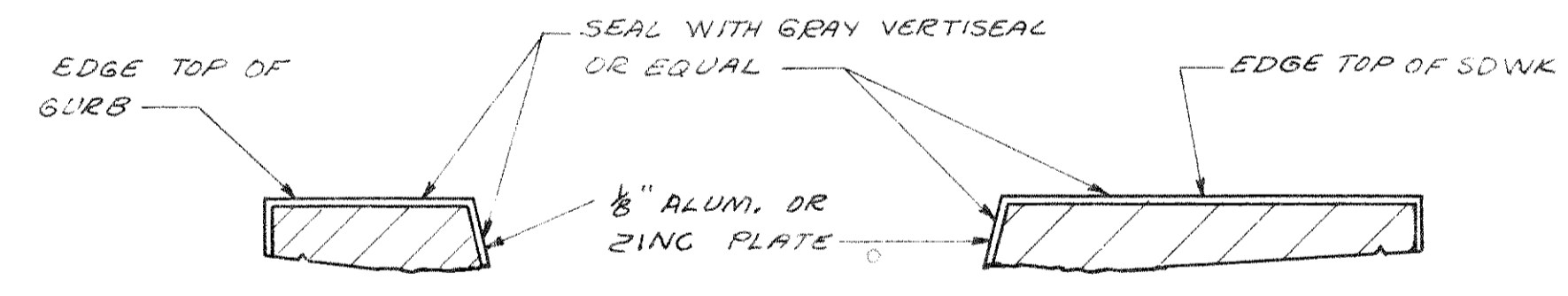


PART PLAN OF END SECTION

SECTION R2

POST ANCHORS

END PLATE ANCHORS

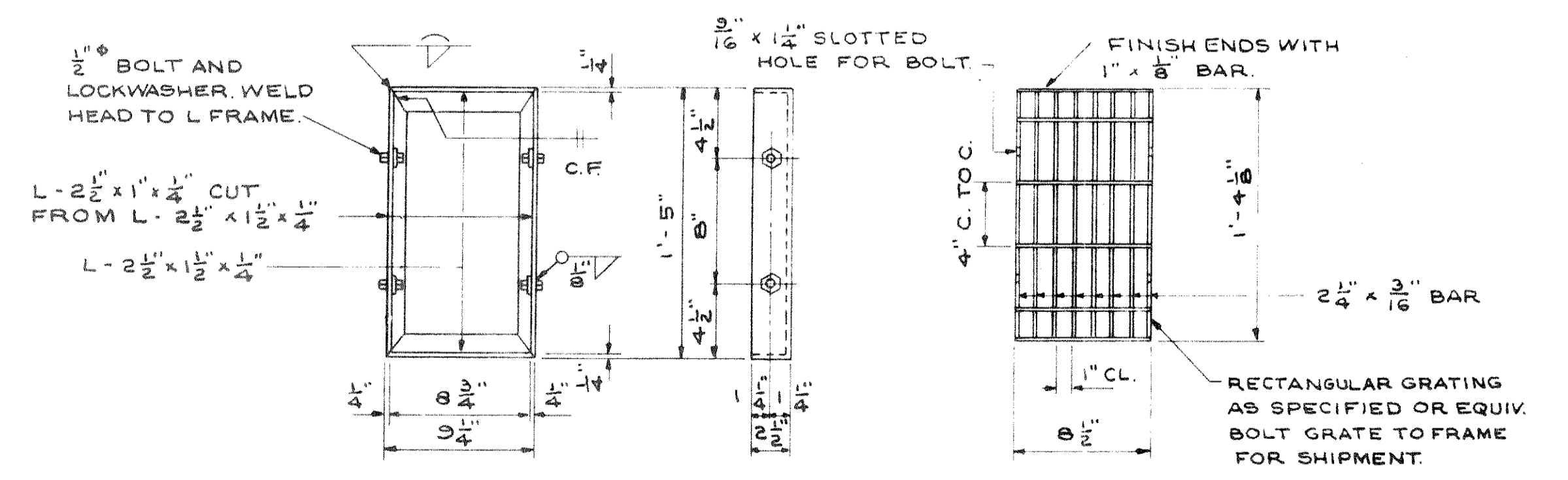
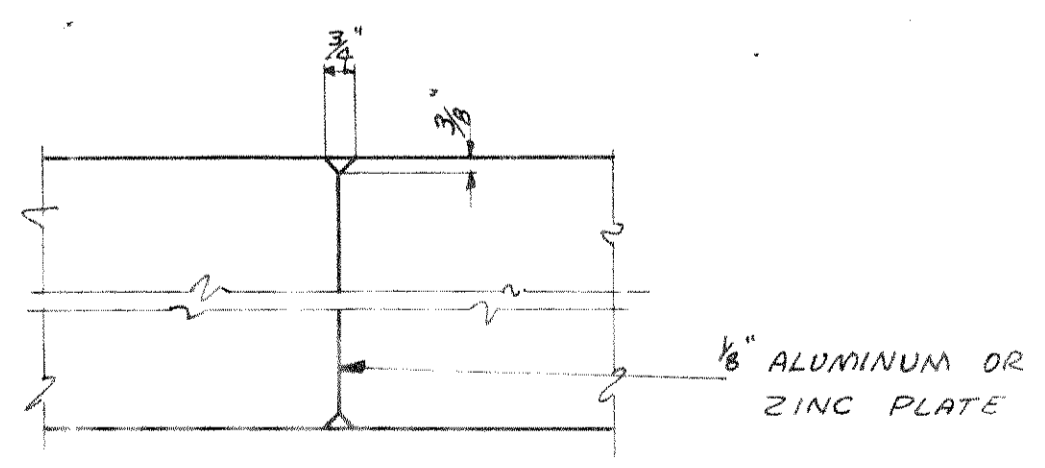


SECTION C2 THRU CURB

SECTION C2 THRU SDWK.

DETAIL AT RAIL POST

SECTION THRU DRAIN



FRAME

GRATE

DRAIN DETAILS

6 REQD

REVISED	STATE HIGHWAY COMMISSION OF WISCONSIN		
	RAILING AND DRAIN		
DESIGN FILE	AASHO '57	LOADING H20	1957
DATE	4-11-67	DESIGN STD	DRAWN BY CND
STRUCTURE	B -35 -12	SHEET	3 OF 5