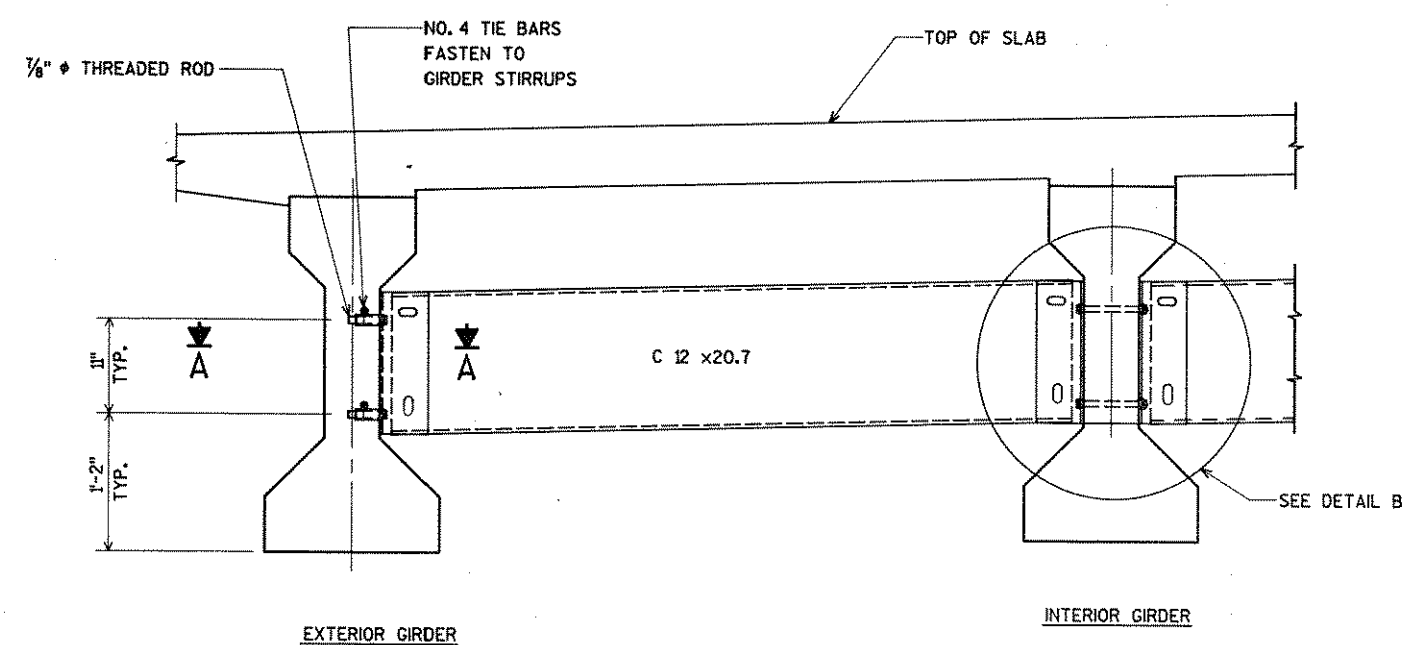


SUBSET: TRBRIDGE  
FILE NAME: 09231SUP

LEVELS ON 4,2,3,4,5,6,7,8,9,10,11,12,13,14,15,16,17,18,19,20,21,22,23,24,25,26,27,28,29,30,31,32,33,34,35,36,37,38,39,40,41,42,43,44,45,46,47,48,49,50,51,52,53,54,55,56,57,58,59,60,61,62,63



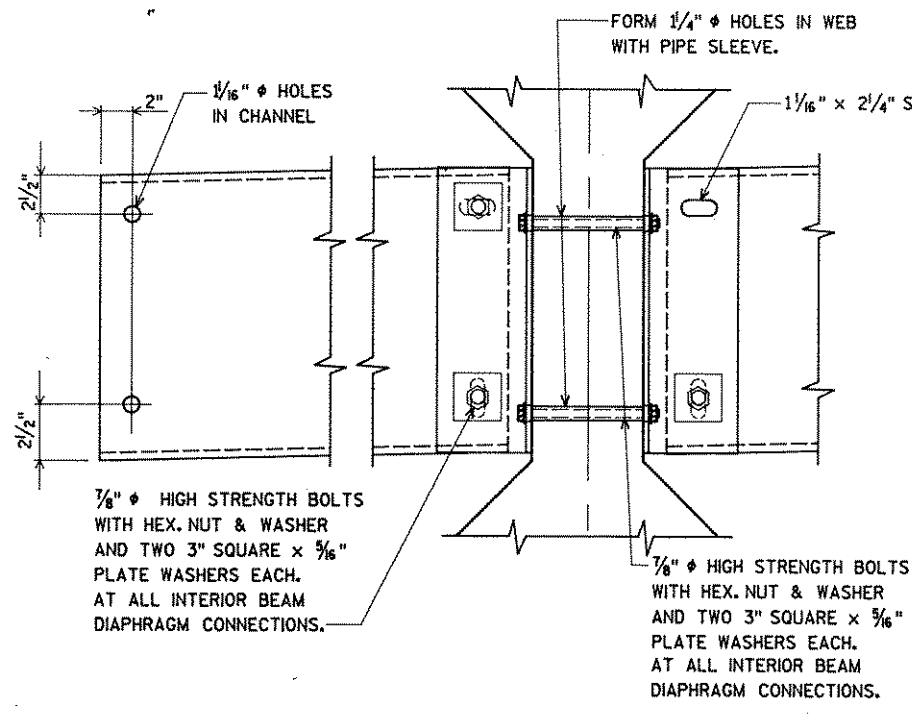
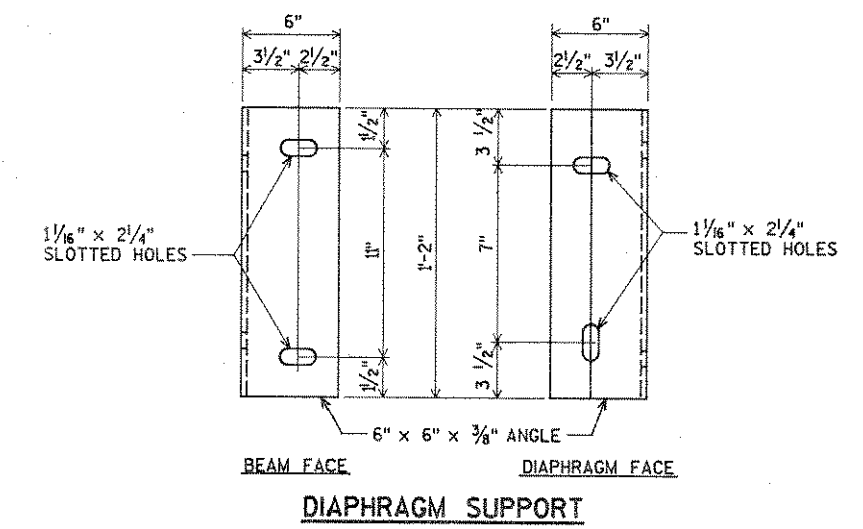
**PART TRANSVERSE SECTION AT DIAPHRAGM**

**NOTES FOR ALTERNATE DIAPHRAGM**

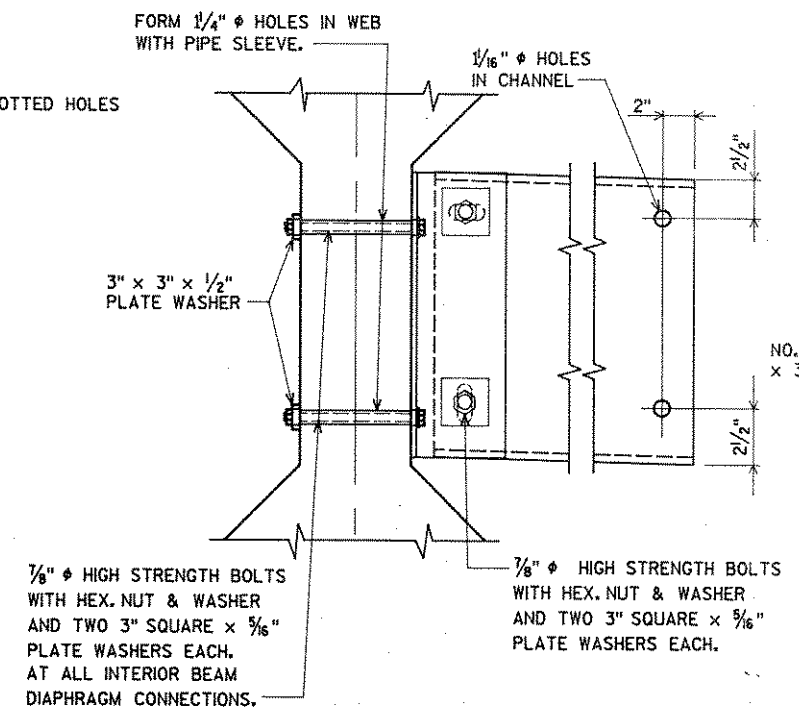
STEEL DIAPHRAGMS MAY BE USED IN LIEU OF CAST-IN-PLACE CONCRETE DIAPHRAGMS. NO ADDITIONAL PAYMENT WILL BE MADE IF STEEL DIAPHRAGMS ARE USED.

ALL DIAPHRAGM STRUCTURAL STEEL SHALL BE ASTM A36. ALL BOLTS, NUTS AND WASHERS SHALL BE ASTM A325 TYPE 1

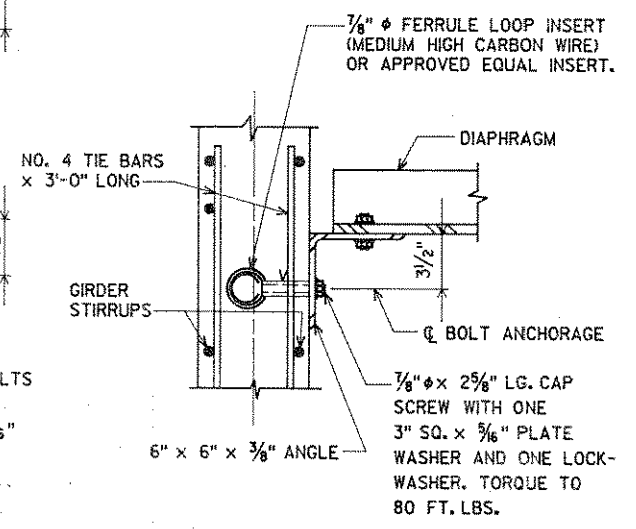
ALL DIAPHRAGM STRUCTURAL STEEL SHOWN SHALL BE HOT-DIPPED GALVANIZED. ALL BOLTS, NUTS AND WASHERS SHALL BE HOT-DIPPED GALVANIZED IN ACCORDANCE WITH ASTM A153 CLASS C. GALVANIZED NUTS SHALL BE TAPPED OVERSIZE IN ACCORDANCE WITH THE REQUIREMENTS OF ASTM A563 AND SHALL MEET THE REQUIREMENTS OF SUPPLEMENTARY REQUIREMENT SI OF ASTM A563, LUBRICANT AND TEST FOR COATED NUTS.



**DETAIL B**



**DETAIL B**



**SECTION A**

No.	Date	Revision	By
PLANS PREPARED BY			
<b>AYRES ASSOCIATES</b> Engineers/Architects Planners/Surveyors Owen Ayres & Associates Inc. Eau Claire, Wisconsin			
STATE OF WISCONSIN DEPARTMENT OF TRANSPORTATION			
STRUCTURE B-35-110			
Const. Spec.	1989	Drawn By G.L.D.	Plans Checked C.B.M.
ALT. STEEL INTER. DIAPHRAGM DETAILS			SHEET 5 OF 9
			X82833