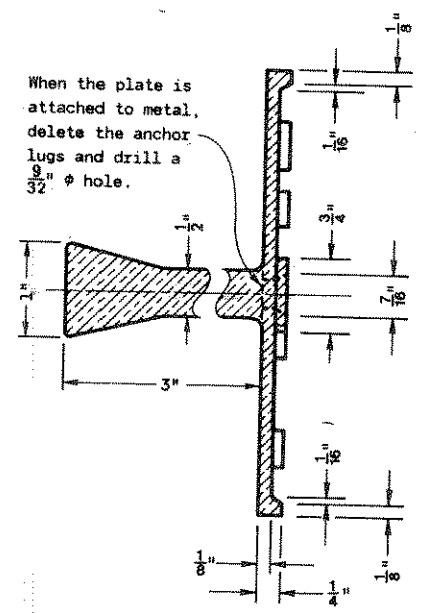
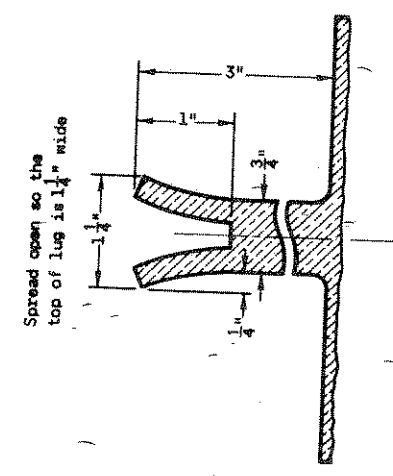


TYPICAL NAME PLATE
(BRIDGES, CULVERTS, AND RETAINING WALLS)



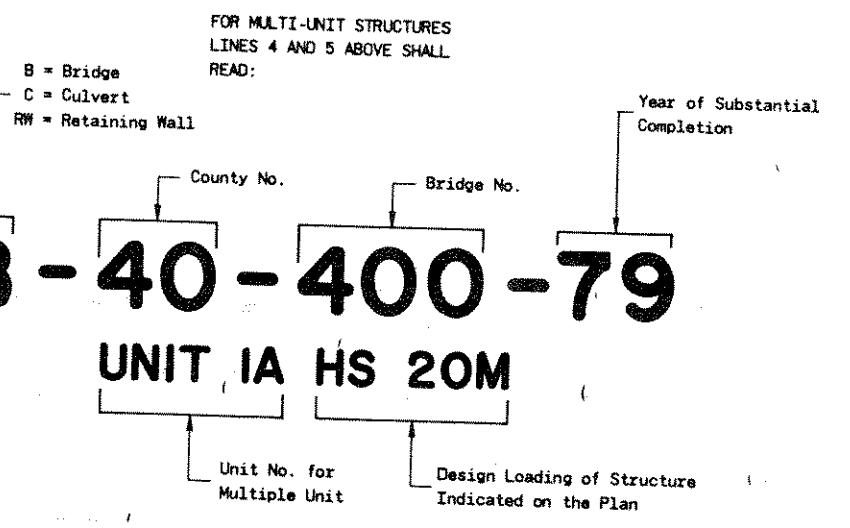
SECTION A-A



ALTERNATE LUG

When the plate is attached to metal, delete the anchor lugs and drill a $\frac{9}{32}$ " ϕ hole.

Spread open so the top of lug is $1\frac{1}{4}$ " wide



NUMBERING AND LOADING DESIGNATION
MULTI-UNIT STRUCTURES

GENERAL NOTES

Name Plates to be installed on Bridges, Culverts, and Retaining Walls shall conform to the requirements of Section 506.2.4 of the Standard Specifications.

The Bridge Number and Design Loading shown on this drawing are examples only. See Construction Plans for individual numbering and design loading.

NAME PLATE (STRUCTURES)	
State of Wisconsin Department of Transportation Division of Transportation Facilities	
APPROVED 9-27-79 DATE	<i>R. D. Thant</i> CHIEF DESIGN ENGINEER
FHWA	

S.D.D. 12A 3-4