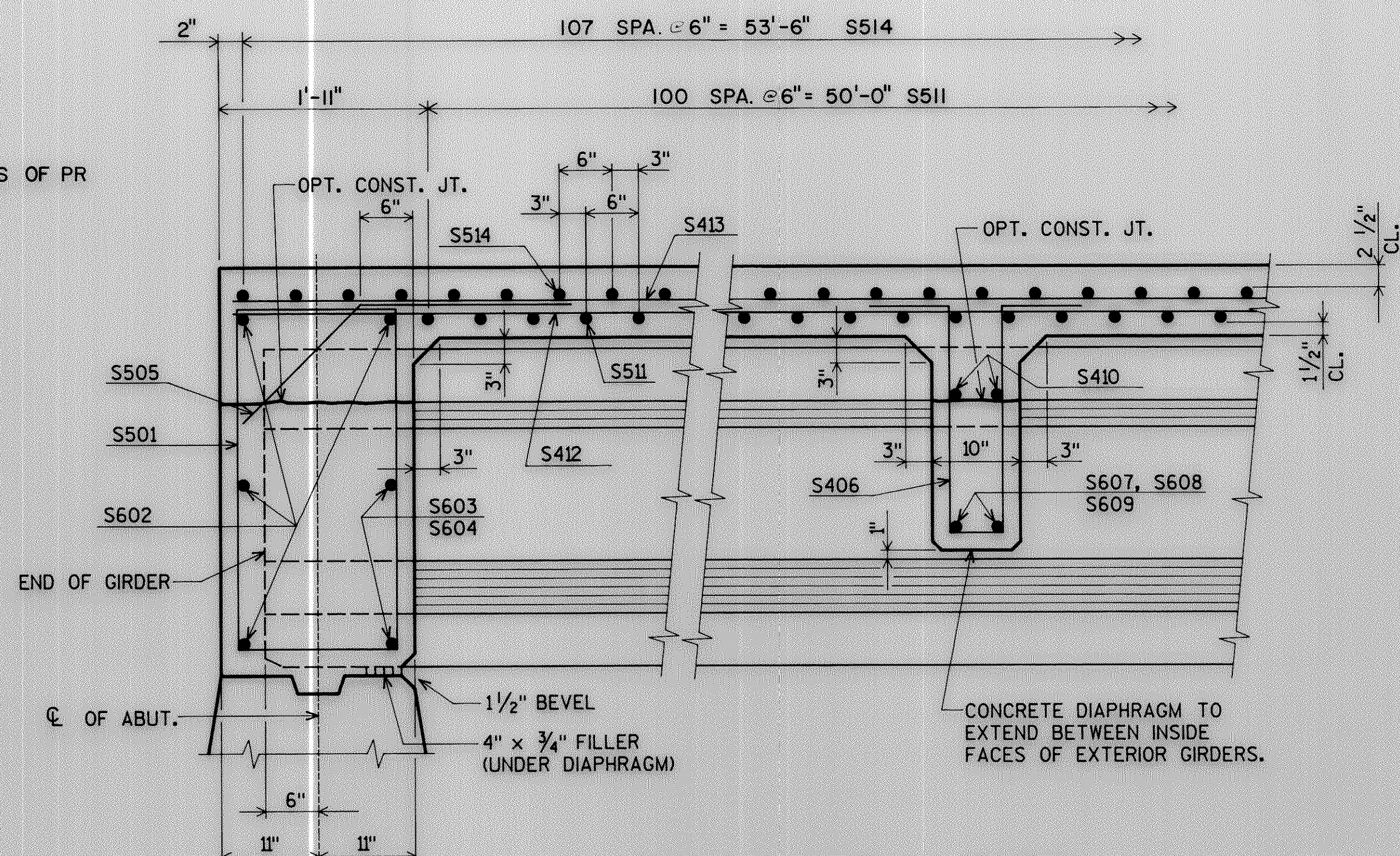


SUBSET: TRBRIDGE
FILE NAME: 0923ISUP

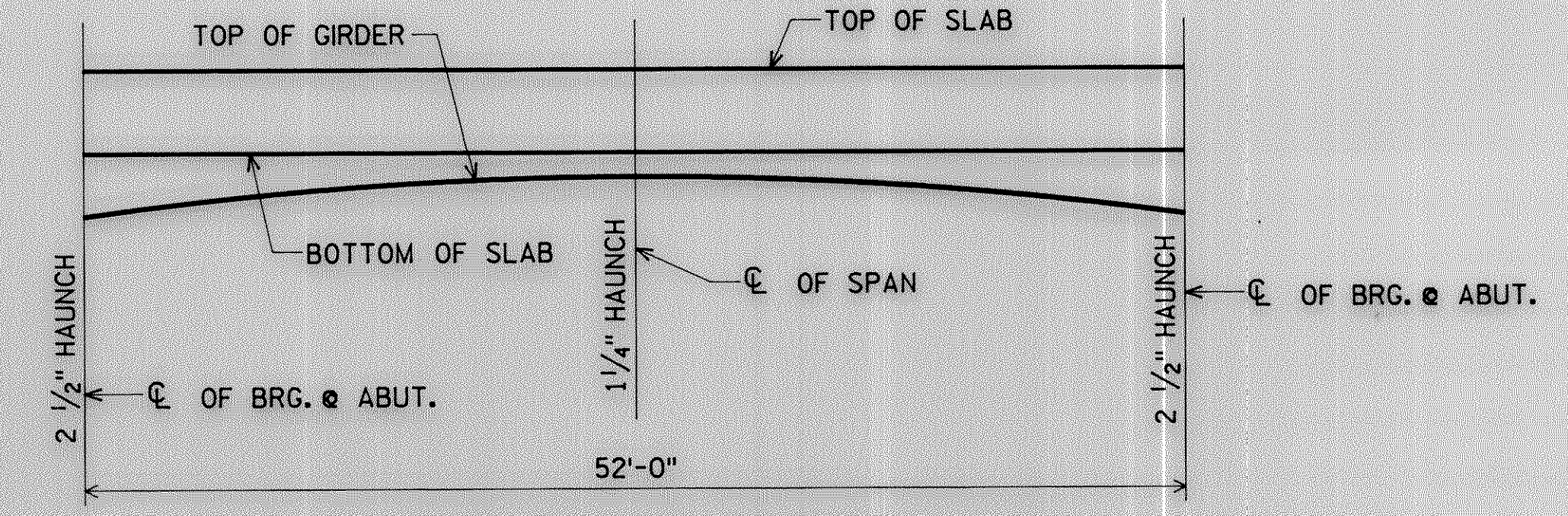
LEVELS ON 4,2,3,4,5,6,7,8,9,10,11,12,13,14,15,16,17,18,19,20,21,22,23,24,25,26,27,28,29,30,31,32,33,34,35,36,37,38,39,40,41,42,43,44,45,46,47,48,49,50,51,52,53,54,55,56,57,58,59,60,61,62,63

ALL SURFACES OF PR

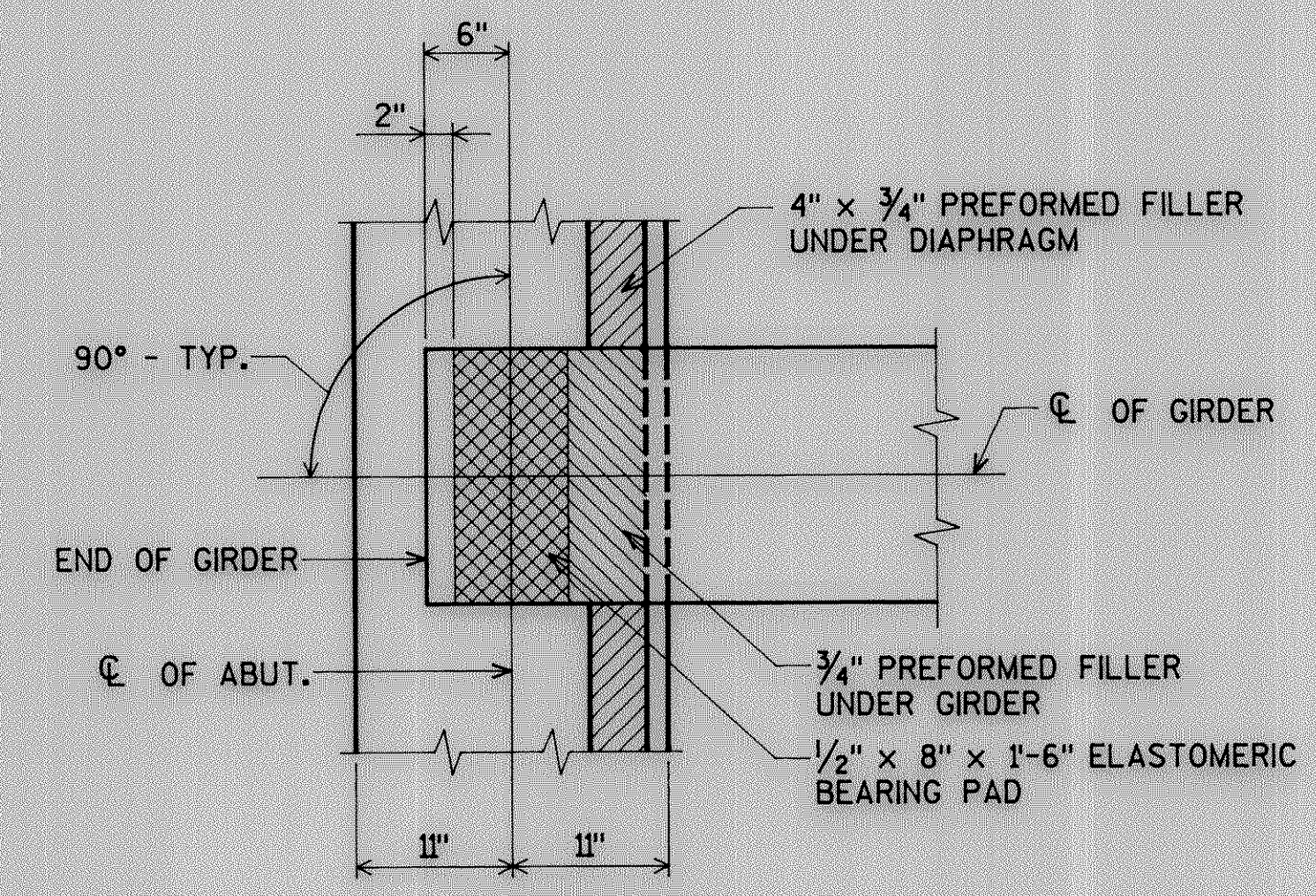


PART LONGITUDINAL SECTION

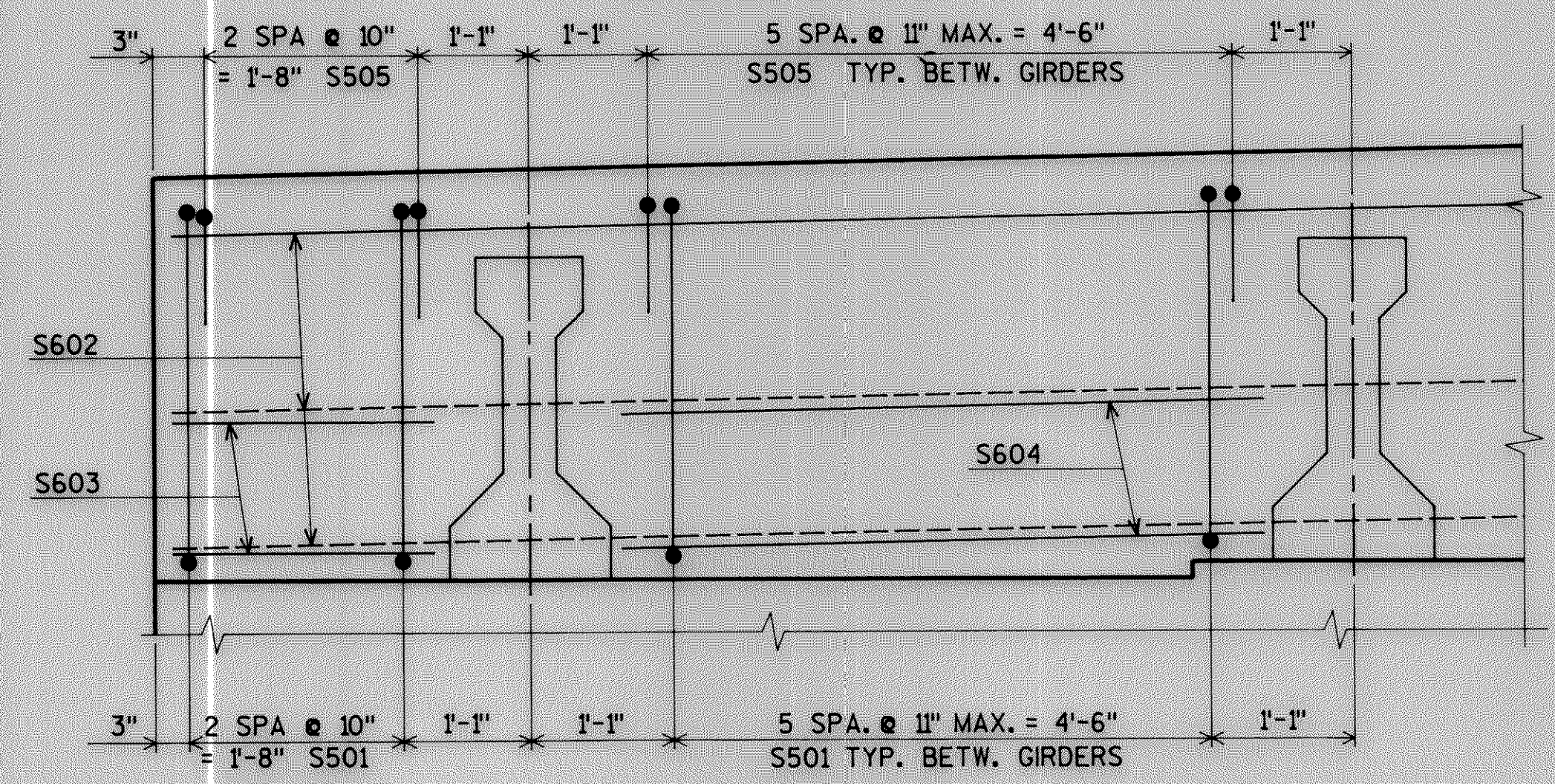
ALL SURFACES OF PRESTRESSED GIRDERS THAT WILL BE WITHIN THE LIMITS OF THE ABUTMENT CONCRETE DIAPHRAGM SHALL BE COATED WITH PARAFIN WAX.



SLAB FORMING DIAGRAM



BEARING PLAN



SECTION AT ABUTMENT

CHECKED BY: DATE:
BACK CHECKED BY: DATE:
CORRECTED BY: DATE:

No.	Date	Revision	By
PLANS PREPARED BY			
AYRES ASSOCIATES Engineers/Architects Planners/Surveyors Owen Ayres & Associates Inc. Eau Claire, Wisconsin			
STATE OF WISCONSIN DEPARTMENT OF TRANSPORTATION			
STRUCTURE B-35-110			
Const. Spec.	1989	Drawn By G.L.D.	Plans Checked C.B.M.
SUPERSTRUCTURE DETAILS			SHEET 8 OF 9
			X 02833