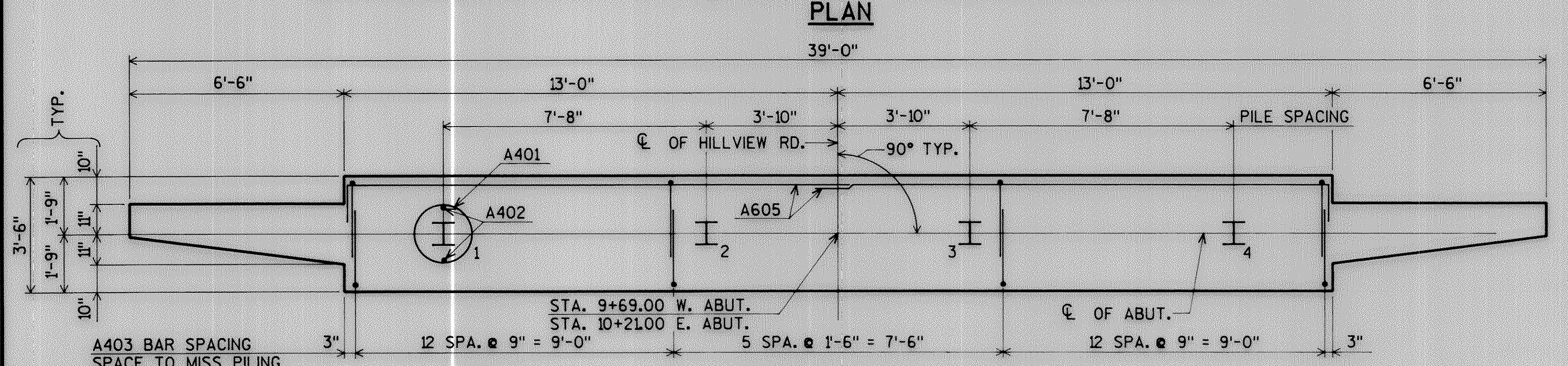
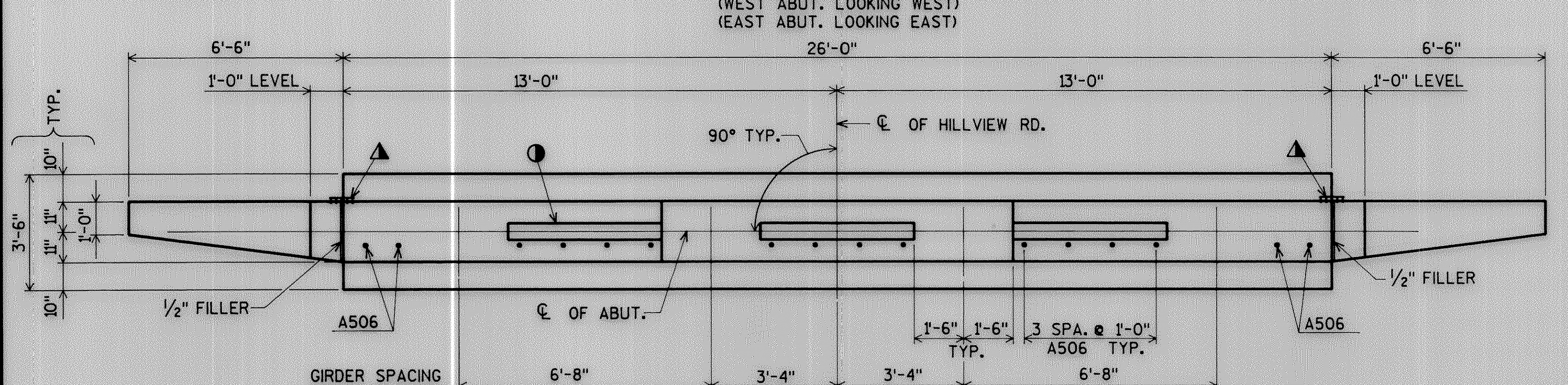
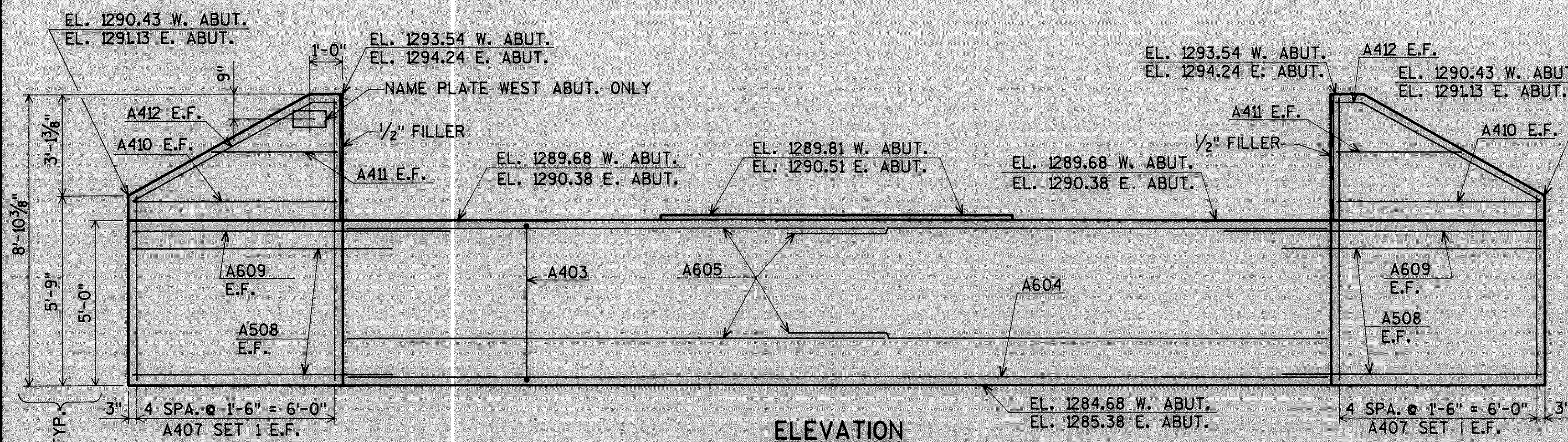


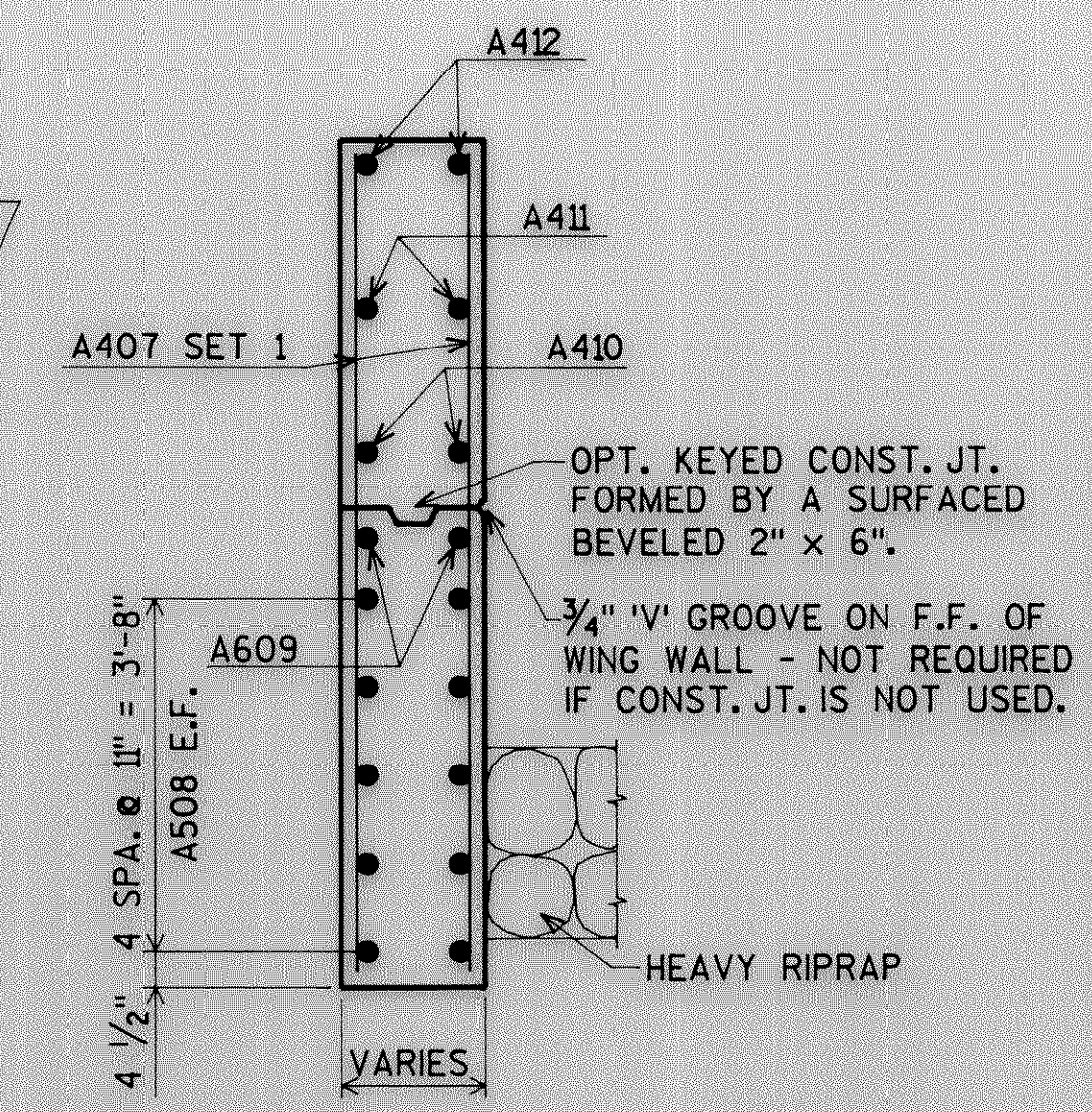
NOTE: SEAL ALL EXPOSED HORIZONTAL AND VERTICAL SURFACES OF 1/2" FILLER WITH NON-STAINING GRAY NON-BITUMINOUS JOINT SEALER. (1" DEEP AND HOLD 1/8" BELOW SURFACE OF CONCRETE.)



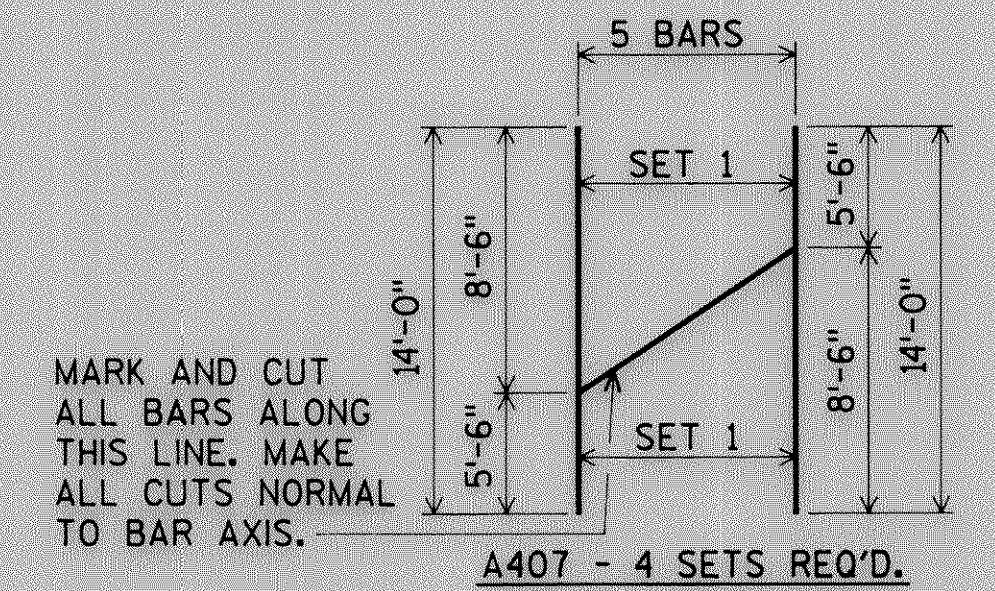
- KEYED CONST. JOINT - FORMED BY A SURFACED BEVELED 2" x 6".
- VERT. P.C.W. FROM BELOW BRIDGE SEAT TO TOP OF WING. SPLICE AT JUNCTION WITH HORIZ. WATERSTOP BY USING A HEATED SPLICING IRON. HOLD P.C.W. FLUSH WITH CONCRETE.
- P.C.W. DENOTES POLYVINYL CHLORIDE WATERSTOP. SEE SHEET 2 FOR DETAILS.
- FOR PILE SPLICE DETAIL SEE SHEET 2.
- SEAL ALL VERTICAL ENDS OF P.C.W. WITH NON-STAINING BITUMINOUS JOINT SEALER.

NOTE: TO ELIMINATE STEPPING & SPLICING OF THE WATERSTOP, THE TOP OF BODY MAY BE SLOPED BETWEEN THE LEVEL BEAM SEAT AREAS.

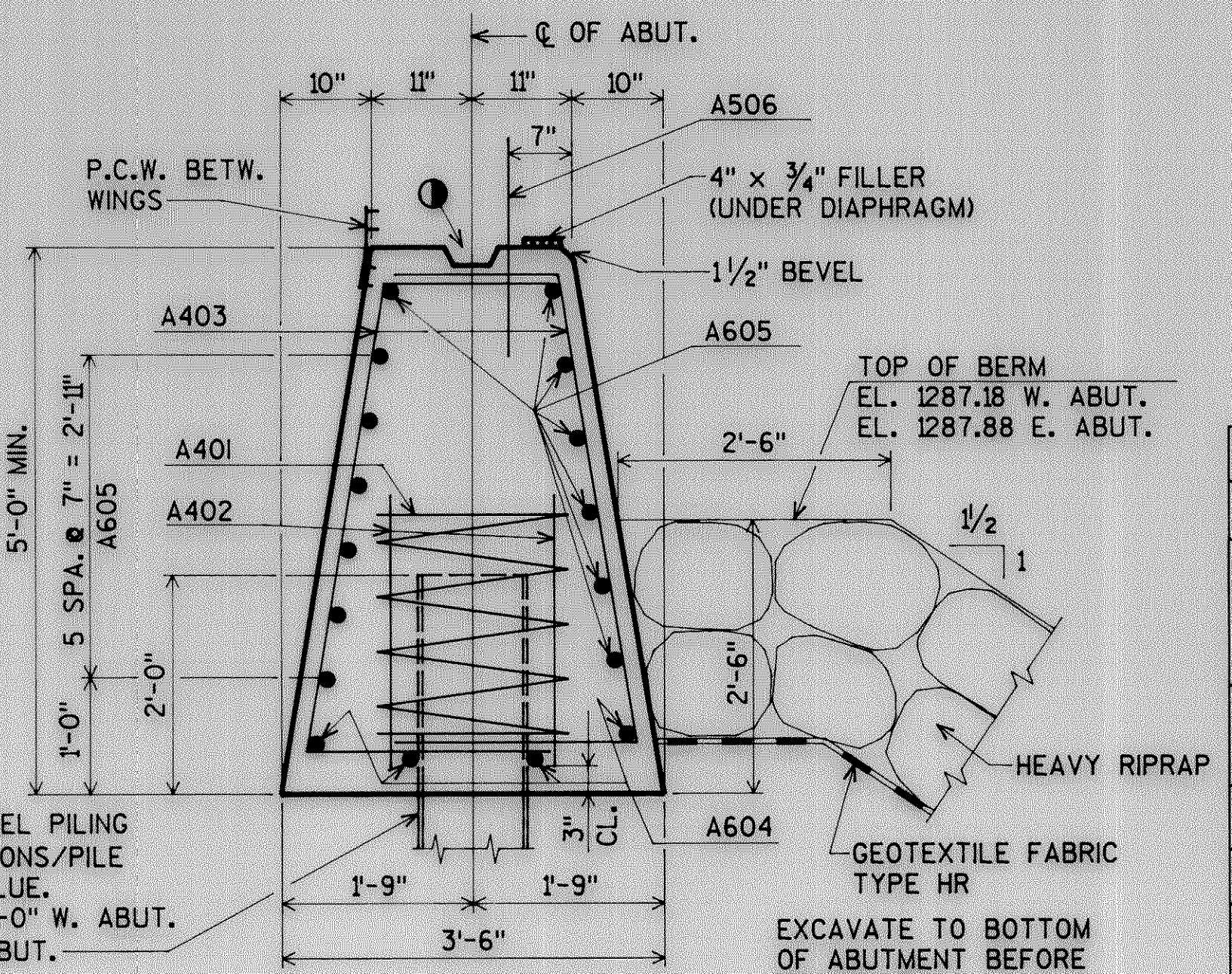
A506 BARS MAY BE PLACED AFTER ABUT. IS POURED BUT BEFORE CONC. HAS SET. IMBED BARS 1'-0".



TYP. SECTION THRU WING



CUTTING DIAGRAM



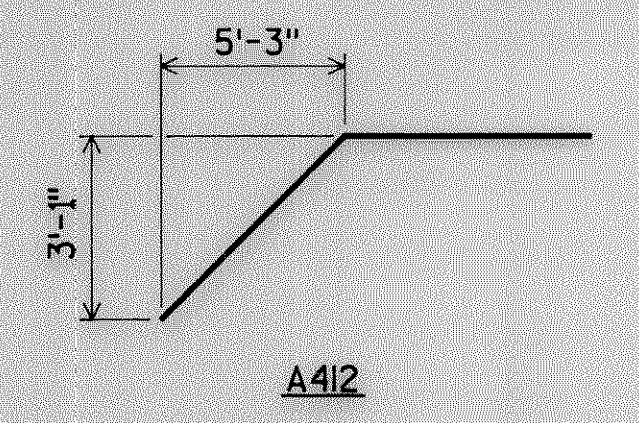
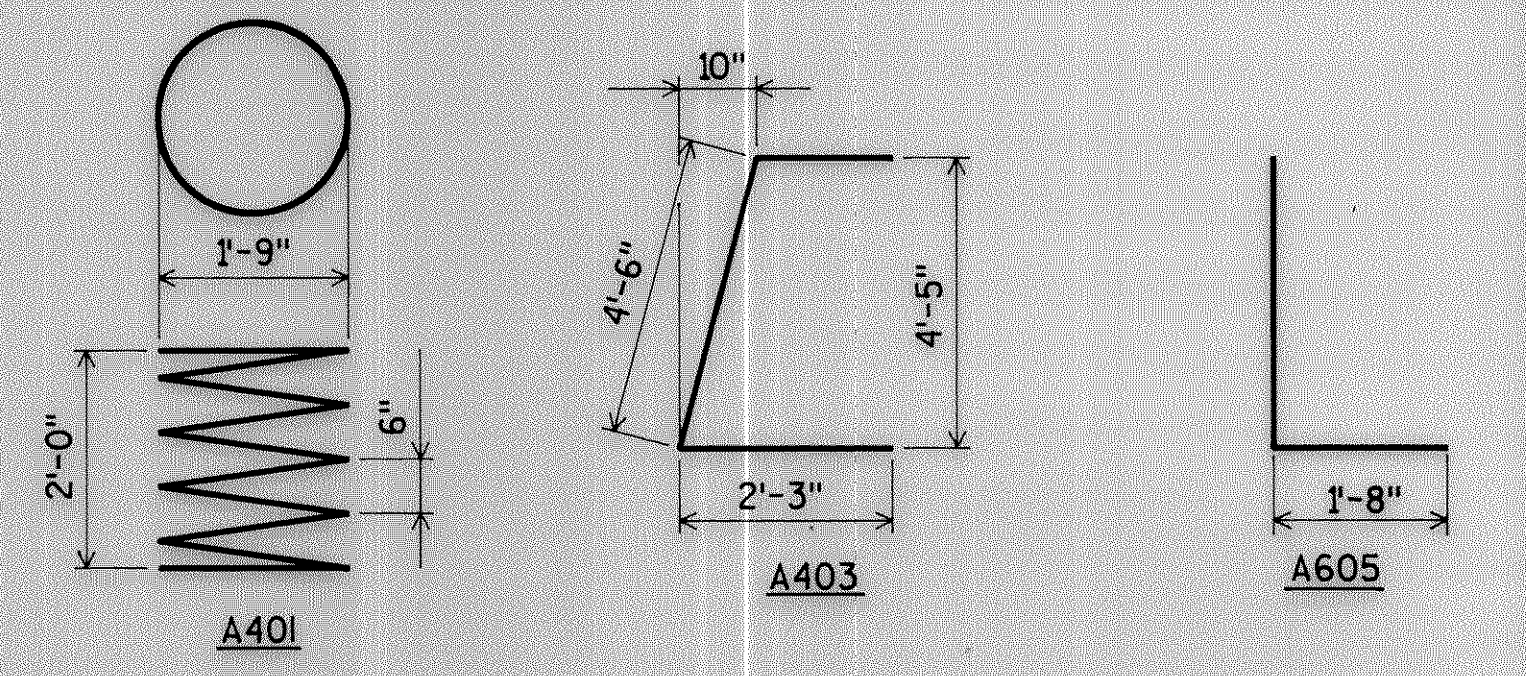
SECTION THRU BODY

BILL OF BARS

(FOR ONE ABUTMENT ONLY)

BAR NO.	NO. REQ'D.	LENGTH	BENT BAR	COATED BAR	CUT. DIAG.	LOCATION
1,580* UNCOATED						
A401	4	28'-0"	X			BODY PILES
A402	8	2'-3"				BODY PILES
A403	60	8'-3"	X			BODY VERT.
A604	4	25'-8"				BODY HORIZ.
A605	26	15'-10"	X			BODY HORIZ.
A506	16	2'-0"				BODY DOWELS
A407	10	14'-0"	X			WINGS VERT. E.F. SET 1
A508	20	7'-10"				WINGS HORIZ. E.F.
A609	4	9'-7"				WINGS HORIZ. E.F.
A410	4	6'-2"				WINGS HORIZ. E.F.
A411	4	3'-9"				WINGS HORIZ. E.F.
A412	4	6'-10"	X			WINGS DIAG. E.F.

BENDING DIMENSIONS ARE OUT TO OUT OF BARS.  
B.F. DENOTES BACK FACE.  
F.F. DENOTES FRONT FACE.  
E.F. DENOTES EACH FACE.



No.	Date	Revision	By
PLANS PREPARED BY			
<b>AYRES ASSOCIATES</b> Engineers/Architects Planners/Surveyors Owen Ayres & Associates Inc. Eau Claire, Wisconsin			
STATE OF WISCONSIN DEPARTMENT OF TRANSPORTATION			
STRUCTURE B-35-110			
Const. Spec.	1989	Drawn By G.L.D.	Plans Checked C.B.M.
ABUTMENTS			SHEET 4 OF 9
X 82833			

SUBSET: TRBRIDGE FILE NAME: 09231ABUT  
LEVELS ON 4,2,3,4,5,6,7,8,9,10,11,12,13,14,15,16,17,18,19,20,21,22,23,24,25,26,27,28,29,30,31,32,33,34,35,36,37,38,39,40,41,42,43,44,45,46,47,48,49,50,51,52,53,54,55,56,57,58,59,60,61,62,63  
CHECKED BY: DATE: BACK CHECKED BY: DATE: CORRECTED BY: DATE: