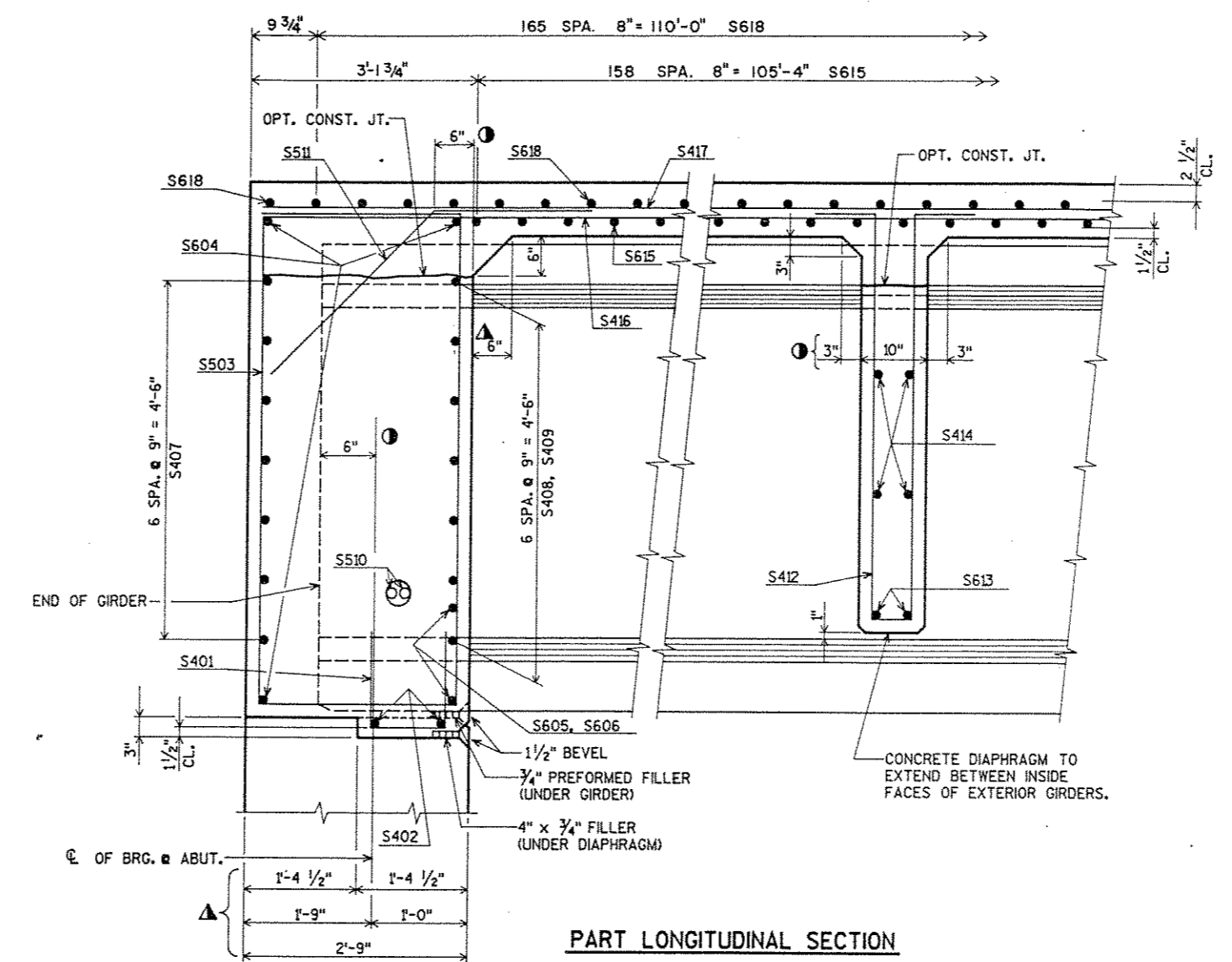


SUBSET: TRBRIDGE  
FILE NAME: 09232SUP

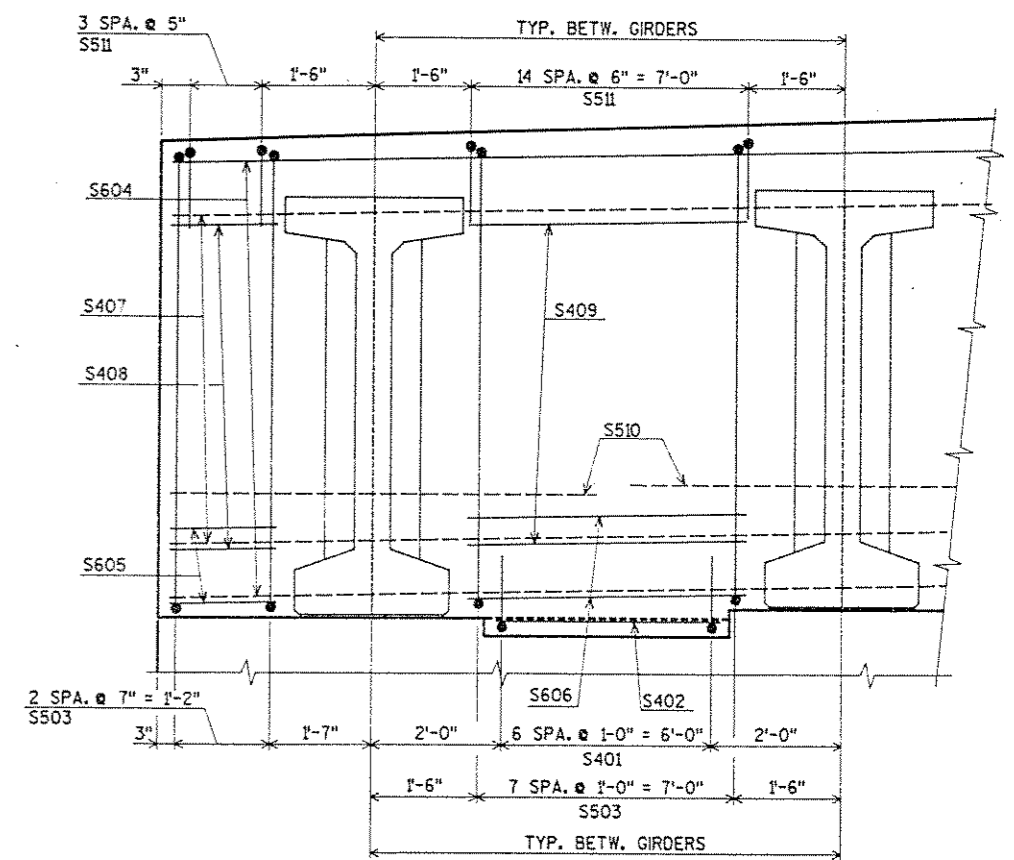
CHECKED BY: \_\_\_\_\_ DATE: \_\_\_\_\_  
 BACK CHECK: \_\_\_\_\_ DATE: \_\_\_\_\_  
 CORRECTED BY: \_\_\_\_\_ DATE: \_\_\_\_\_

LEVELS ON 1, 2, 3, 4, 5, 6, 7, 8, 9, 10, 11, 12, 13, 14, 15, 16, 17, 18, 19, 20, 21, 22, 23, 24, 25, 26, 27, 28, 29, 30, 31, 32, 33, 34, 35, 36, 37, 38, 39, 40, 41, 42, 43, 44, 45, 46, 47, 48, 49, 50, 51, 52, 53, 54, 55, 56, 57, 58, 59, 60, 61, 62, 63



**PART LONGITUDINAL SECTION**

- DIMENSIONS MEASURED ALONG  $\bar{C}$  OF GIRDER.
- ▲ DIMENSIONS MEASURED NORMAL TO  $\bar{C}$  OF SUBSTRUCTURE UNIT.



**PART SECTION AT ABUTMENT**

No.	Date	Revision	By
PLANS PREPARED BY <b>AYRES ASSOCIATES</b> Engineers/Architects Planners/Surveyors Owen Ayres & Associates Inc. Eau Claire, Wisconsin			
STATE OF WISCONSIN DEPARTMENT OF TRANSPORTATION			
STRUCTURE		B-35-III	
Const. Spec.	1989	Drawn By	G.L.D.
		Plane Checked	C.B.M.
SUPERSTRUCTURE DETAILS			SHEET 12 OF 13
			X 82834