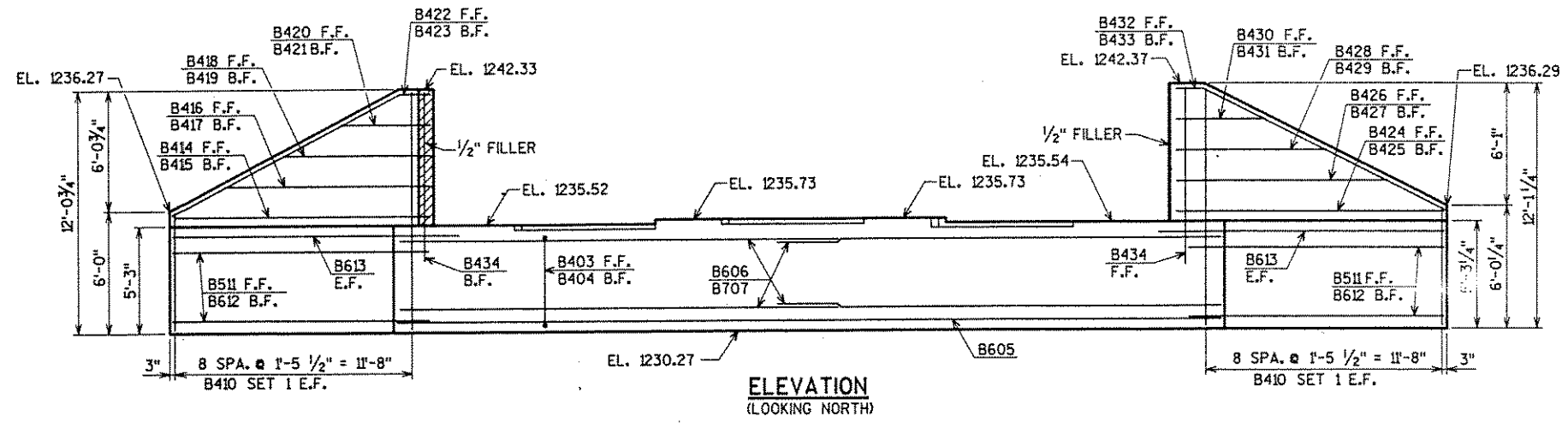
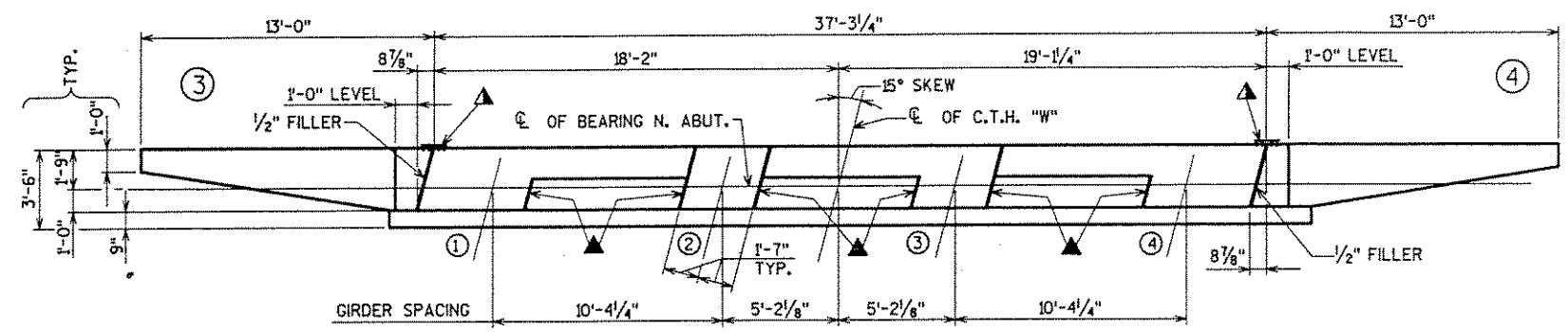


NOTE: SEAL ALL EXPOSED HORIZONTAL AND VERTICAL SURFACES OF 1/2" FILLER WITH NON-STAINING GRAY NON-BITUMINOUS JOINT SEALER. (1" DEEP AND HOLD 1/8" BELOW SURFACE OF CONCRETE.)

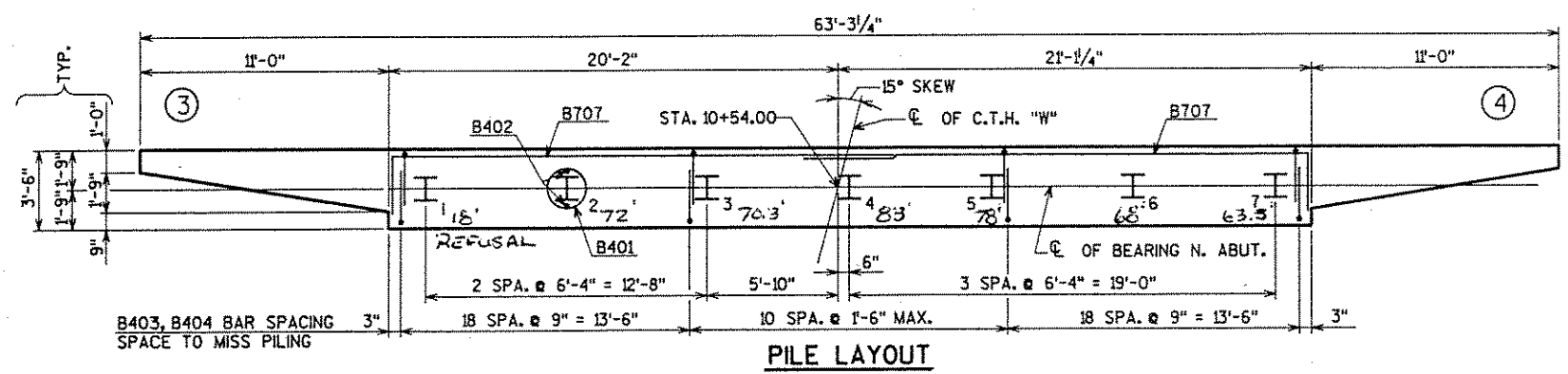


ELEVATION (LOOKING NORTH)

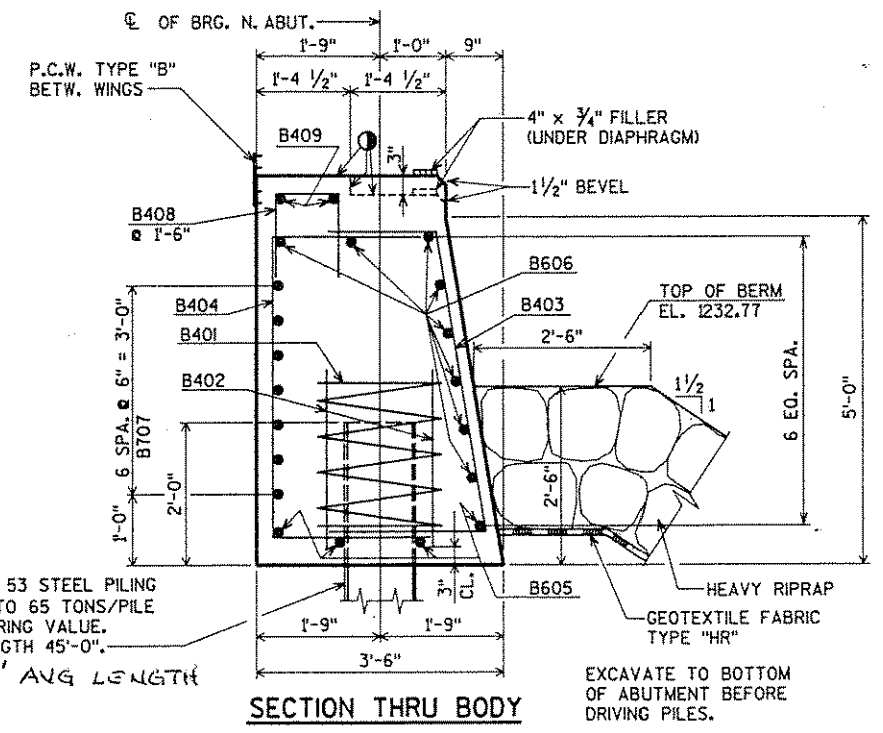
NOTE: TO ELIMINATE STEPPING & SPLICING OF THE WATERSTOP, THE TOP OF BODY MAY BE SLOPED BETWEEN THE LEVEL BEAM SEAT AREAS.



PLAN



PILE LAYOUT



SECTION THRU BODY

HP 12 x 53 STEEL PILING DRIVEN TO 65 TONS/PILE MIN. BEARING VALUE. EST. LENGTH 45'-0". 64.7' AVG LENGTH

● STEEL TROWEL TOP SURFACE OF ABUTMENTS. PLACE MULTIPLE LAYERS OF POLYETHELENE SHEETS OVER ENTIRE ABUTMENT TOP BEFORE PLACING BEARING PADS AND SUPERSTRUCTURE. TOTAL THICKNESS OF SHEETS SHALL BE AT LEAST 0.03".

▲ 3/4" CORK FILLER ON VERT. FACE ONLY.

▲ VERT. P.C.W. TYPE 'A' FROM BRIDGE SEAT TO TOP OF WING. SPLICE AT JUNCTION WITH HORIZ. WATERSTOP BY USING A HEATED SPLICING IRON. HOLD P.C.W. FLUSH WITH CONCRETE.

P.C.W. DENOTES POLYVINYL CHLORIDE WATERSTOP. SEE SHEET 2 FOR DETAILS. FOR PILE SPLICE DETAIL SEE SHEET 2.

SEAL ALL VERTICAL ENDS OF P.C.W. WITH NON-STAINING BITUMINOUS JOINT SEALER.

No.	Date	Revision	By
PLANS PREPARED BY			
AYRES ASSOCIATES Engineers/Architects Planners/Surveyors			
Owen Ayres & Associates Inc. Eau Claire, Wisconsin			
STATE OF WISCONSIN DEPARTMENT OF TRANSPORTATION			
STRUCTURE B-35-III			
Const. Spec.	1989	Drawn By G.L.D.	Plans Checked C.B.M.
NORTH ABUTMENT			SHEET 5 OF 13
			X 82834

SUBSET: TRBRIDGE FILE NAME: 09232ABUT

DATE: DATE: BACK CHECKED BY: CORRECTED BY:

LEVELS ON 4,2,3,4,5,6,7,8,9,10,11,12,13,14,15,16,17,18,19,20,21,22,23,24,25,26,27,28,29,30,31,32,33,34,35,36,37,38,39,40,41,42,43,44,45,46,47,48,49,50,51,52,53,54,55,56,57,58,59,60,61,62,63