

**LEGEND**

1. ALL WELDS TO BE MADE IN ACCORDANCE WITH THE WELDED FLANGE, FOR STEEL WELDED TO STEEL OR WELDED TO CAST IRON. SLOPE OF WELDS TO BE 1/4" PER 1" UNLESS OTHERWISE SPECIFIED. ALL WELDS TO BE MADE IN ACCORDANCE WITH THE WELDED FLANGE, FOR STEEL WELDED TO STEEL OR WELDED TO CAST IRON. SLOPE OF WELDS TO BE 1/4" PER 1" UNLESS OTHERWISE SPECIFIED.

2. ALL WELDS TO BE MADE IN ACCORDANCE WITH THE WELDED FLANGE, FOR STEEL WELDED TO STEEL OR WELDED TO CAST IRON. SLOPE OF WELDS TO BE 1/4" PER 1" UNLESS OTHERWISE SPECIFIED.

3. ALL WELDS TO BE MADE IN ACCORDANCE WITH THE WELDED FLANGE, FOR STEEL WELDED TO STEEL OR WELDED TO CAST IRON. SLOPE OF WELDS TO BE 1/4" PER 1" UNLESS OTHERWISE SPECIFIED.

4. ALL WELDS TO BE MADE IN ACCORDANCE WITH THE WELDED FLANGE, FOR STEEL WELDED TO STEEL OR WELDED TO CAST IRON. SLOPE OF WELDS TO BE 1/4" PER 1" UNLESS OTHERWISE SPECIFIED.

5. ALL WELDS TO BE MADE IN ACCORDANCE WITH THE WELDED FLANGE, FOR STEEL WELDED TO STEEL OR WELDED TO CAST IRON. SLOPE OF WELDS TO BE 1/4" PER 1" UNLESS OTHERWISE SPECIFIED.

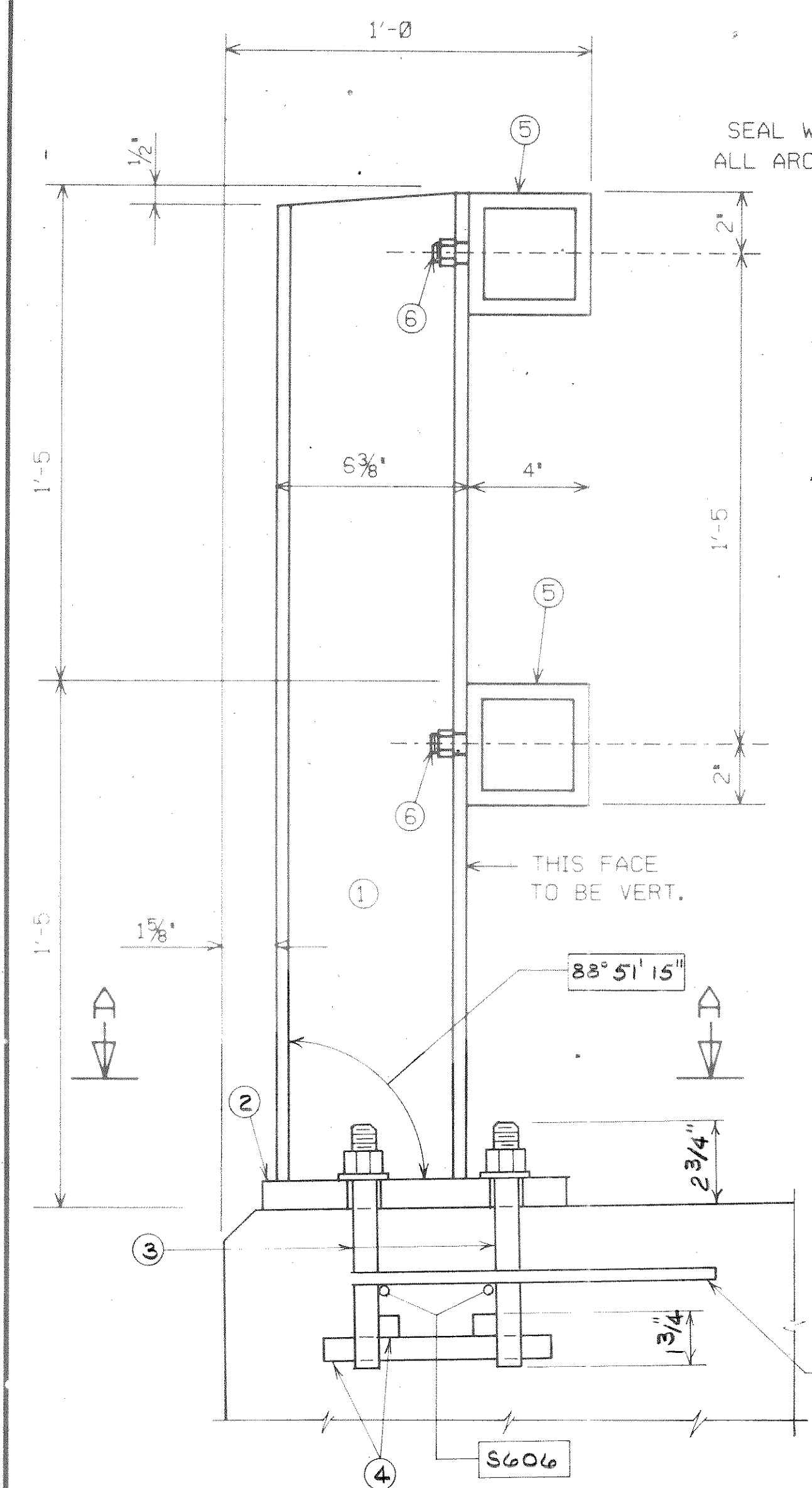
6. ALL WELDS TO BE MADE IN ACCORDANCE WITH THE WELDED FLANGE, FOR STEEL WELDED TO STEEL OR WELDED TO CAST IRON. SLOPE OF WELDS TO BE 1/4" PER 1" UNLESS OTHERWISE SPECIFIED.

7. ALL WELDS TO BE MADE IN ACCORDANCE WITH THE WELDED FLANGE, FOR STEEL WELDED TO STEEL OR WELDED TO CAST IRON. SLOPE OF WELDS TO BE 1/4" PER 1" UNLESS OTHERWISE SPECIFIED.

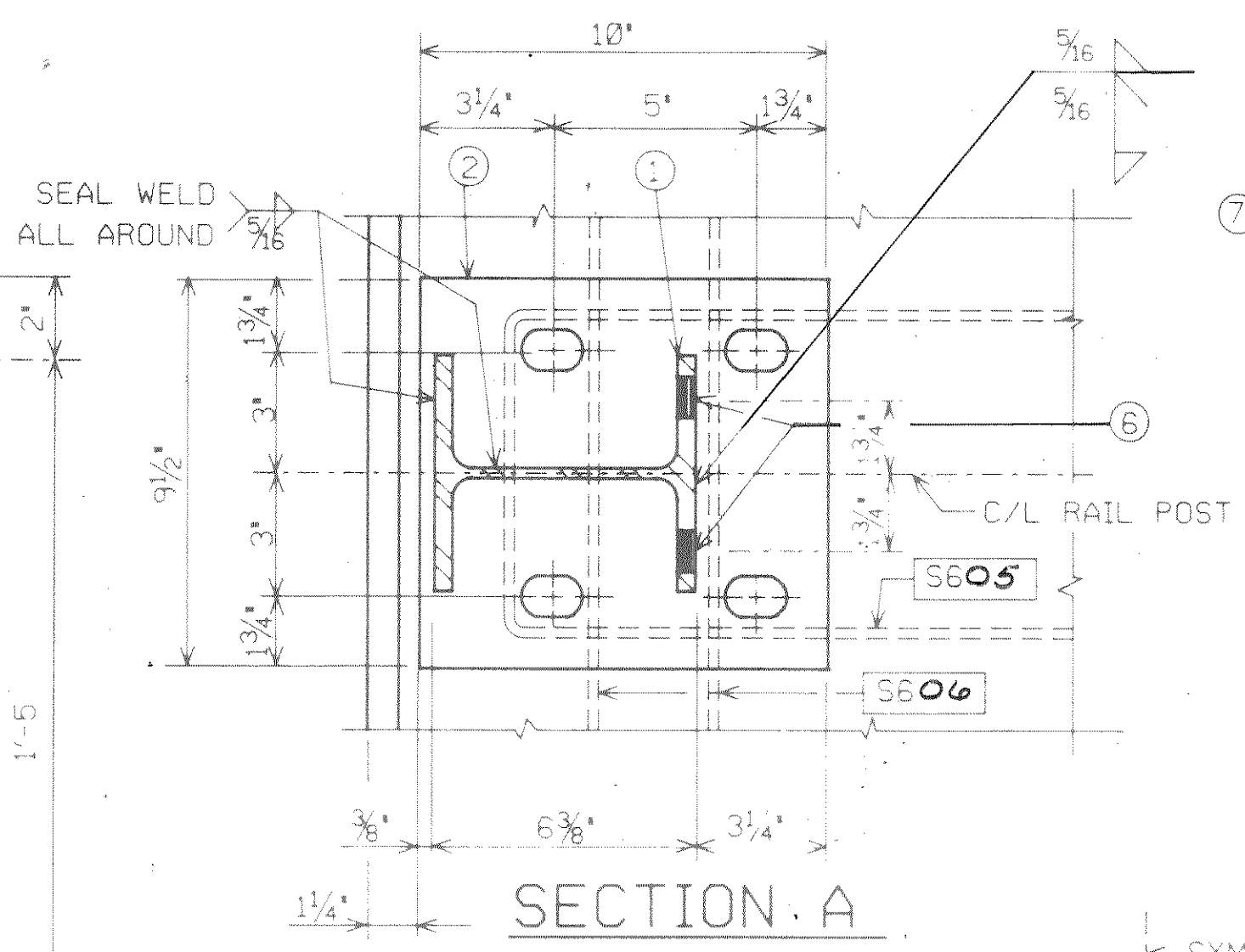
8. ALL WELDS TO BE MADE IN ACCORDANCE WITH THE WELDED FLANGE, FOR STEEL WELDED TO STEEL OR WELDED TO CAST IRON. SLOPE OF WELDS TO BE 1/4" PER 1" UNLESS OTHERWISE SPECIFIED.

9. ALL WELDS TO BE MADE IN ACCORDANCE WITH THE WELDED FLANGE, FOR STEEL WELDED TO STEEL OR WELDED TO CAST IRON. SLOPE OF WELDS TO BE 1/4" PER 1" UNLESS OTHERWISE SPECIFIED.

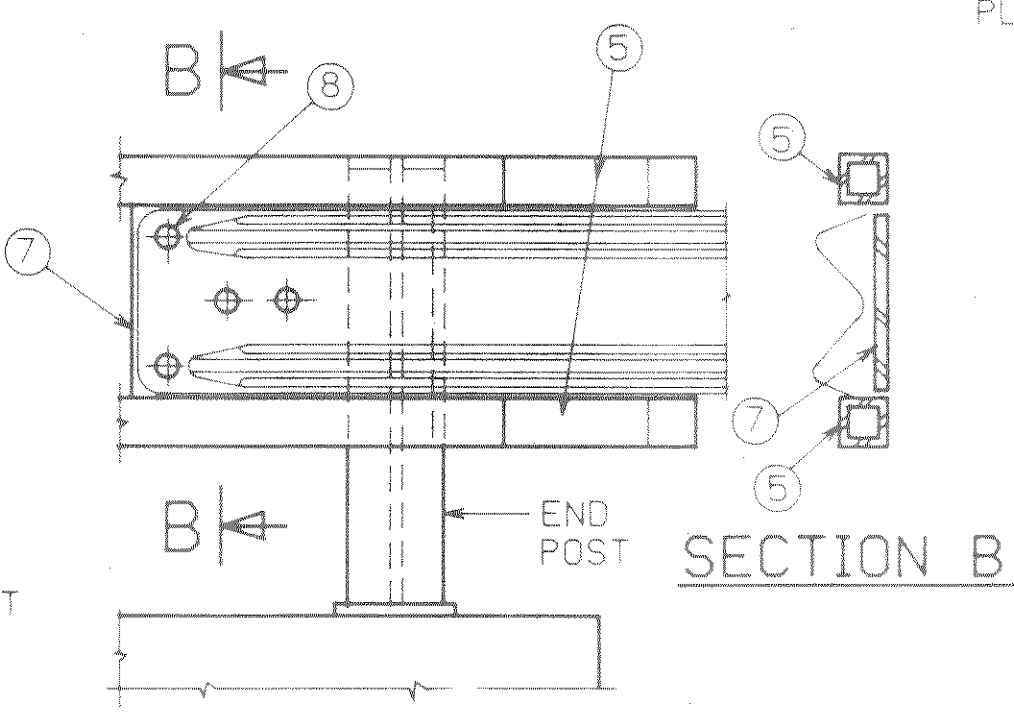
10. ALL WELDS TO BE MADE IN ACCORDANCE WITH THE WELDED FLANGE, FOR STEEL WELDED TO STEEL OR WELDED TO CAST IRON. SLOPE OF WELDS TO BE 1/4" PER 1" UNLESS OTHERWISE SPECIFIED.



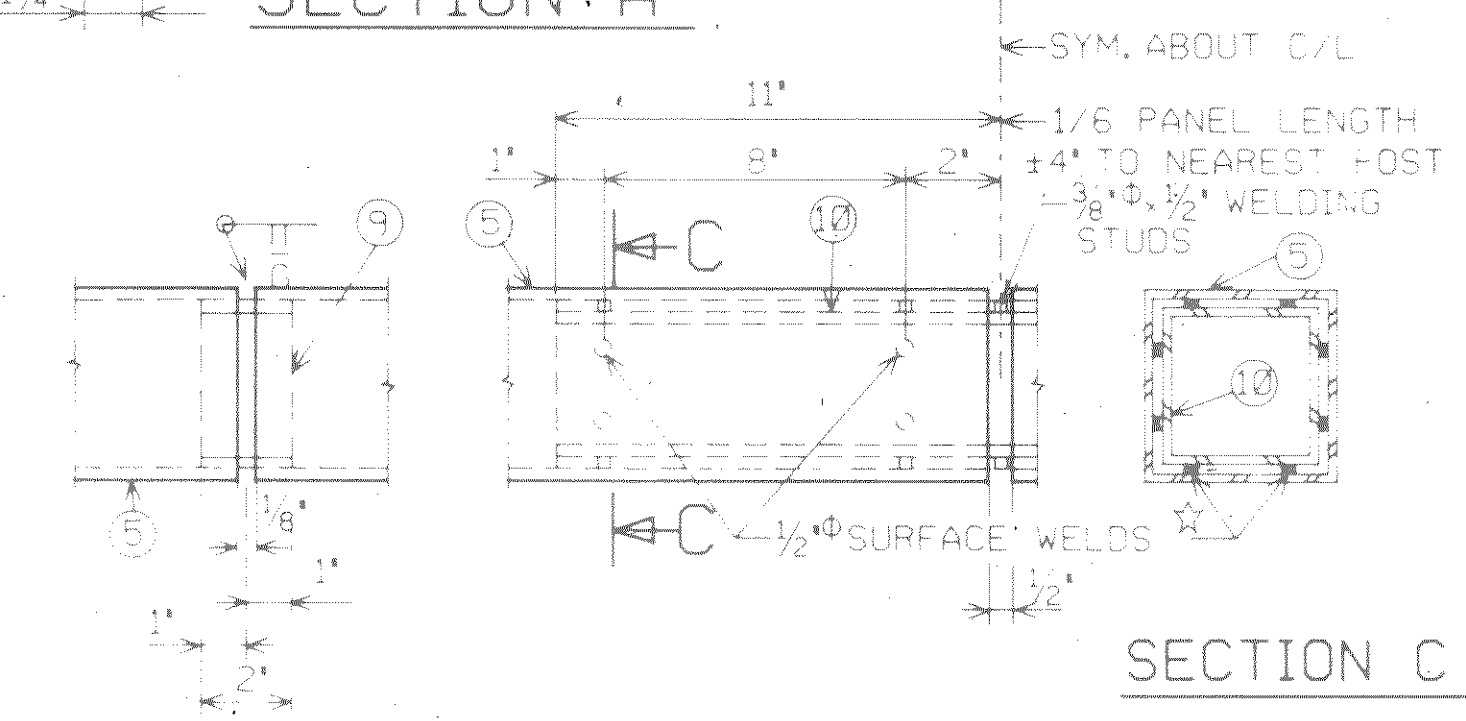
**SECTION THRU RAILING**



**SECTION A**



**DETAIL AT END POST**  
(BEAM GUARD RAIL ATTACHMENT)



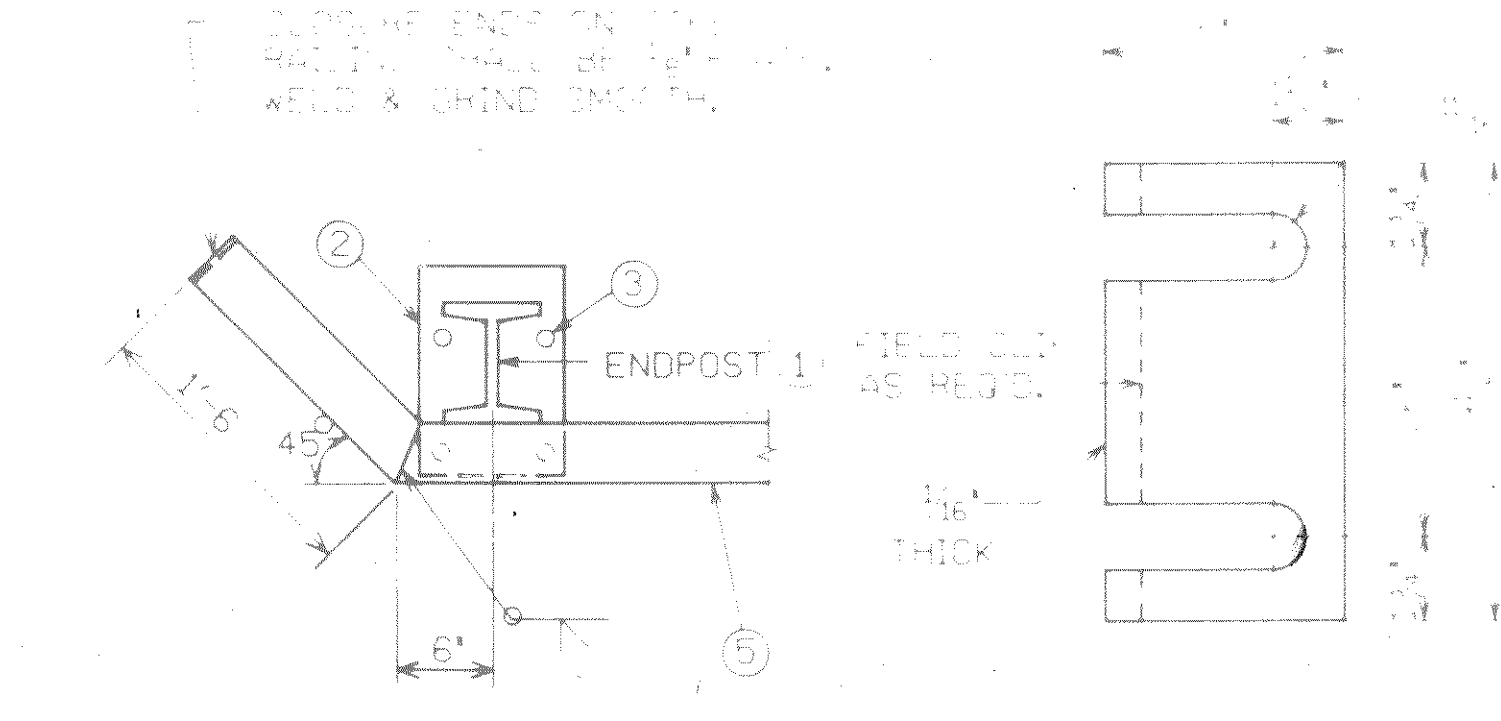
**SECTION C**

**SHOP RAIL SPLICE DETAIL**

(LOCATION MUST BE SHOWN ON SHOP DRAWINGS)

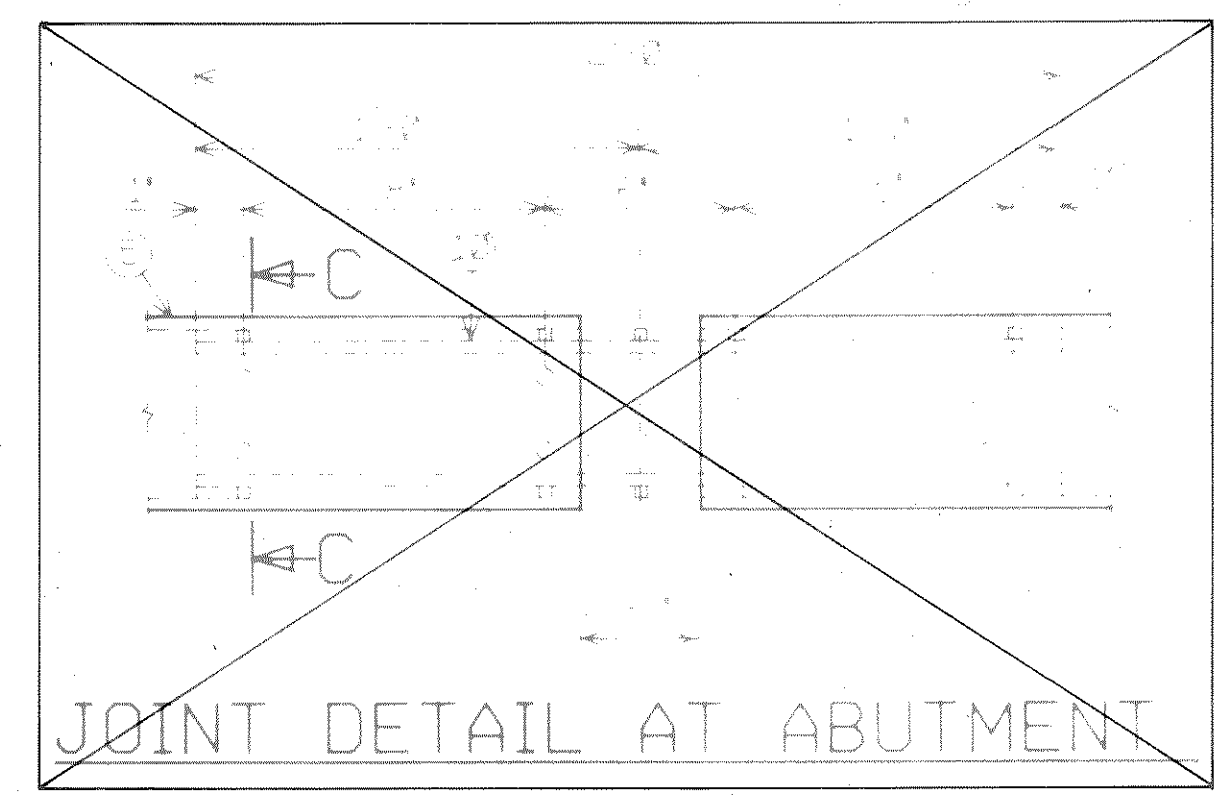
**FIELD ERECTION JOINT DETAIL**

\* MIN. 1/8" FLAT SURFACE DIA. FINISHES OR STUDS MAY BE USED AS AN ALTERNATE.

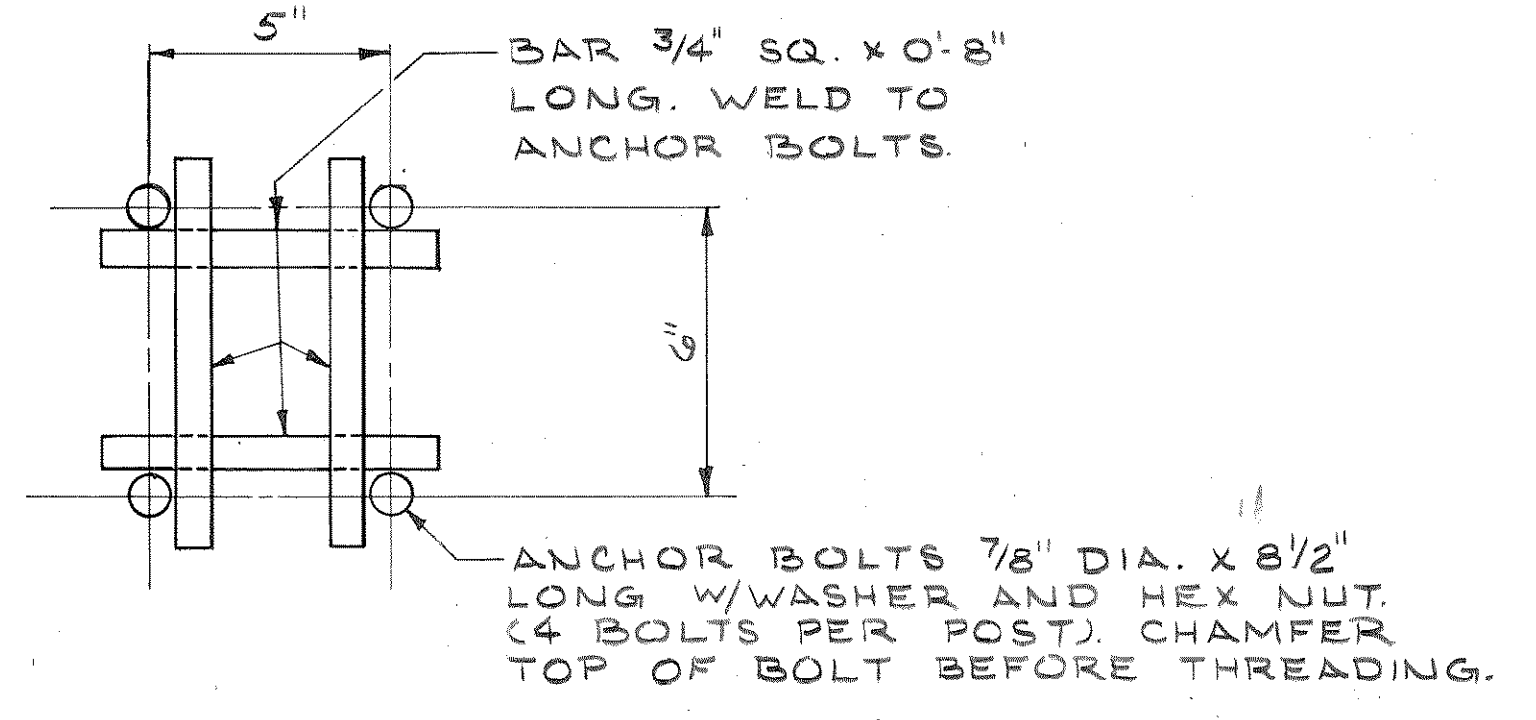


**END DETAIL FOR WINGS**

**POST SHIM DETAIL**



**JOINT DETAIL AT ABUTMENT**



**ANCHOR BOLT DETAIL**

**GENERAL NOTES**

1. ALL WELDS TO BE MADE IN ACCORDANCE WITH THE WELDED FLANGE, FOR STEEL WELDED TO STEEL OR WELDED TO CAST IRON. SLOPE OF WELDS TO BE 1/4" PER 1" UNLESS OTHERWISE SPECIFIED.

2. ALL WELDS TO BE MADE IN ACCORDANCE WITH THE WELDED FLANGE, FOR STEEL WELDED TO STEEL OR WELDED TO CAST IRON. SLOPE OF WELDS TO BE 1/4" PER 1" UNLESS OTHERWISE SPECIFIED.

3. ALL WELDS TO BE MADE IN ACCORDANCE WITH THE WELDED FLANGE, FOR STEEL WELDED TO STEEL OR WELDED TO CAST IRON. SLOPE OF WELDS TO BE 1/4" PER 1" UNLESS OTHERWISE SPECIFIED.

4. ALL WELDS TO BE MADE IN ACCORDANCE WITH THE WELDED FLANGE, FOR STEEL WELDED TO STEEL OR WELDED TO CAST IRON. SLOPE OF WELDS TO BE 1/4" PER 1" UNLESS OTHERWISE SPECIFIED.

5. ALL WELDS TO BE MADE IN ACCORDANCE WITH THE WELDED FLANGE, FOR STEEL WELDED TO STEEL OR WELDED TO CAST IRON. SLOPE OF WELDS TO BE 1/4" PER 1" UNLESS OTHERWISE SPECIFIED.

6. ALL WELDS TO BE MADE IN ACCORDANCE WITH THE WELDED FLANGE, FOR STEEL WELDED TO STEEL OR WELDED TO CAST IRON. SLOPE OF WELDS TO BE 1/4" PER 1" UNLESS OTHERWISE SPECIFIED.

7. ALL WELDS TO BE MADE IN ACCORDANCE WITH THE WELDED FLANGE, FOR STEEL WELDED TO STEEL OR WELDED TO CAST IRON. SLOPE OF WELDS TO BE 1/4" PER 1" UNLESS OTHERWISE SPECIFIED.

8. ALL WELDS TO BE MADE IN ACCORDANCE WITH THE WELDED FLANGE, FOR STEEL WELDED TO STEEL OR WELDED TO CAST IRON. SLOPE OF WELDS TO BE 1/4" PER 1" UNLESS OTHERWISE SPECIFIED.

9. ALL WELDS TO BE MADE IN ACCORDANCE WITH THE WELDED FLANGE, FOR STEEL WELDED TO STEEL OR WELDED TO CAST IRON. SLOPE OF WELDS TO BE 1/4" PER 1" UNLESS OTHERWISE SPECIFIED.

10. ALL WELDS TO BE MADE IN ACCORDANCE WITH THE WELDED FLANGE, FOR STEEL WELDED TO STEEL OR WELDED TO CAST IRON. SLOPE OF WELDS TO BE 1/4" PER 1" UNLESS OTHERWISE SPECIFIED.

DATE REVISION BY

STATE OF WISCONSIN  
DEPARTMENT OF TRANSPORTATION  
DIVISION OF HIGHWAYS

STRUCTURE B-35-95

NO. WIS. 1981 DRAWN BY RAE PLANNED GMA

TUBULAR STEEL RAILING TYPE 'F' SHEET 7 OF 7 X