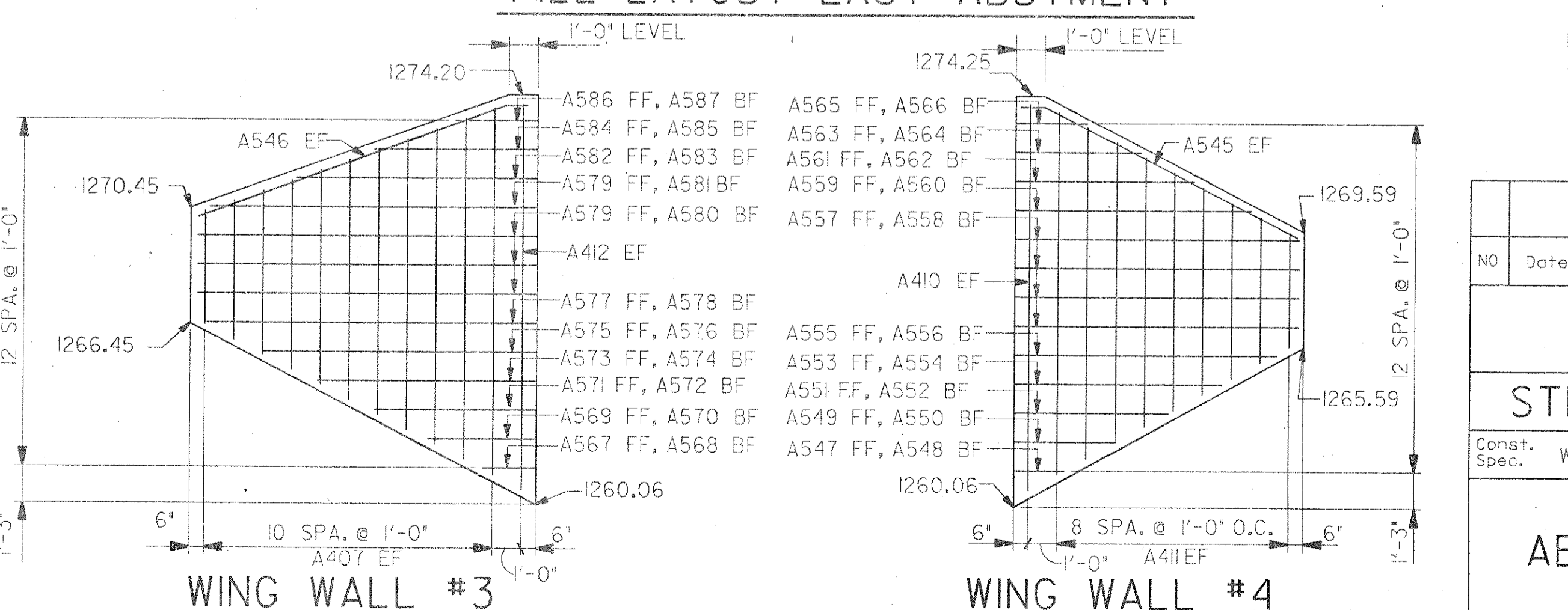
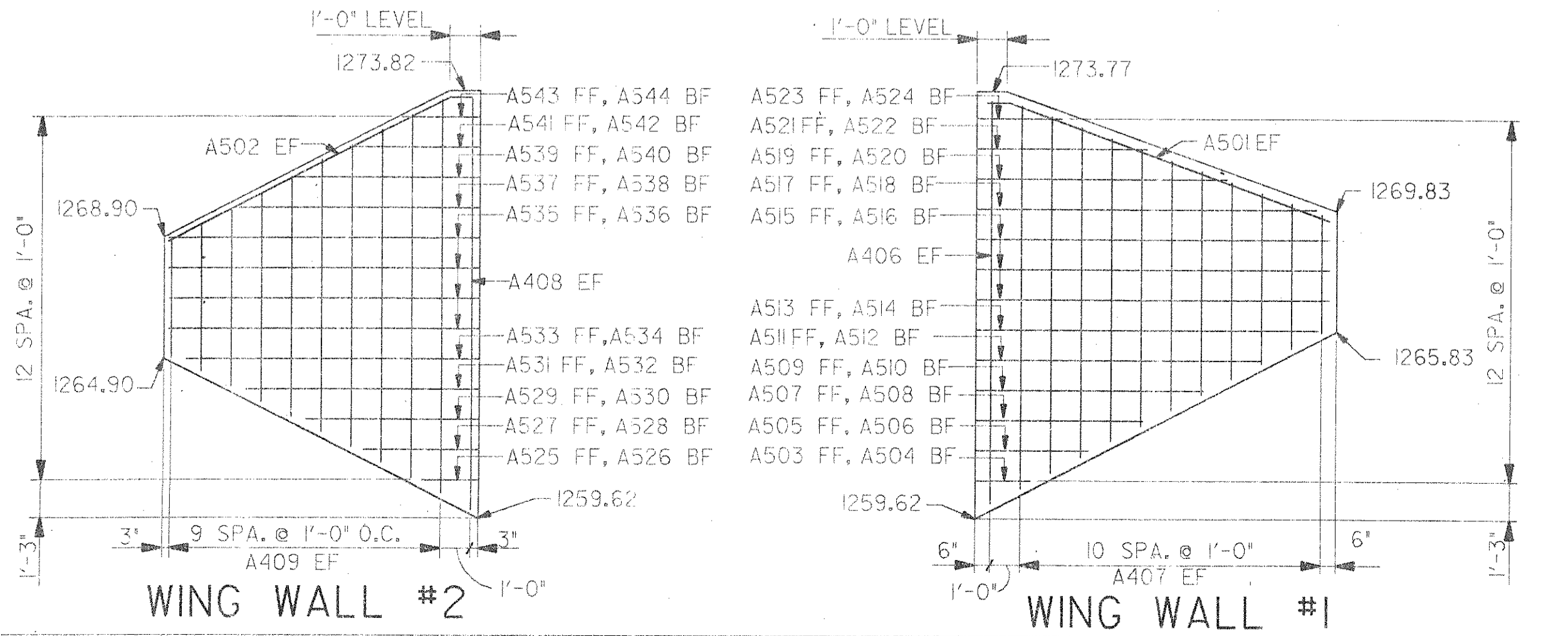


GENERAL NOTES

SPLICES IF REQUIRED IN ABUTMENT PILES SHALL BE MADE BY A CERTIFIED WELDER

SEAT ELEVATIONS SHOWN ARE AT THE CENTER LINE OF THE ABUTMENTS

SEE ABUTMENT REINFORCEMENT SHEET FOR CROSS SECTION THRU BODY AND ABUTMENT FILL DETAIL



NO	Date	Revisions	By
STATE OF WISCONSIN DEPARTMENT OF TRANSPORTATION DIVISION OF HIGHWAYS			
STRUCTURE B-35-95			
Const. Spec.	WIS. 1981	Drawn By	RAE
		Plans Checked	DEM GMA DSC
ABUTMENTS			SHEET 3 OF 7