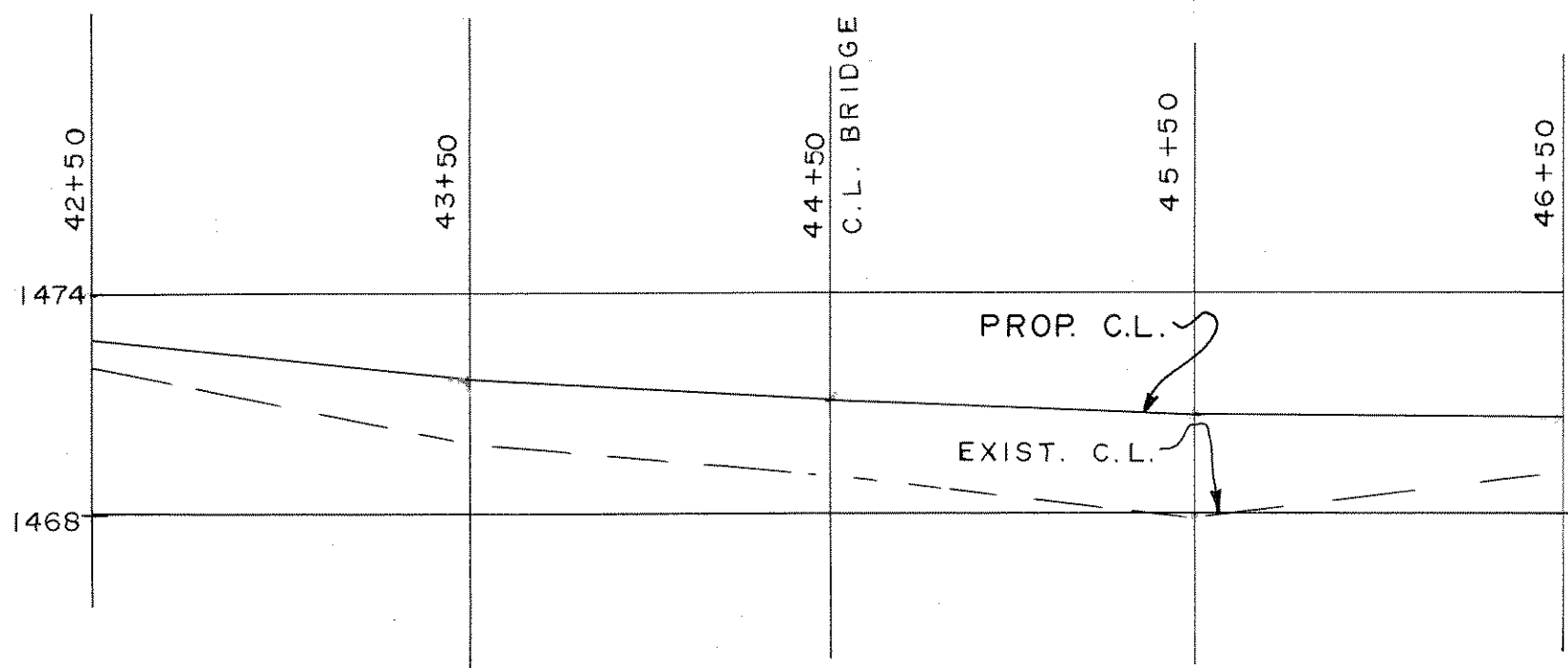


C.L. PROFILE

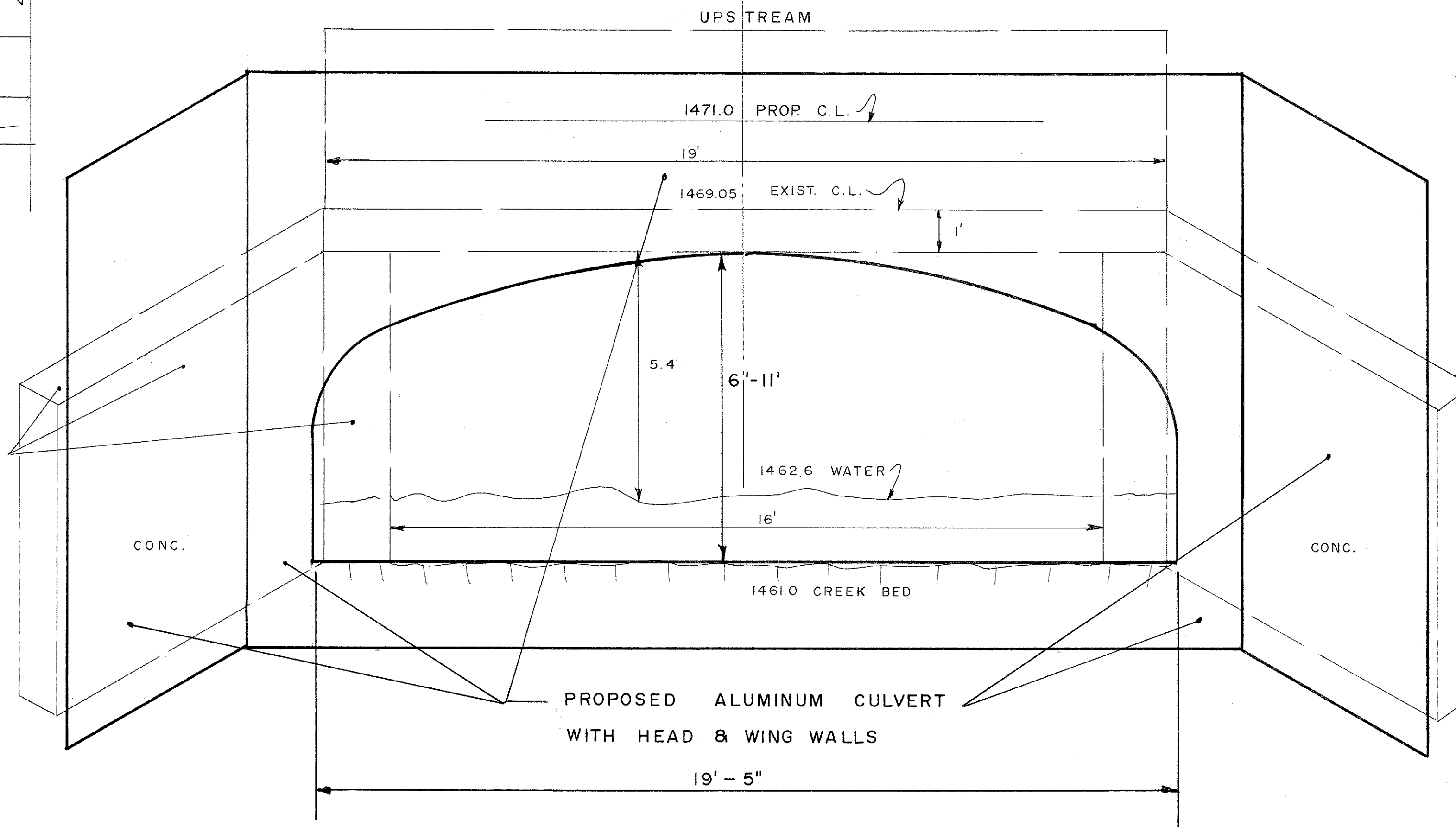
1" = 50' HOR. 1" = 5' VERT.



SOUTH BRIDGE

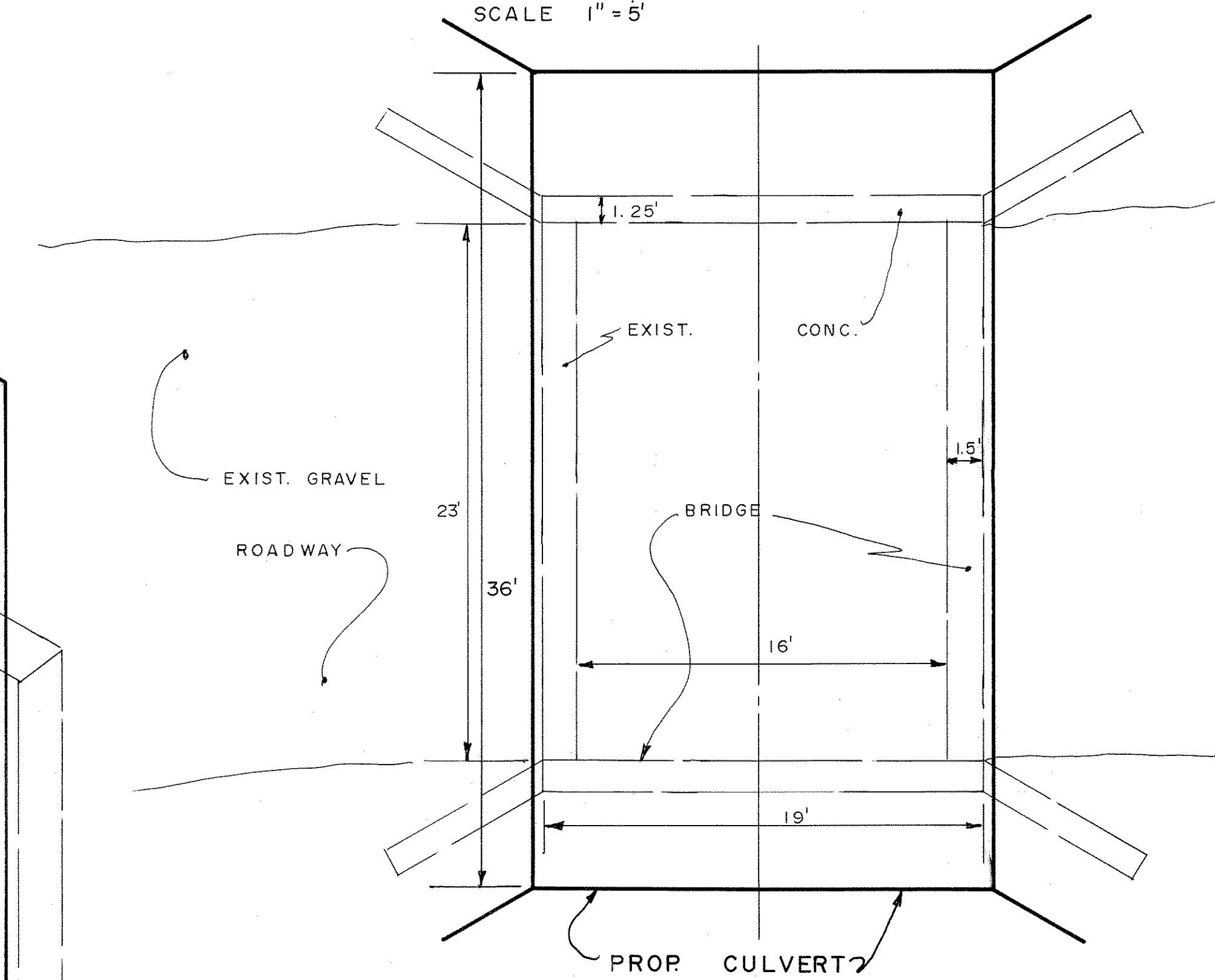
2900' N. OF STH 86

SCALE 1" = 2'



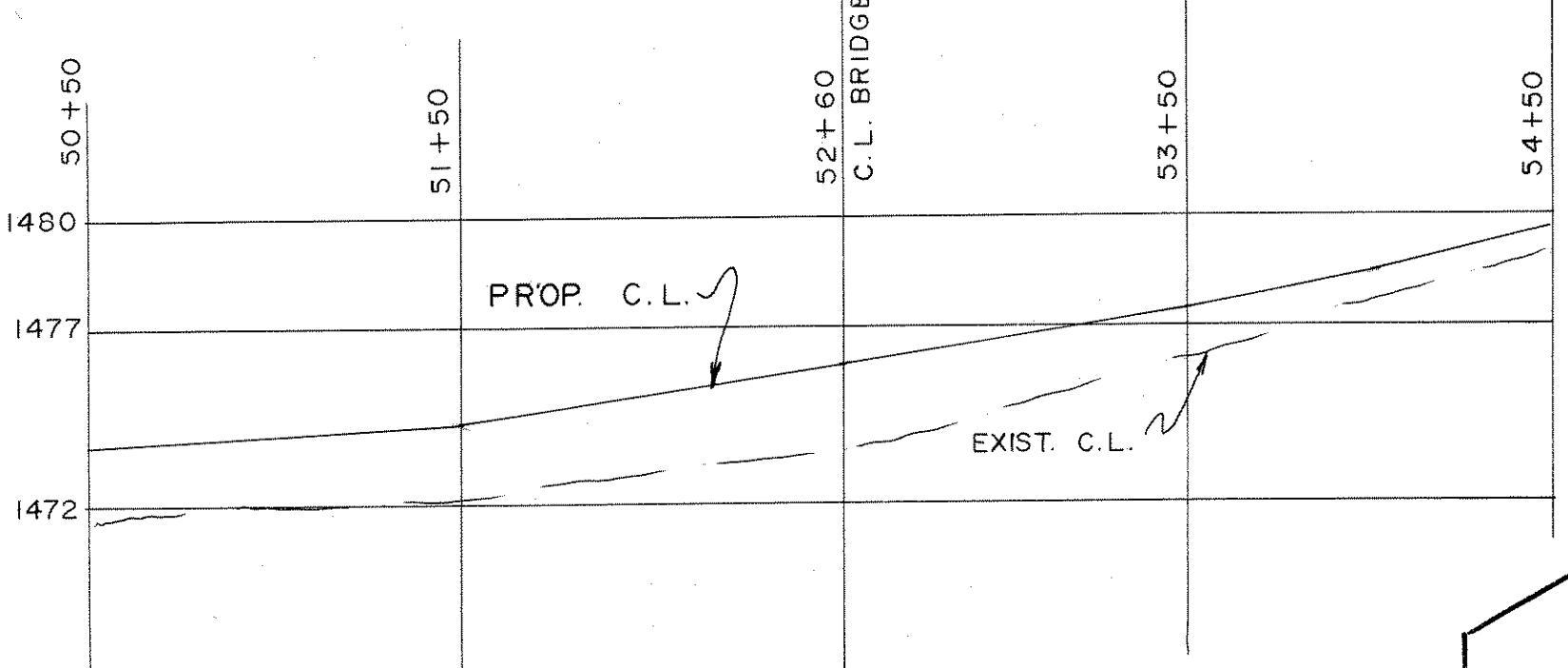
24" TOE WALL IS PROVIDED ON UPSTREAM END.

SCALE 1" = 5'



C.L. PROFILE

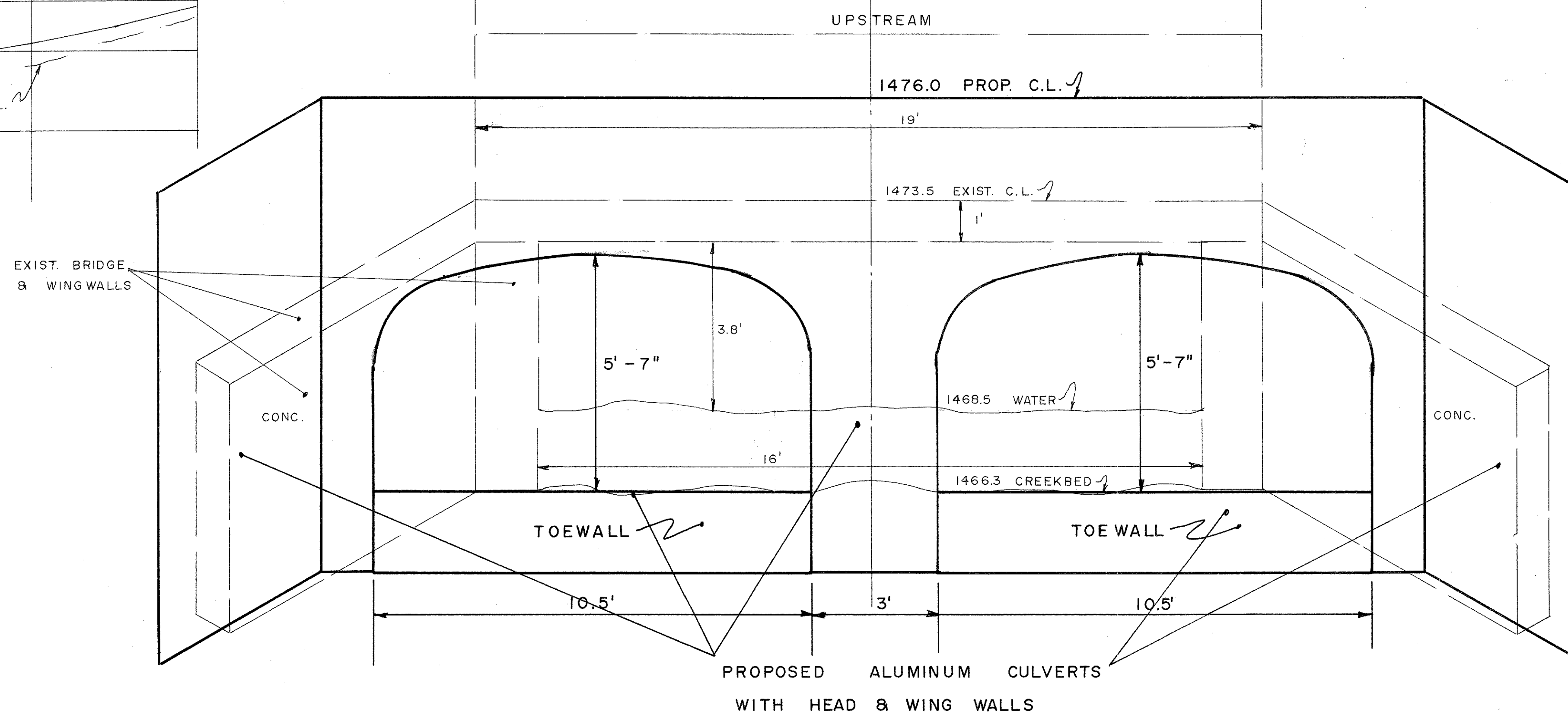
1" = 50' HOR. 1" = 5' VERT.



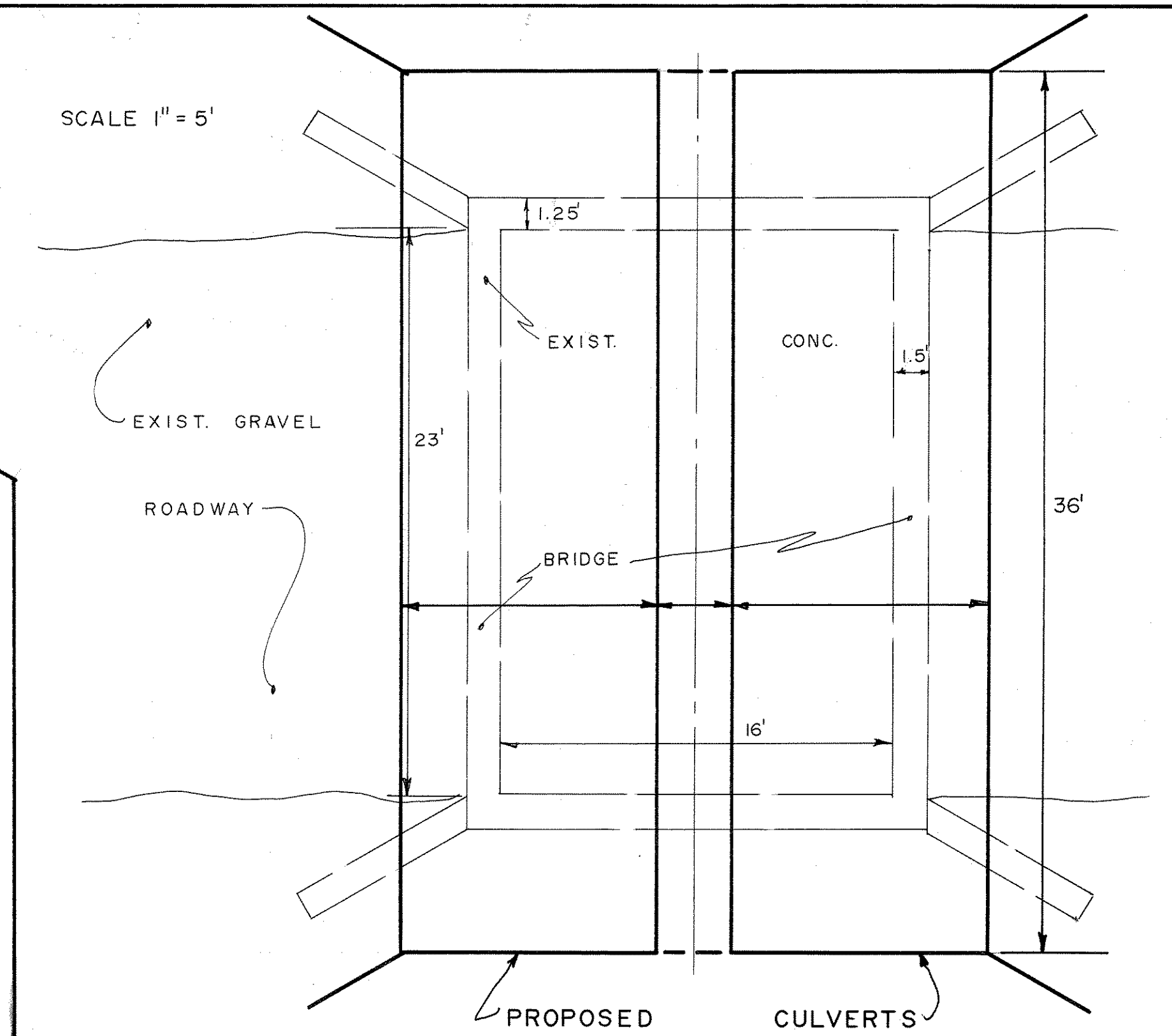
NORTH BRIDGE

3700' N. OF STH 86

SCALE 1" = 2'



SCALE 1" = 5'



TITLE CTH T - N. OF STH 86		DRAWING NO.
BRIDGE REPLACEMENT		
LINCOLN COUNTY	STATE OF WISCONSIN	REVISED
DRAWN FOR LINCOLN CO. HIGHWAY DEPT.		
DATE 10 / 92	DRAWN BY P. K.	
SCALE	APPROVED BY	
FILE NO.	FIELD BOOK NO.	