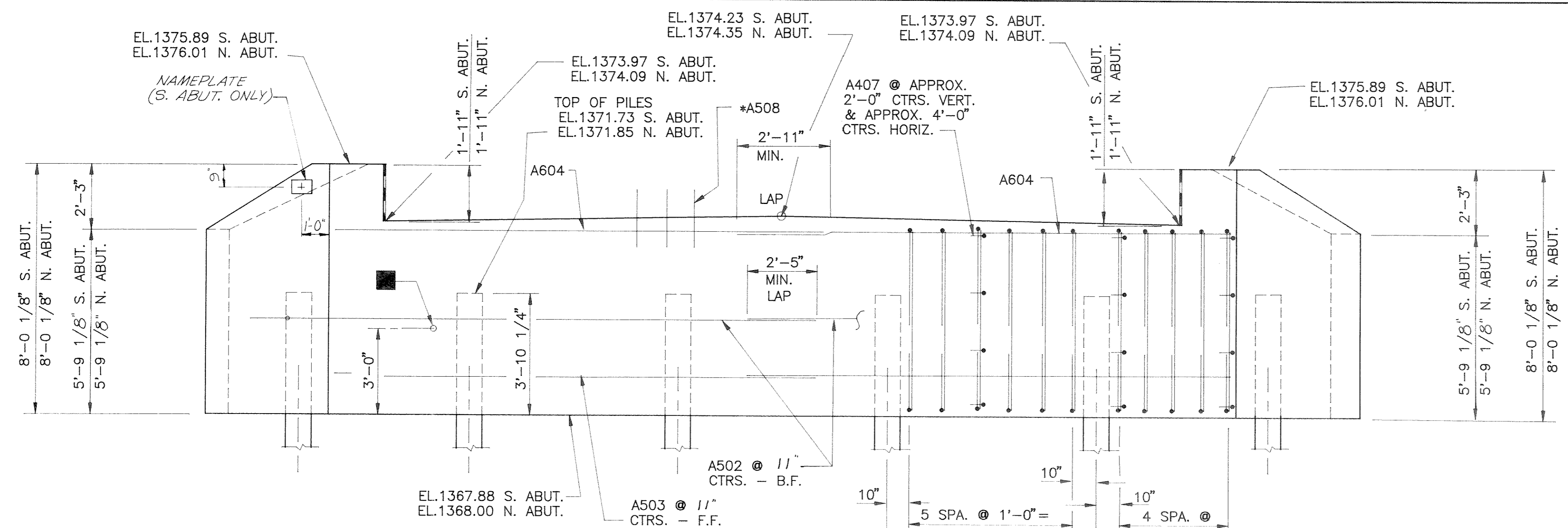


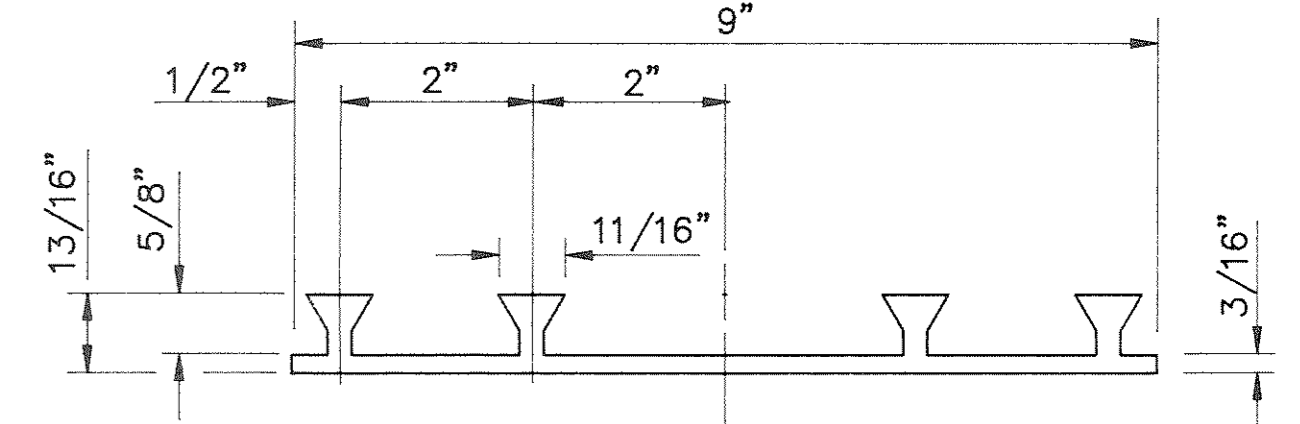
STATE PROJECT NUMBER	SHEET NO
9857-03-70	



WINGS 2 & 4

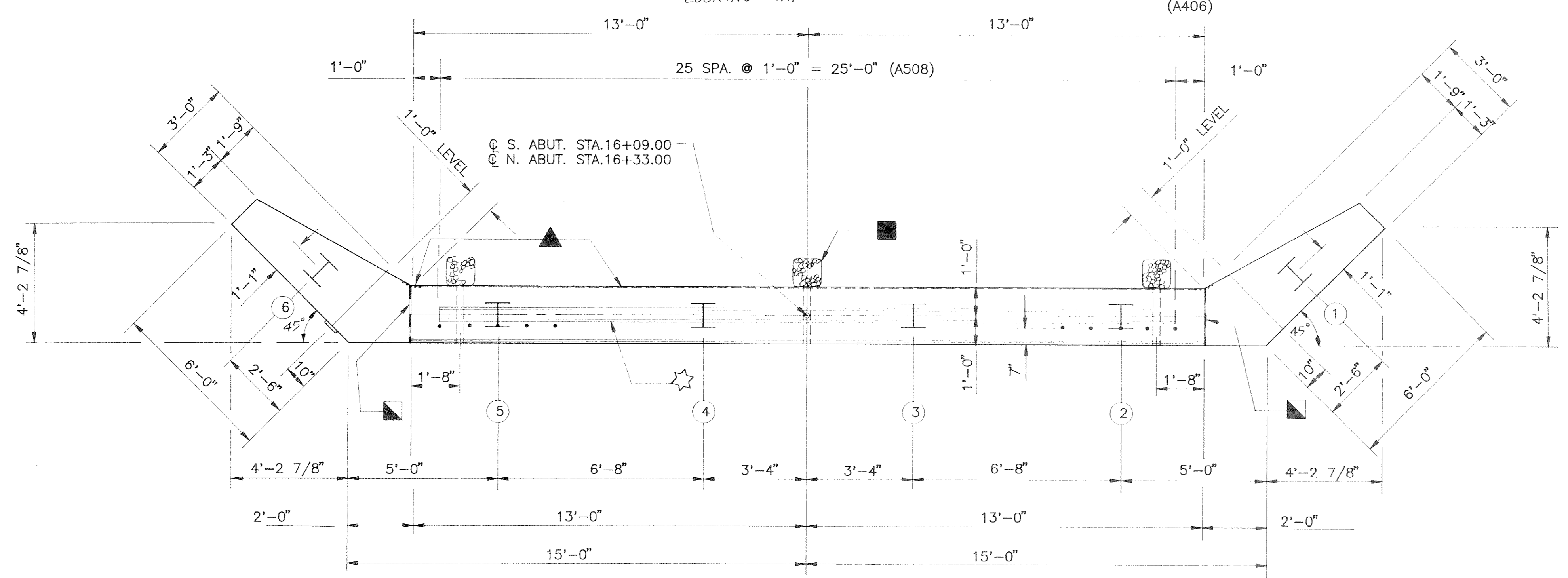
ELEVATION  
LOOKING @ F.F.

WINGS 1 & 3

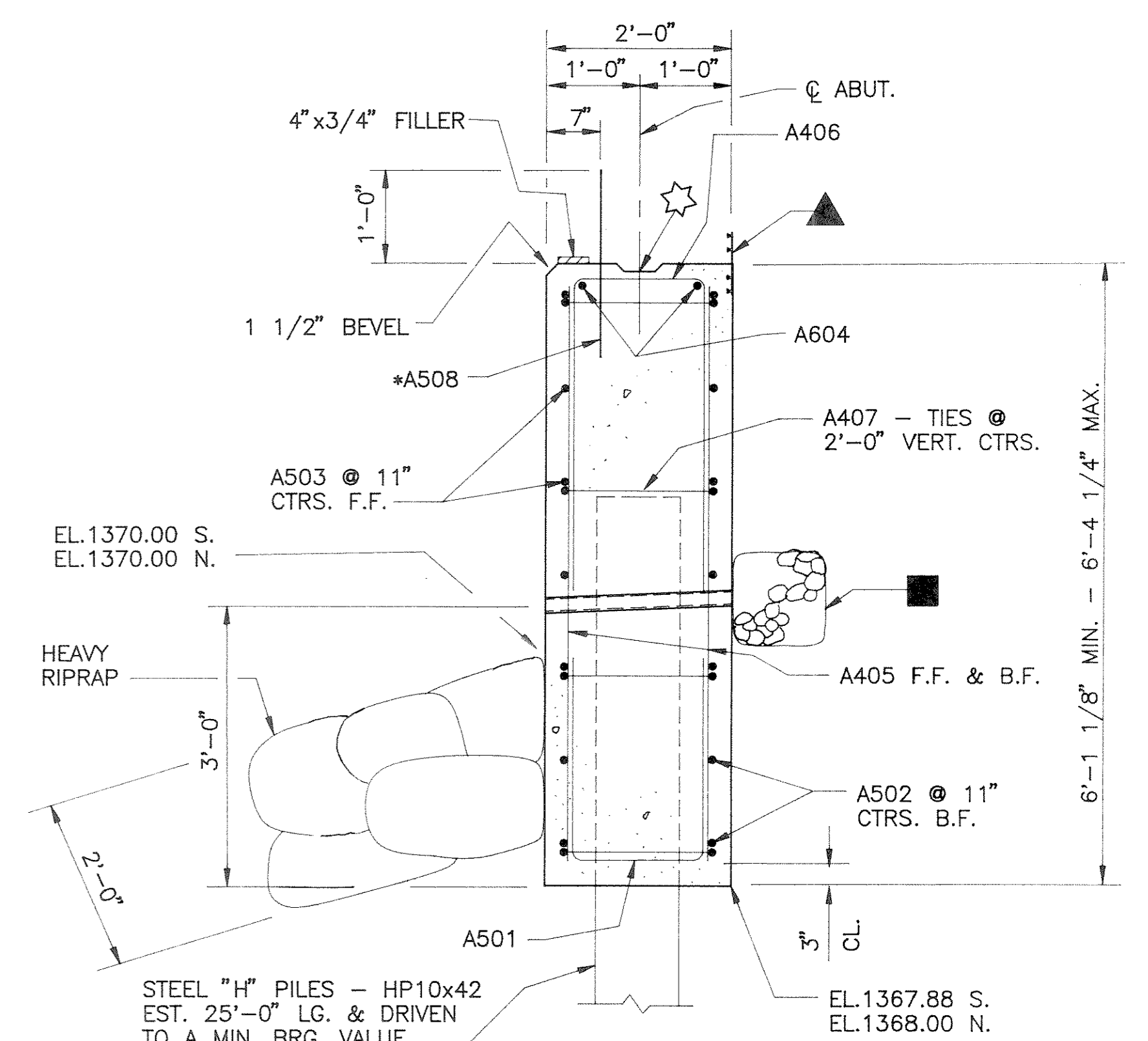


POLYVINYL CHLORIDE WATERSTOP

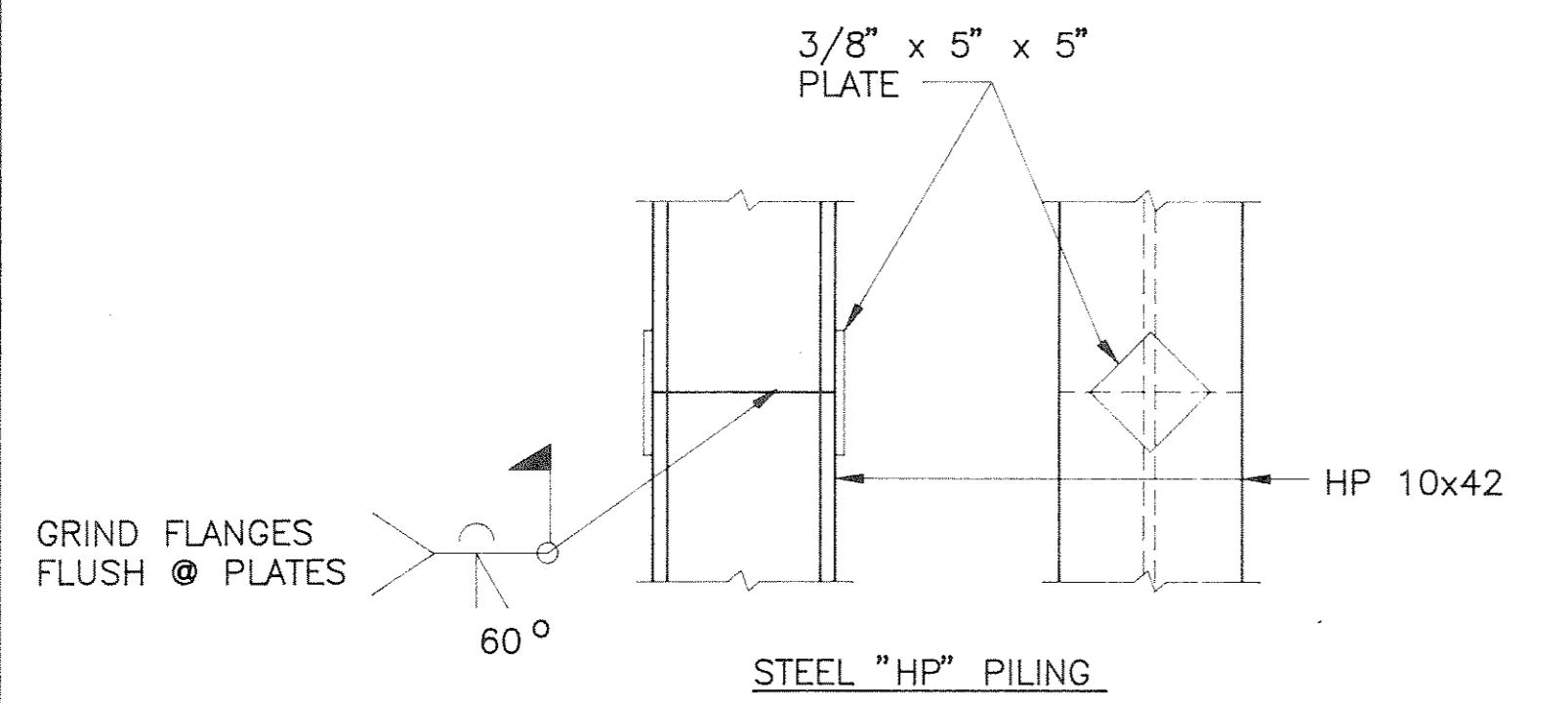
\*A508 DOWEL BARS MAY BE PLACED AFTER CONCRETE IS POURED, BUT BEFORE INITIAL SET HAS TAKEN PLACE.



PLAN



SECTION THRU ABUTMENT BODY



PILE SPLICE DETAILS

- 2" DIA. WEEP HOLE @ LOCATIONS SHOWN. USE FILTER CLOTH W/SELECT GRANULAR MATERIAL @ EA. HOLE (ON B.F. 12"x12"x12" MIN.) COST TO BE INCIDENTAL TO "CONCRETE MASONRY BRIDGES."
- POLYVINYL CHLORIDE WATERSTOP TO EXTEND FULL WIDTH OF ABUT. SEAT & VERT. FROM SEAT TO TOP OF WINGS. P.C.W. SHALL BE BUTT-SPLICED AT ALL INTERSECTIONS BY USING A HEATED SPLICING IRON. HOLD FLUSH TO CONC.

- CONST. JOINT KEYWAY FORMED WITH A SURFACED, BEVELED 2"x 6".
- SEAL ALL EXPOSED HORIZ. & VERT. SURFACES OF 1/2" FILLER WITH NON-STAINING GRAY NON-BITUMINOUS JOINT SEALER. (1" DEEP & HOLD 1/8" BELOW SURFACE OF CONC.)

No.	Date.	Revision	By
STATE OF WISCONSIN DEPARTMENT OF TRANSPORTATION DIVISION OF HIGHWAYS			
STRUCTURE B-35-107			
Const. Spec.	WIS. 89	Drawn By	T.R.L.
		Plans Checked	L.M.B.
ABUTMENTS			SHEET 3 OF 6
			X 82701