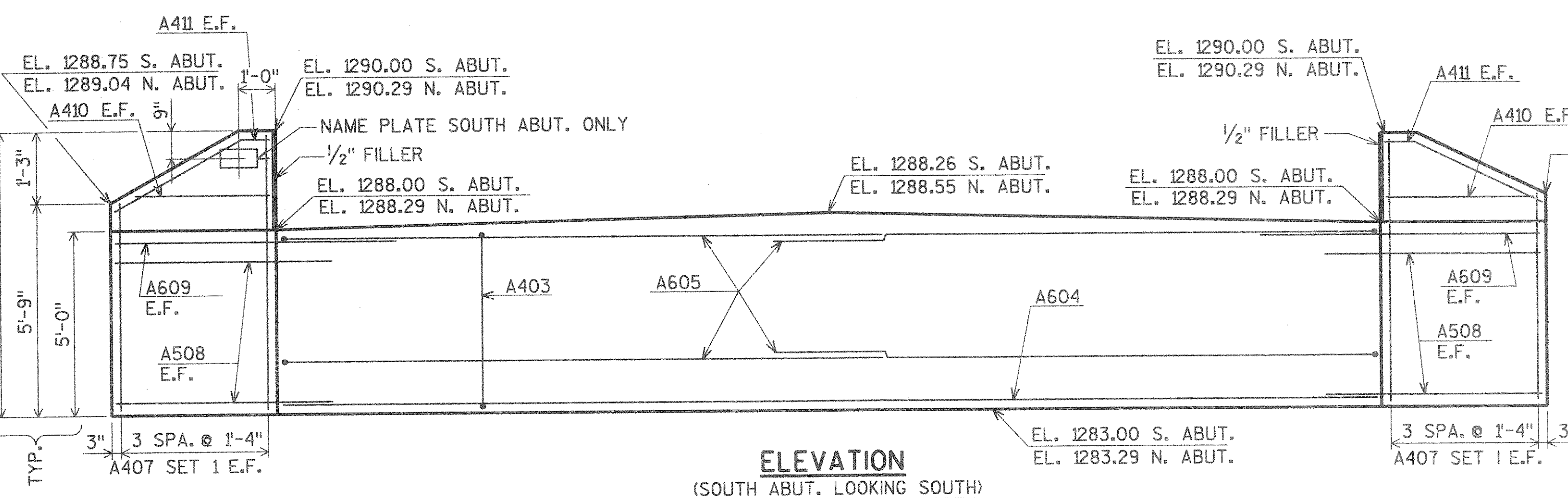
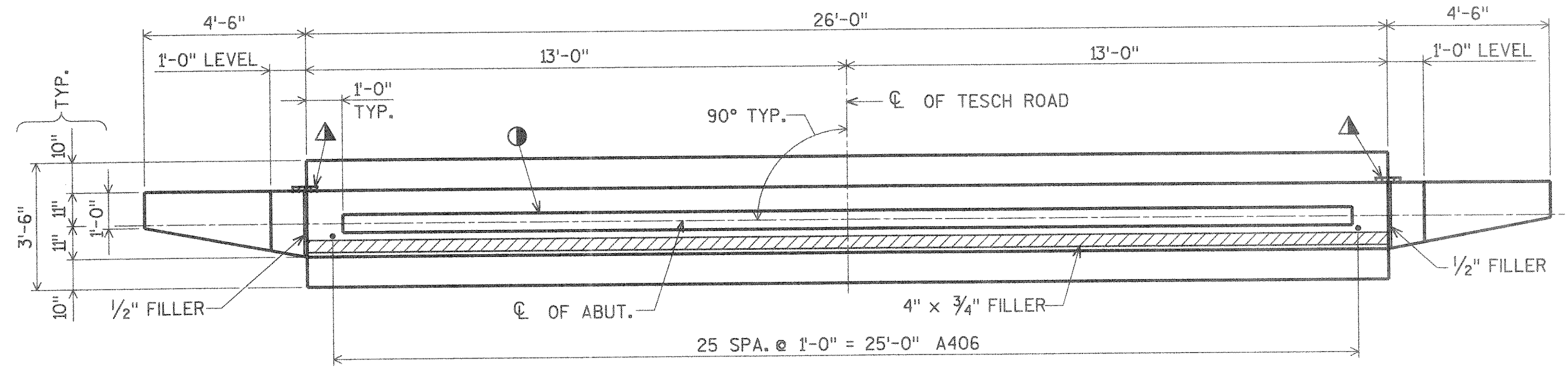


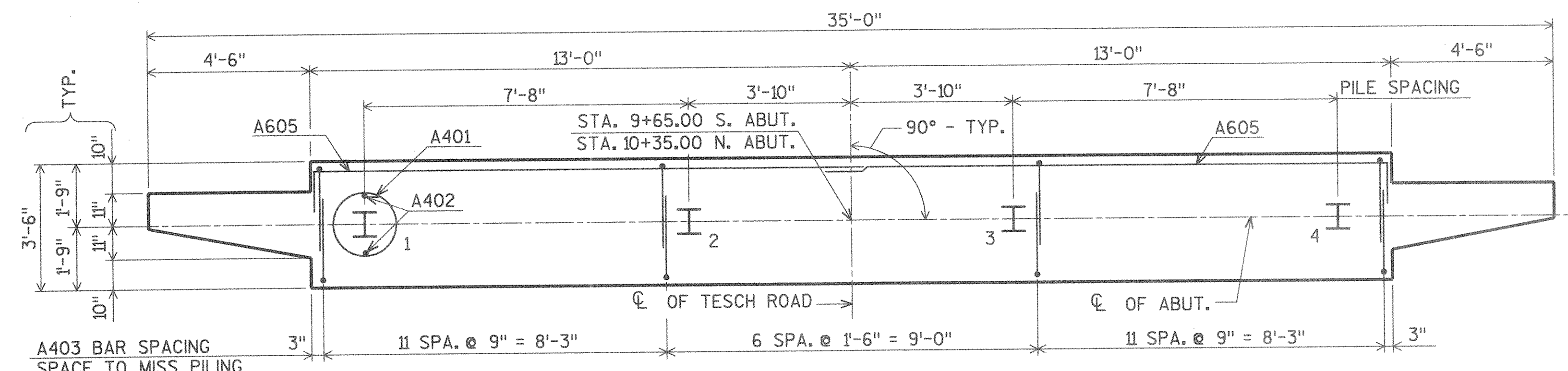
NOTE: SEAL ALL EXPOSED HORIZONTAL AND VERTICAL SURFACES OF 1/2" FILLER WITH NON-STAINING GRAY NON-BITUMINOUS JOINT SEALER. (1" DEEP AND HOLD 1/8" BELOW SURFACE OF CONCRETE.)



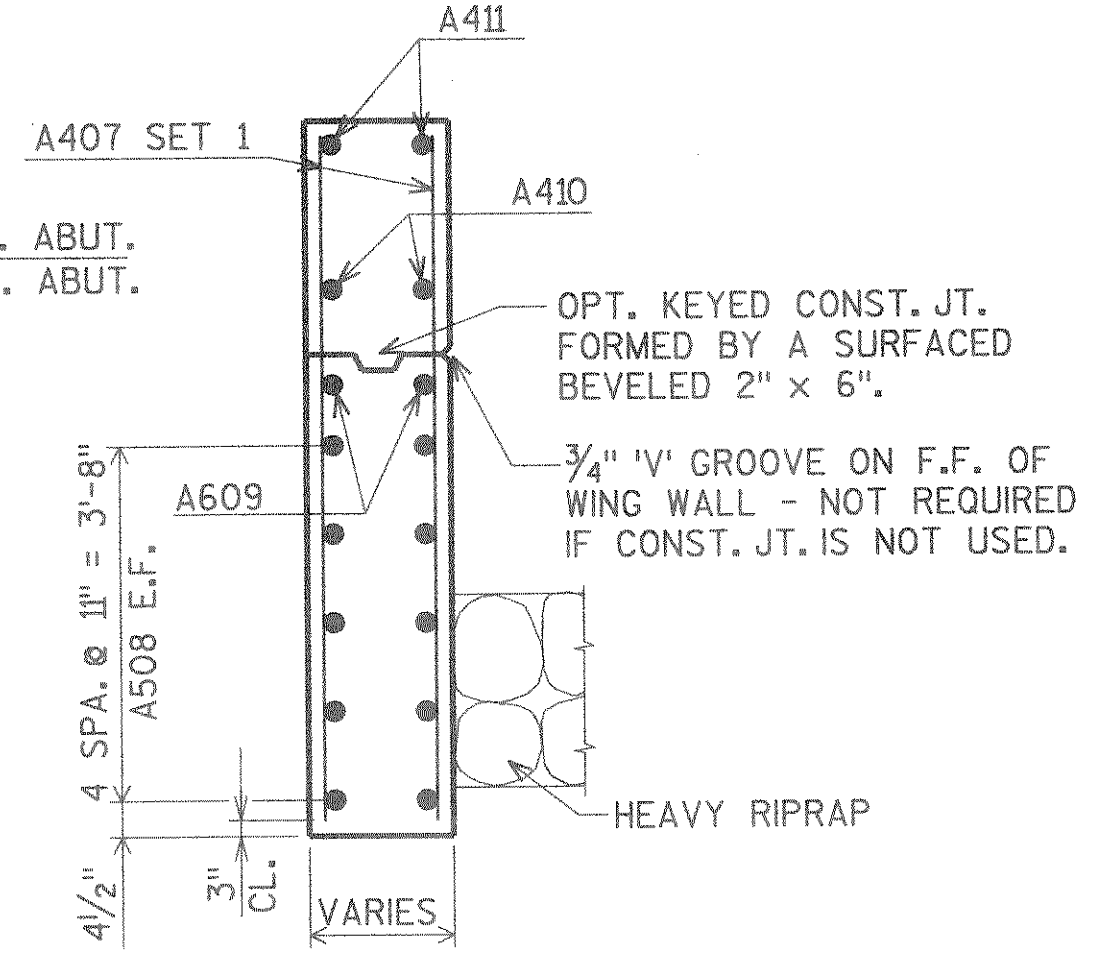
**ELEVATION**  
(SOUTH ABUT. LOOKING SOUTH)  
(NORTH ABUT. LOOKING NORTH)



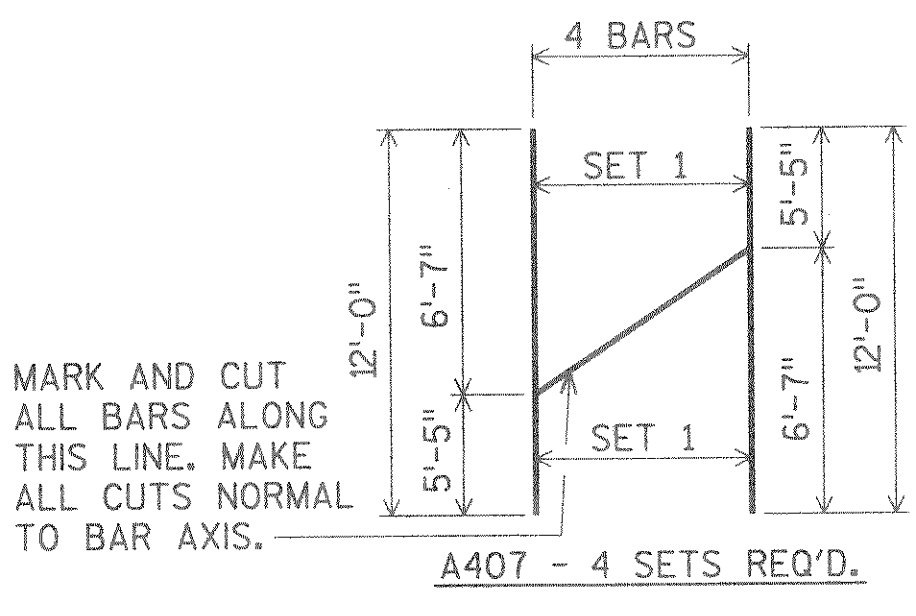
**PLAN**



**PILE LAYOUT**



**TYP. SECTION THRU WING**

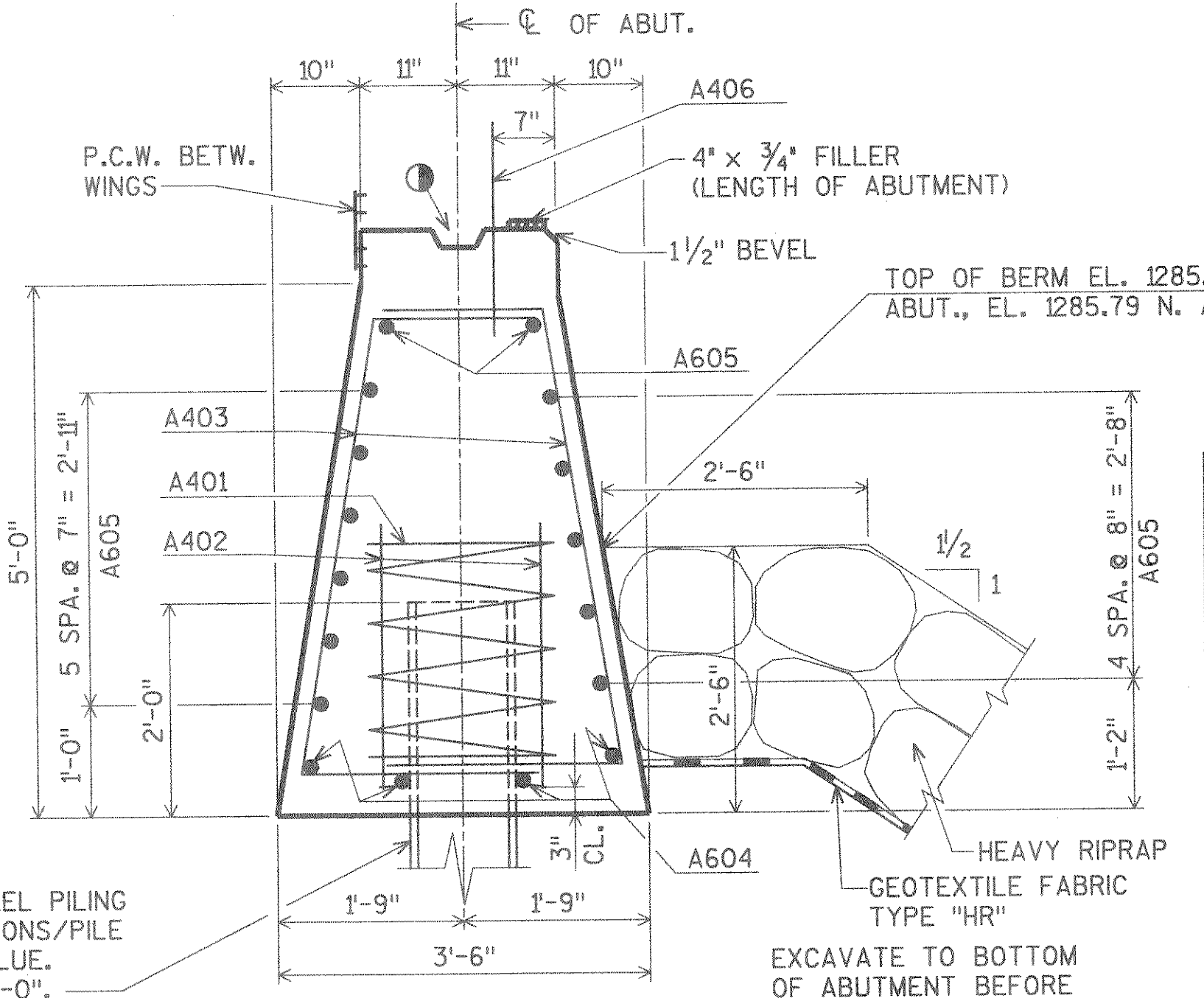
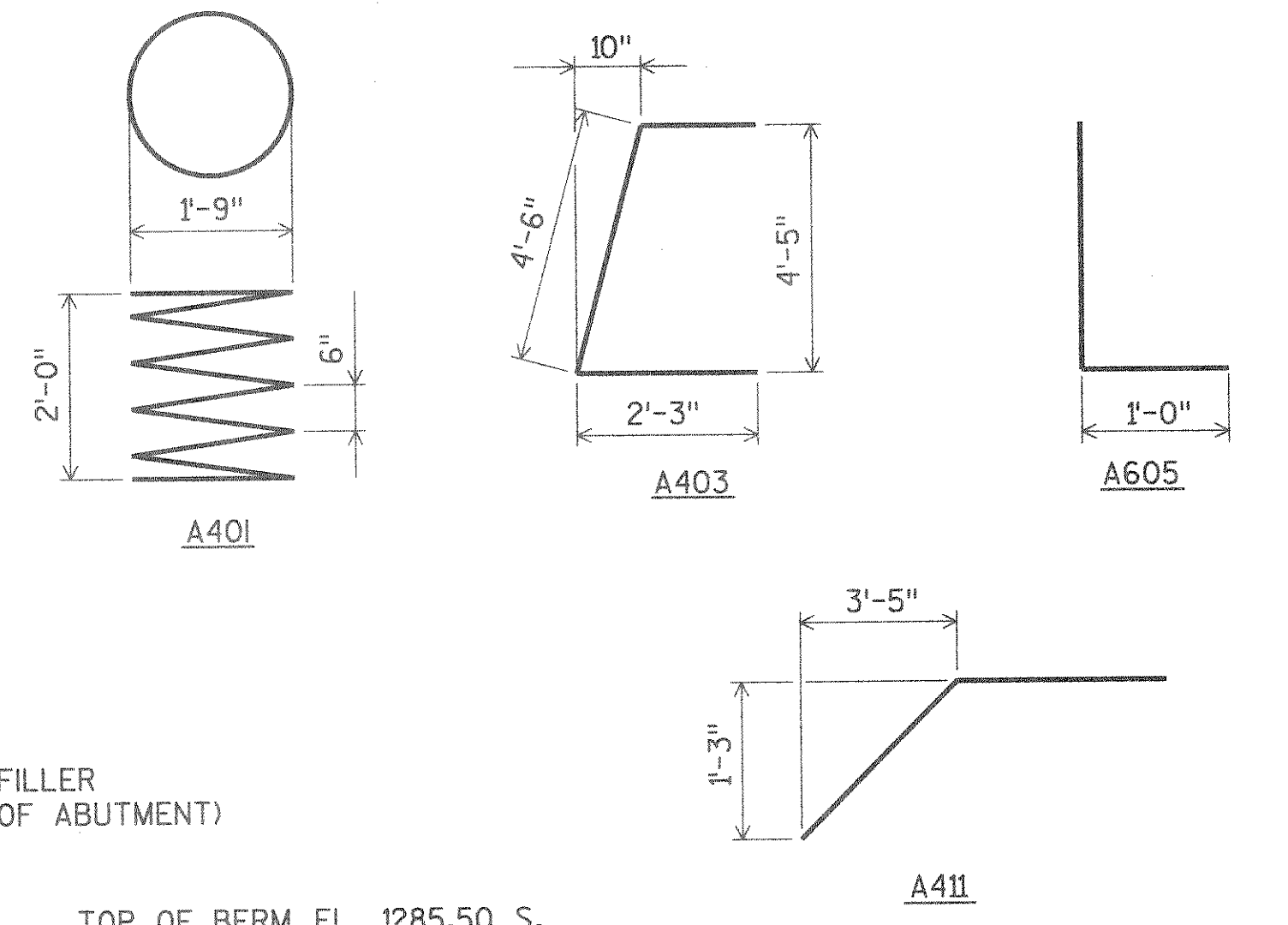


**CUTTING DIAGRAM**

**BILL OF BARS** (FOR ONE ABUTMENT ONLY)

BAR NO.	NO. REQ'D.	LENGTH	BENT BAR	COATED BAR	CUT. DIAGR.	LOCATION
1,440# UNCOATED						
LOCATION						
A401	4	28-0	X			BODY @ PILES
A402	8	2-3				BODY @ PILES
A403	58	8-1	X			BODY VERT.
A604	4	25-8				BODY HORIZ.
A605	26	15-2	X			BODY HORIZ.
A406	26	2-0				BODY DOWELS
A407	8	12-0		X		WINGS VERT. E.F. SET 1
A508	20	5-10				WINGS HORIZ. E.F.
A609	4	7-7				WINGS HORIZ. E.F.
A410	4	4-1				WINGS HORIZ. E.F.
A411	4	4-6	X			WINGS DIAG. E.F.

BENDING DIMENSIONS ARE OUT TO OUT OF BARS.  
E.F. DENOTES EACH FACE.  
F.F. DENOTES FRONT FACE.



**SECTION THRU BODY**

A406 BARS MAY BE PLACED AFTER ABUT. IS POURED BUT BEFORE CONC. HAS SET. IMBED BARS 1'-0".

HP 10 X 42 STEEL PILING DRIVEN TO 35 TONS/PILE MIN. BEARING VALUE. EST. LENGTH 40'-0".

EXCAVATE TO BOTTOM OF ABUTMENT BEFORE DRIVING PILES.

- KEYED CONST. JOINT - FORMED BY A SURFACED BEVELED 2" x 6".
- VERT. P.C.W. TO EXTEND FROM BRIDGE SEAT TO TOP OF WING. SPLICE AT JUNCTION WITH HORIZ. WATERSTOP BY USING A HEATED SPLICING IRON. HOLD P.C.W. FLUSH WITH CONCRETE.
- P.C.W. DENOTES POLYVINYL CHLORIDE WATERSTOP. SEE SHEET 2 FOR DETAILS.
- FOR PILE SPLICE DETAIL SEE SHEET 2.
- SEAL ALL VERTICAL ENDS OF P.C.W. WITH NON-STAINING GRAY NON-BITUMINOUS JOINT SEALER.

No.	Date	Revision	By
PLANS PREPARED BY			
<b>AYRES ASSOCIATES</b> Engineers/Architects Planners/Surveyors Owen Ayres & Associates Inc. Eau Claire, Wisconsin			
STATE OF WISCONSIN DEPARTMENT OF TRANSPORTATION			
STRUCTURE B-35-125			
Const. Spec.	1989	Drawn By	CLS
		Plans Checked	C.B.M.
<b>ABUTMENTS</b>			SHEET 4 OF 7

PEN TABLE = collgbr.tbl  
DATE OF PLOT = 01/21/94  
DESIGN FILE IS /usr/work/ttrb1dgc/5020abut.dgn  
DGN LEVELS ON = 1-63

REF NC  
REFLNC

REFERENCE FILES  
REF NB  
REFLNB

REF NA  
REFLNA

DATE:

CHECKED BY:  
BACK CHECKED BY:  
CORRECTED BY: