

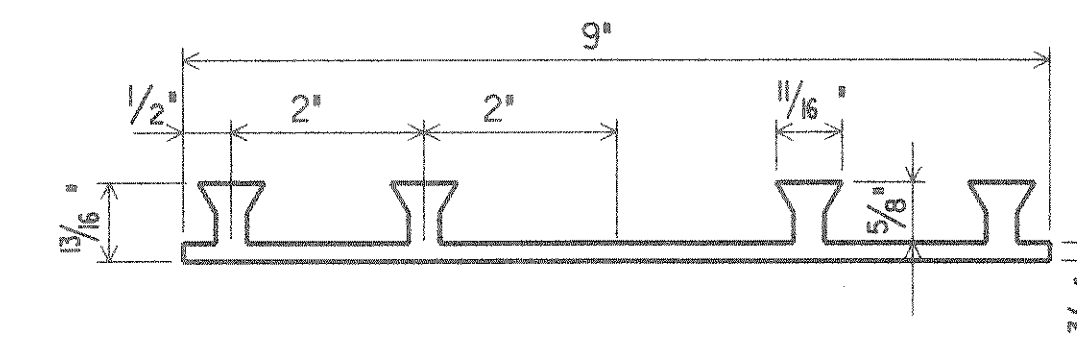
PEN TABLE = collgbr.tbl
 DATE OF PLOT = 01/21/94
 DESIGN FILE IS /usr/work/trbrldge/5020gp.dgn
 DGN LEVELS ON = 1-63

TOTAL ESTIMATED QUANTITIES

BID ITEMS	UNIT	S. ABUT.	PIER	N. ABUT.	SUPER.	TOTAL
REMOVING OLD BRIDGE, STA. 10+00	L.S.	-----	-----	-----	-----	1
EXCAVATION FOR STRUCTURES, BRIDGES B-35-125	L.S.	-----	-----	-----	-----	1
CONCRETE MASONRY, BRIDGES	C.Y.	16.1	24.1	16.1	96.7	153
PROTECTIVE SURFACE TREATMENT	GAL.	-----	-----	-----	13	13
HIGH-STRENGTH BAR STEEL REINFORCEMENT, BRIDGES	LB.	1,440	1,170	1,440	13,440	17,490
COATED HIGH-STRENGTH BAR STEEL REINFORCEMENT, BRIDGES	LB.	-----	-----	-----	6,900	6,900
STEEL PILING, DELIVERED AND DRIVEN, HP 10-INCH 42 POUND	L.F.	160	270	160	-----	590
TUBULAR RAILING, TYPE F, STRUCTURE B-35-125	L.S.	-----	-----	-----	-----	1
HEAVY RIPRAP	C.Y.	60	-----	45	-----	105
GEOTEXTILE FABRIC, TYPE HR	S.Y.	100	-----	85	-----	185
NON-BID ITEMS						
FILLER	SIZE	-----	-----	-----	-----	1/2" & 3/4"
POLYVINYL CHLORIDE WATERSTOP	L.F.	30	-----	30	-----	60

GENERAL NOTES

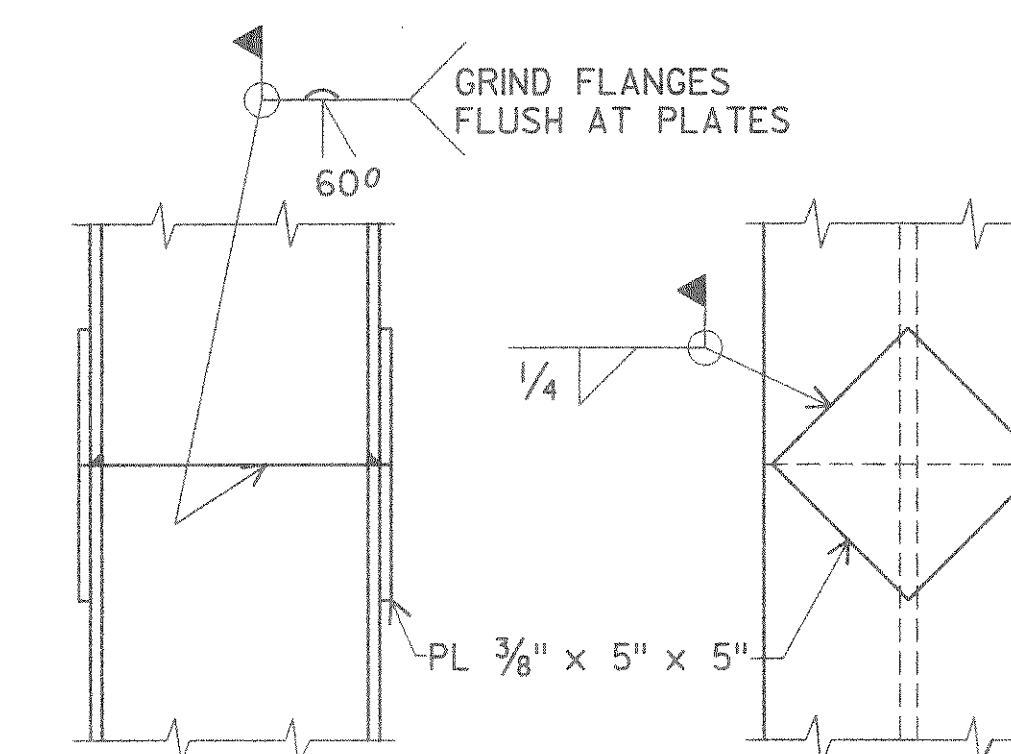
DRAWINGS SHALL NOT BE SCALED.
 BAR STEEL REINFORCEMENT SHALL BE EMBEDDED 2" CLEAR UNLESS SHOWN OR NOTED OTHERWISE.
 THE FIRST DIGIT OF A THREE DIGIT BAR NO. AND THE FIRST TWO DIGITS OF A FOUR DIGIT BAR NO. SIGNIFIES THE BAR SIZE.
 JOINT FILLER SHALL CONFORM TO THE REQUIREMENTS OF A.A.S.H.T.O. DESIGNATION M 153, TYPE I, II OR III OR A.A.S.H.T.O. DESIGNATION M 213.
 THE SLOPE OF THE FILL IN FRONT OF THE ABUTMENTS SHALL BE COVERED WITH HEAVY RIPRAP TO THE EXTENT SHOWN ON THE GENERAL PLAN SHEET AND IN THE ABUTMENT DETAILS.
 SLAB FALSEWORK SHALL BE SUPPORTED ON PILES UNLESS OTHERWISE APPROVED BY THE ENGINEER.
 PROTECTIVE SURFACE TREATMENT IS TO BE APPLIED TO THE TOP OF DECK.
 THE EXISTING BRIDGE, P-35-78, IS A TWO SPAN STEEL DECK GIRDER STRUCTURE 70.3 FT. LONG WITH A 15.8 FT. CLEAR WIDTH.



POLYVINYL CHLORIDE WATERSTOP DETAIL

(P.C.W.)

NOTE: WATERSTOP SHALL BE FASTENED TO FORMS BY NAILING OUTSIDE OF OUTSIDE TABS.



HP 10 x 42 SPLICE DETAIL

REFERENCE FILES

DATE: DATE: DATE:

CHECKED BY: BACK CHECKED BY: CORRECTED BY:

No.	Date	Revision	By
PLANS PREPARED BY			
AYRES Engineers/Architects Planners/Surveyors Owen Ayres & Associates Inc. Eau Claire, Wisconsin			
STATE OF WISCONSIN DEPARTMENT OF TRANSPORTATION			
STRUCTURE B-35-125			
Const. Spec.	1989	Drawn By: CLS	Plans Checked: C.B.M.
QUANTITIES & NOTES			SHEET 2 OF 7