

GIRDER NOTES

TOP OF GIRDER TO BE ROUGH FLOATED AND BROOMED TRANSVERSLEY FOR BONDING TO THE SLAB, EXCEPT OUTSIDE 2' TO BE TROWEL FINISHED.

THE GIRDERS SHALL BE PROVIDED WITH A SUITABLE LIFTING DEVICE FOR HANDLING AND ERECTING THE GIRDERS. ALL GIRDERS SHALL BE CAST FULL LENGTH AS SHOWN.

PRESTRESSING STRANDS SHALL BE 1/2" DIA. - 7 WIRE STRANDS WITH AN ULTIMATE STRENGTH OF 270,000 p.s.i. AND SHALL BE FLUSH WITH THE ENDS OF THE GIRDER.

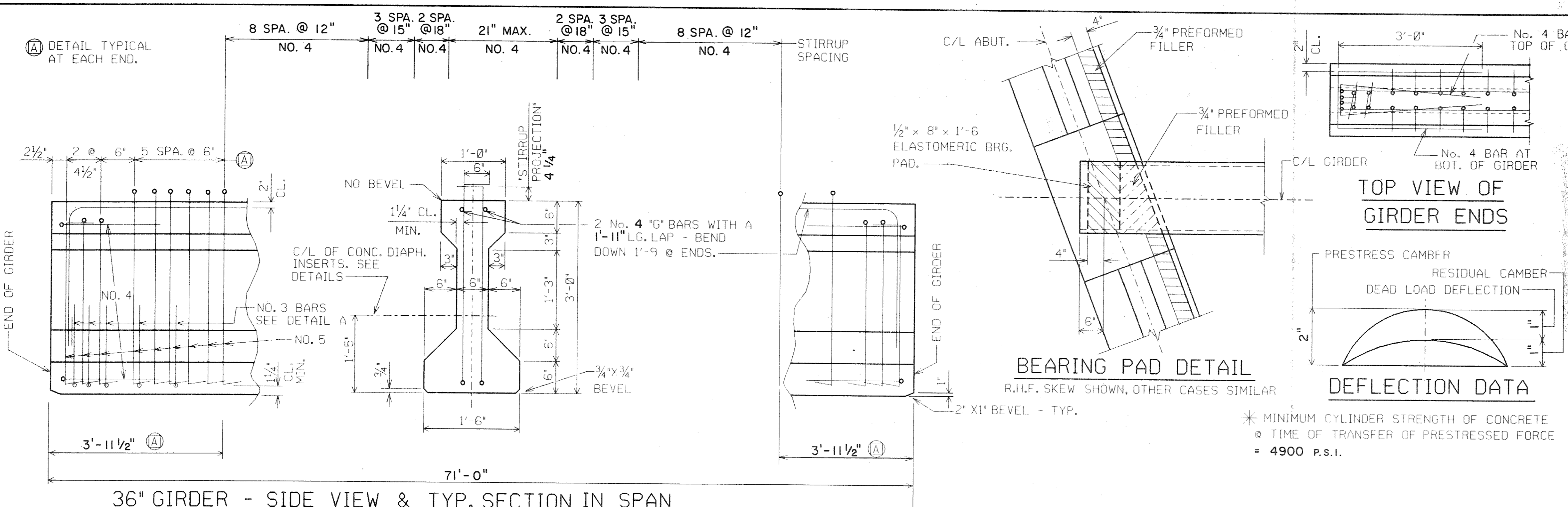
INSERTS SHALL BE PLACED ON 4' CTRS. SYMMETRICALLY ABOUT THE C/L OF DIAPHRAGMS IN SPAN.

ALL STIRRUPS SHALL BE IN PAIRS AND THE SPACING SHOWN IN 'SIDE VIEW' IS MAXIMUM. THE LOCATION SHALL BE SHOWN IN THE SHOP DRAWINGS.

BEND EACH END OF No. 4 AND No. 5 STIRRUPS 6' AND No. 6 STIRRUPS 6 1/2'.

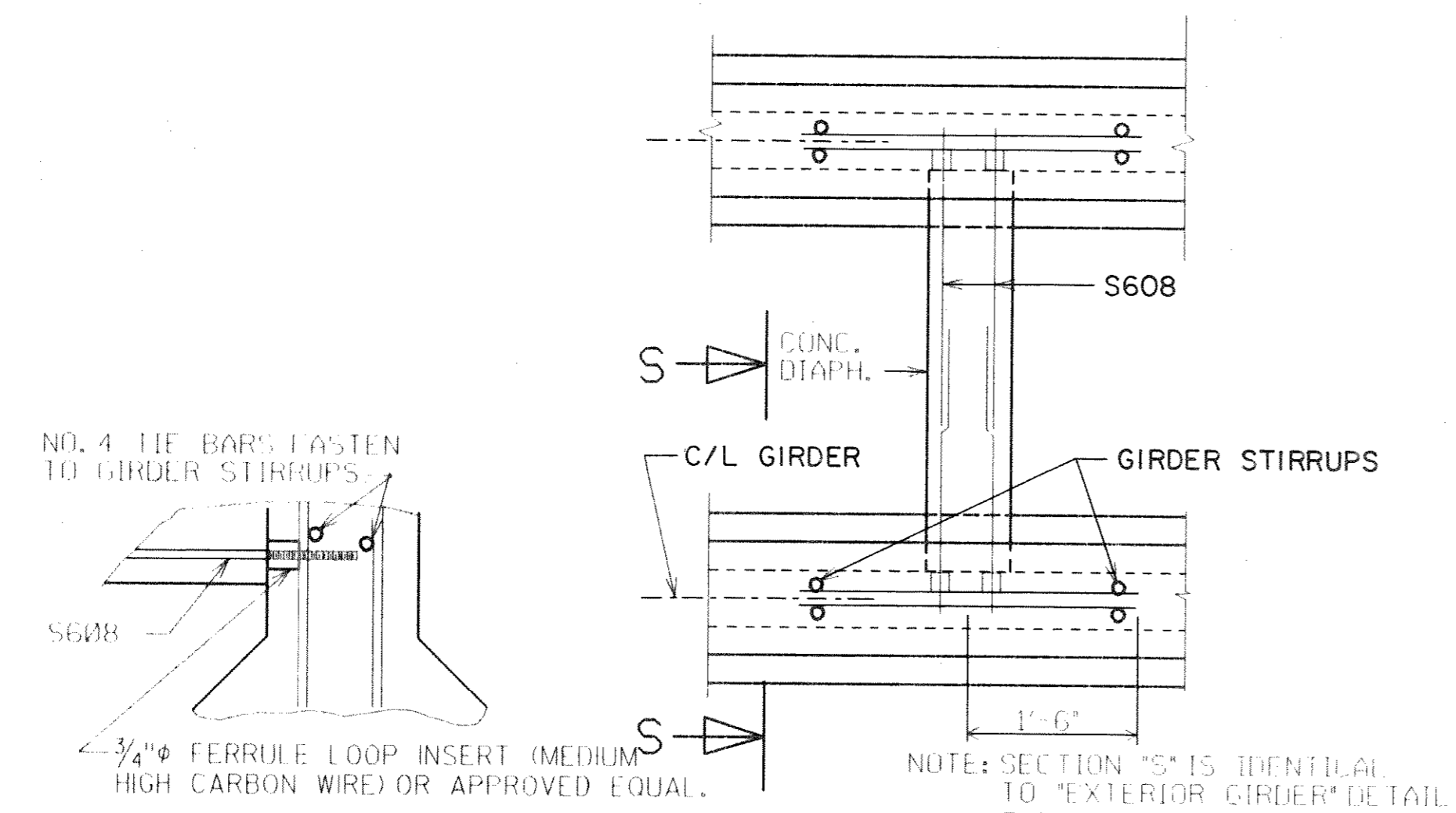
DATA SHOWN IN 'DEFLECTION DATA' IS THEORETICAL AND MAY VARY WITH CONCRETE STRENGTH, VARIABLE PRESTRESS CONDITIONS AND PRESTRESS LOSSES.

BARS 'G' MAY BE SPICED AT THE 1/3 POINTS OF GIRDER. USE LAP LENGTH SHOWN IN 'SECTION VIEW'.

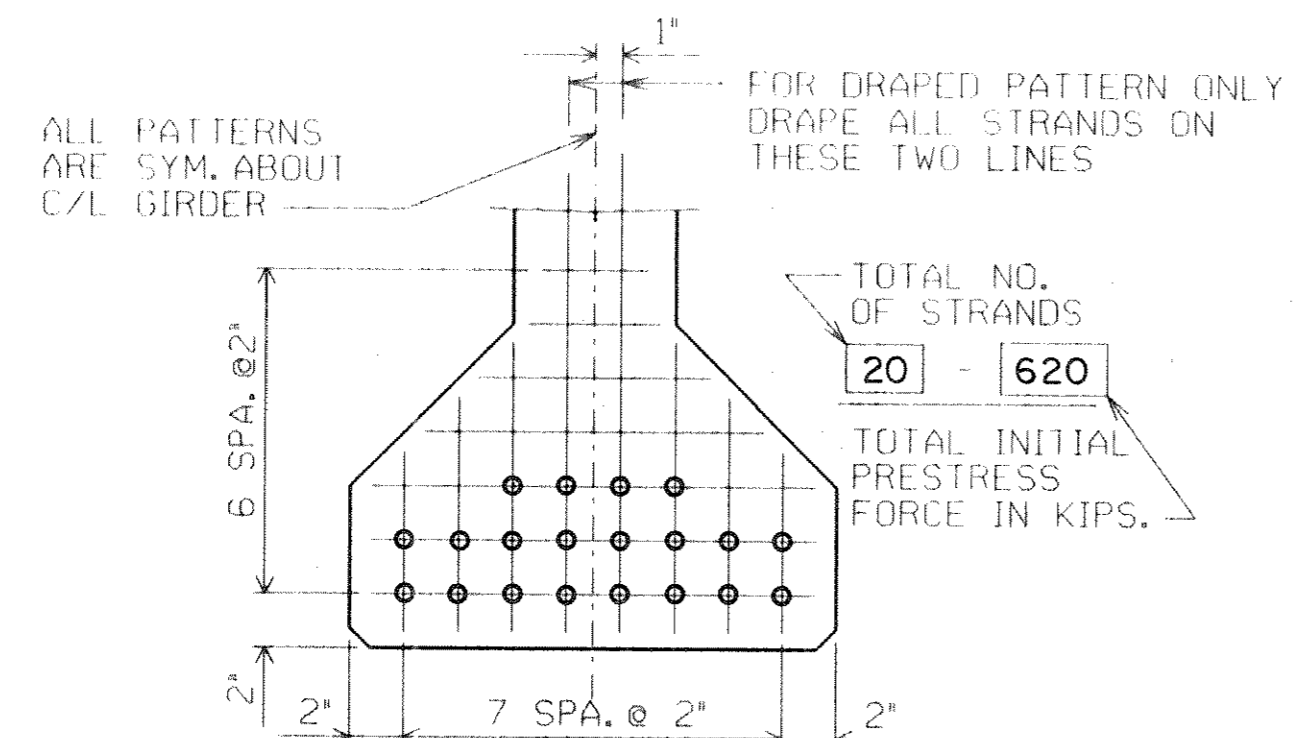


36" GIRDER - SIDE VIEW & TYP. SECTION IN SPAN

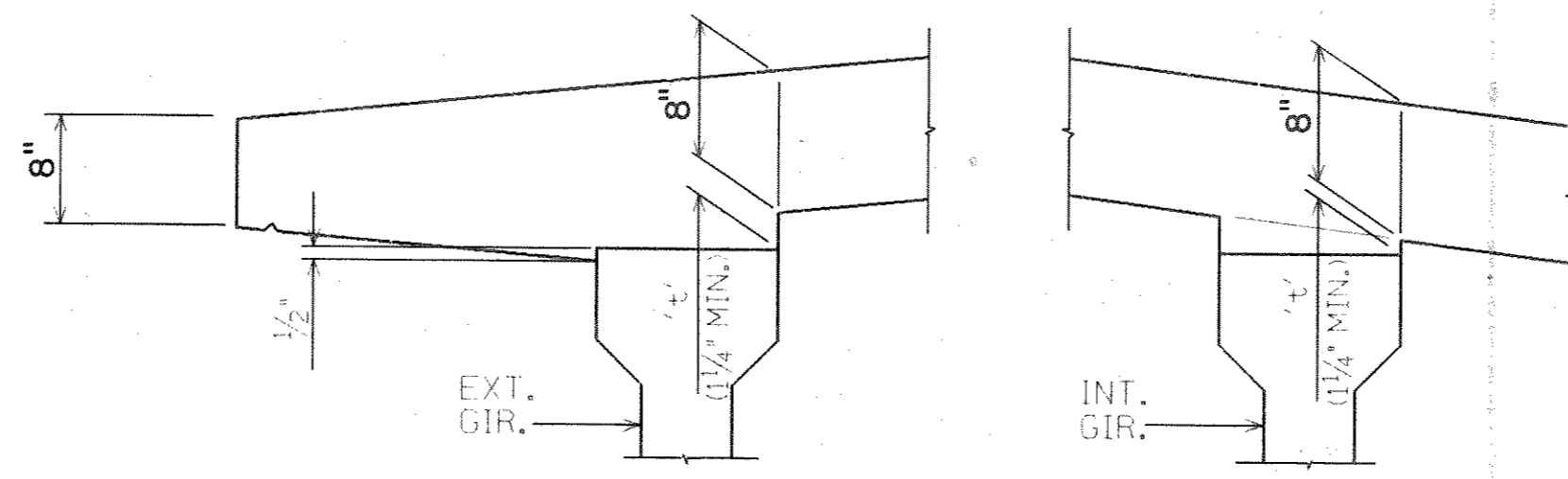
SPAN LENGTH	TYPE OF STRANDS	RATINGS	
		INVENTORY	OPERATING
70'-0"	LOW RELAXATION	HS23	HS37



CONC. DIAPHRAGM INSERT DETAILS
 TYPE "A" (0° SKEW) TYPE "B" (10° SKEW)

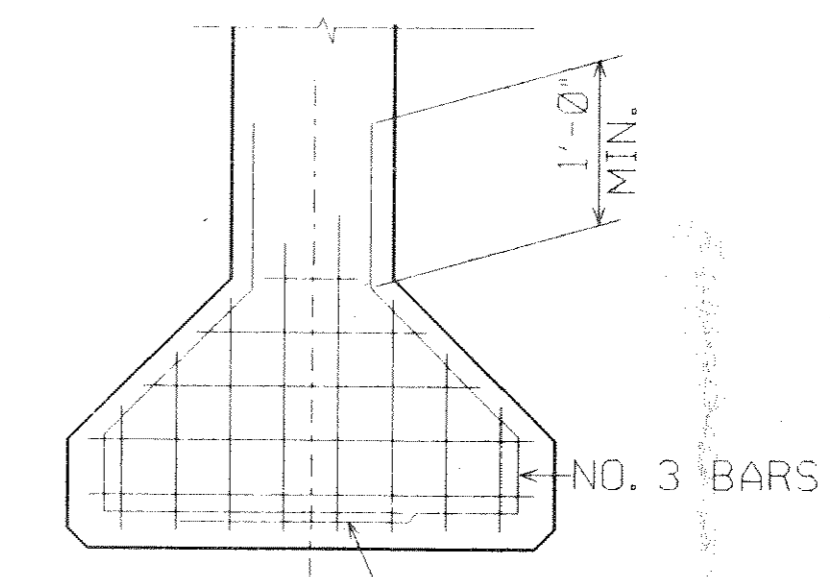


TYP. STRAND PATTERN



SLAB HAUNCH DETAIL

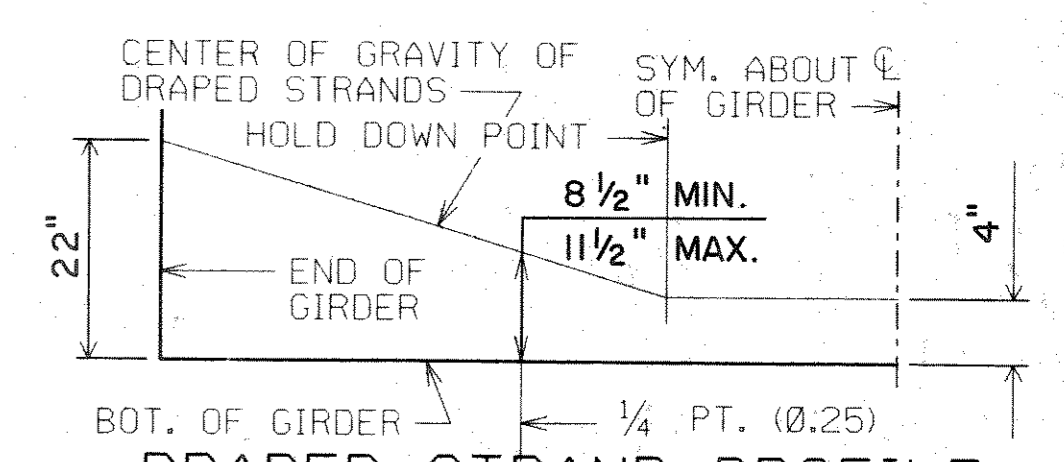
IF 1 1/4" MINIMUM HAUNCH THICKNESS 't' CANNOT BE MAINTAINED, THE GRADE LINE MAY BE REVISED BY THE ENGINEER AT THE OPTION OF THE CONTRACTOR. THE PLAN SLAB THICKNESS SHALL BE HELD. MAXIMUM HAUNCH HEIGHT EQUALS 'STIRRUP PROJECTION' MINUS 2 INCHES.



DETAIL A

TO DETERMINE 't': ELEV. OF TOP OF GIR. AT C/L OF SUBSTRUCTURE UNITS & AT 1/4 POINTS OF EACH SPAN SHALL BE TAKEN. THEN FOLLOW THIS PROCESS:

TOP OF DECK ELEV. AT FINAL GRADE
 - TOP OF GIRDER ELEVATION
 + DEFLECTION "E"
 - SLAB THICKNESS
 = HAUNCH THICKNESS "t"



DRAPED STRAND PROFILE

NO.	DATE	REVISION	BY
STATE OF WISCONSIN DEPARTMENT OF TRANSPORTATION DIVISION OF HIGHWAYS			
STRUCTURE B-35-112			
CONST. SPEC.	1989	DRAWN BY OMNNI	PLANS CK'D. JWT
36" PRESTRESSED GIRDER DETAILS			SHEET 7 OF 9 X83349