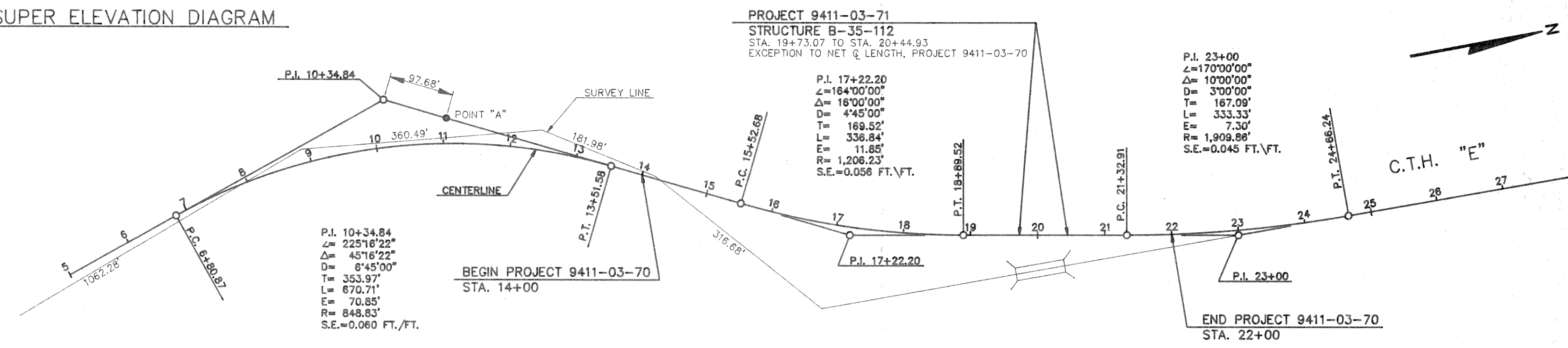
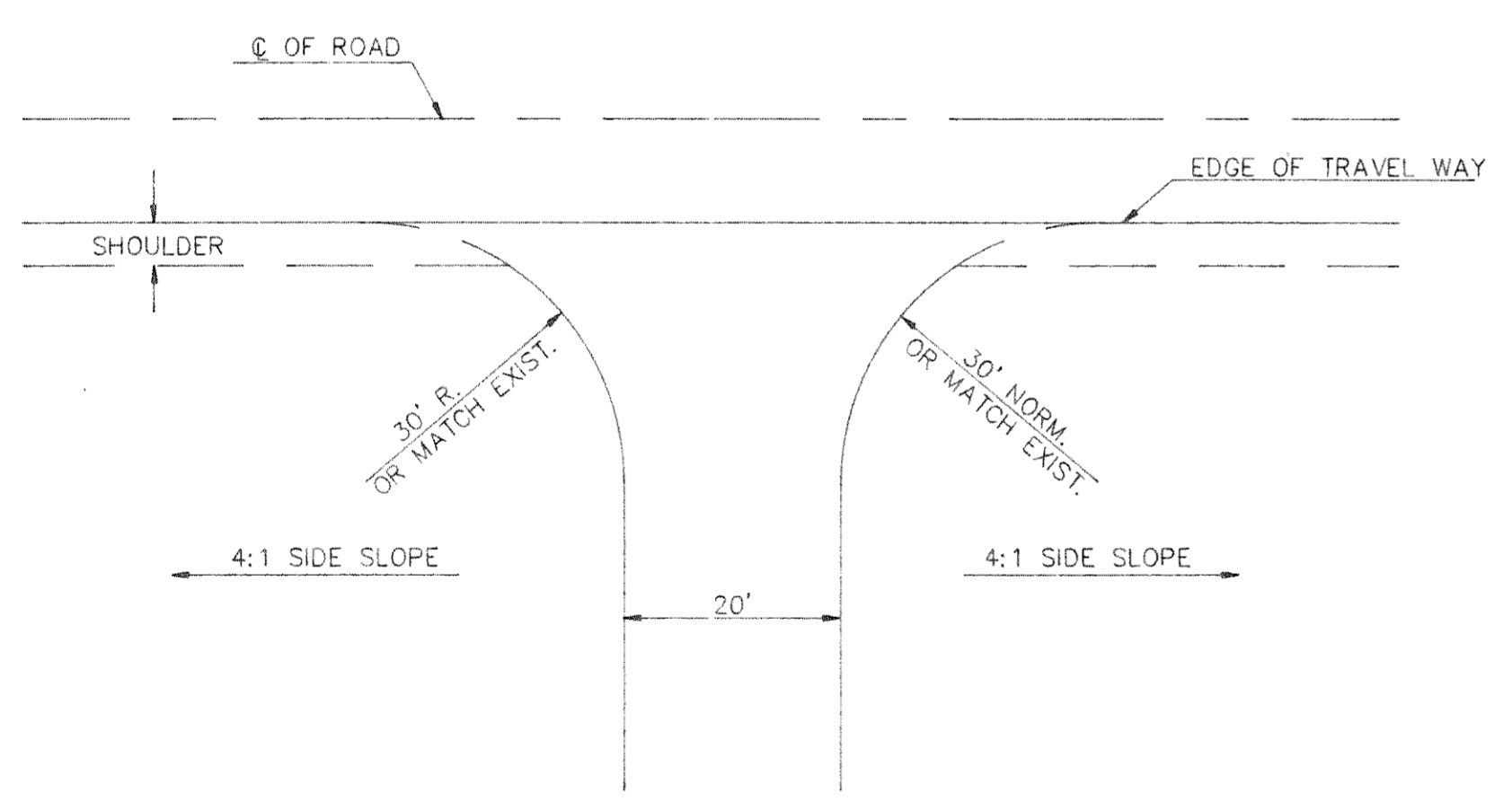


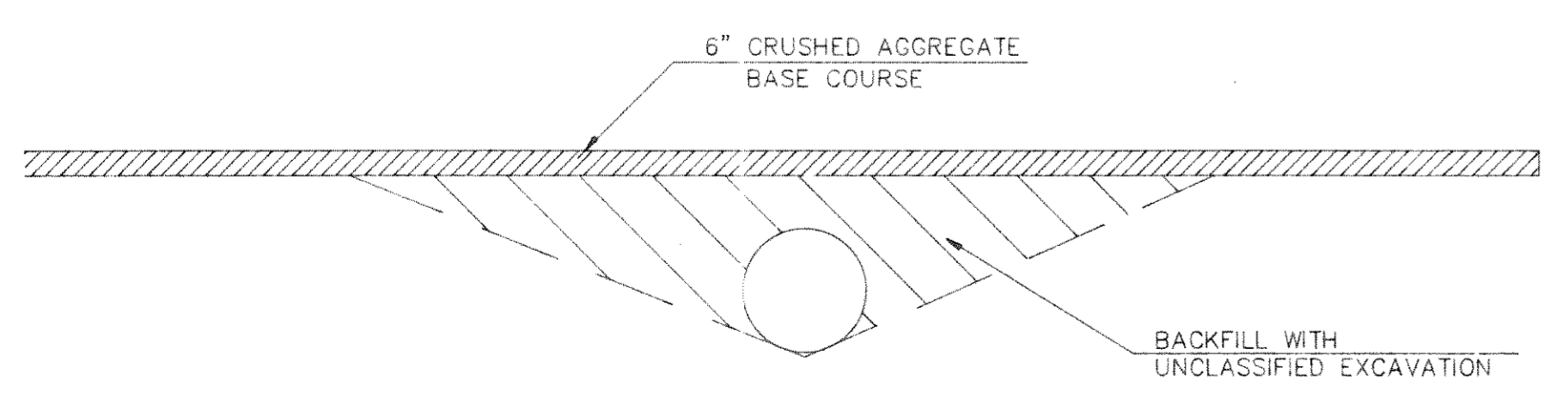
SUPER ELEVATION DIAGRAM



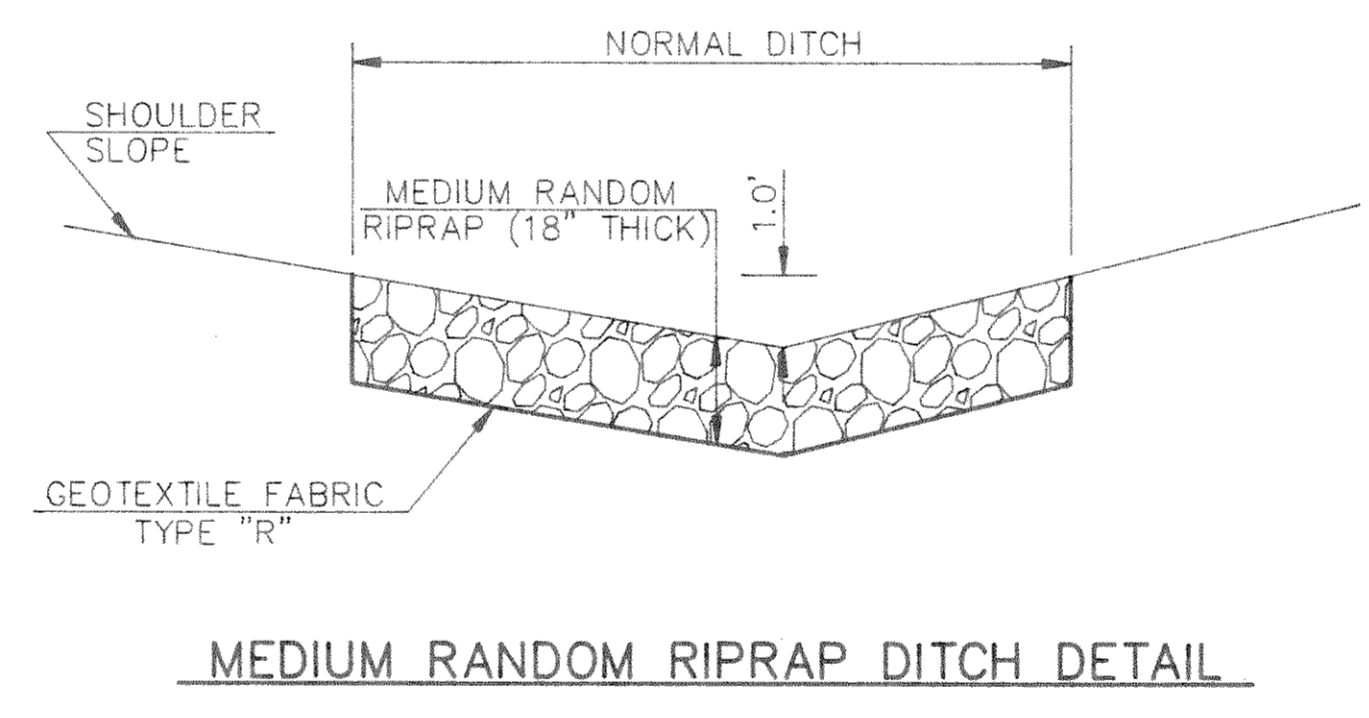
ALIGNMENT SKETCH



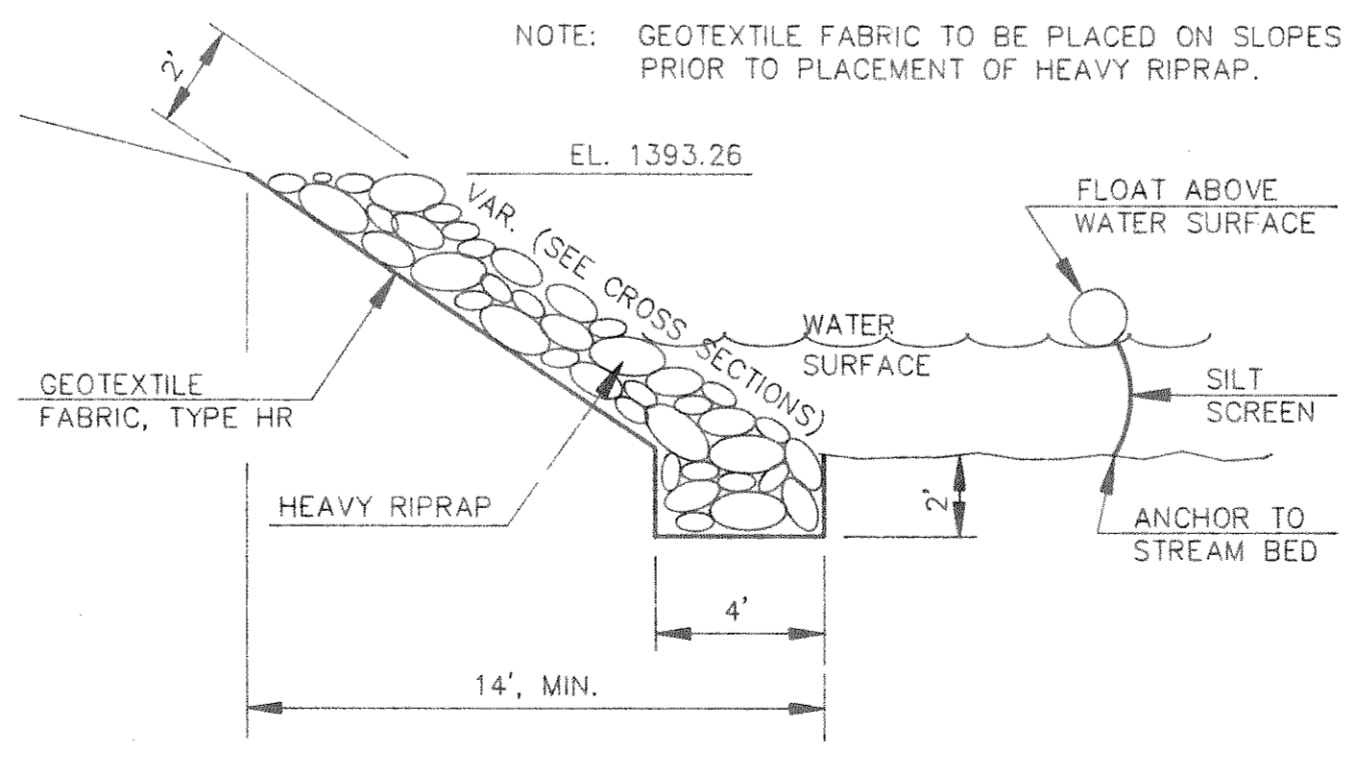
PLAN OF FIELD ENTRANCE



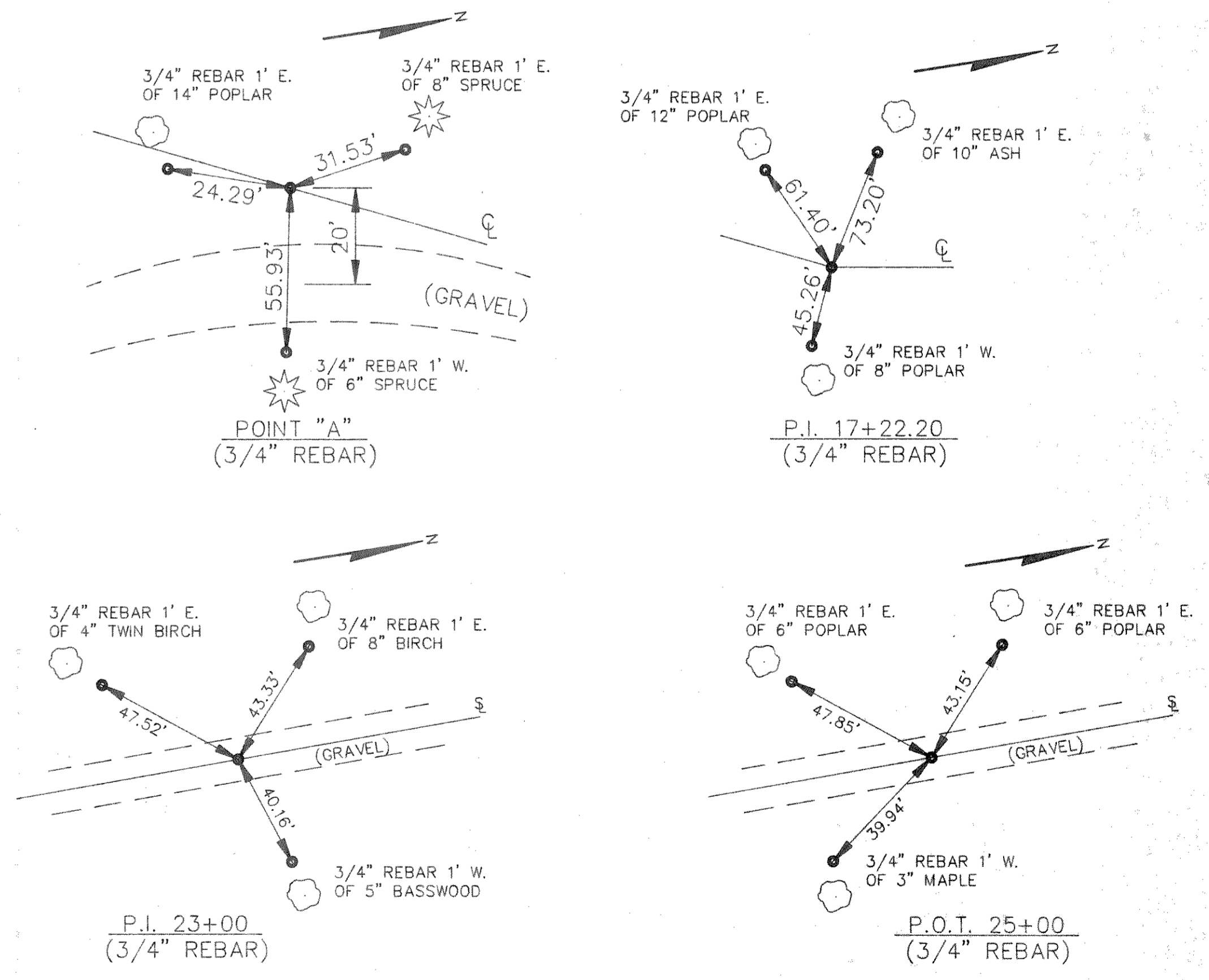
PROFILE OF FIELD ENTRANCE



MEDIUM RANDOM RIPRAP DITCH DETAIL



DETAIL FOR HEAVY RIPRAP AND SILT SCREEN



ALIGNMENT TIES