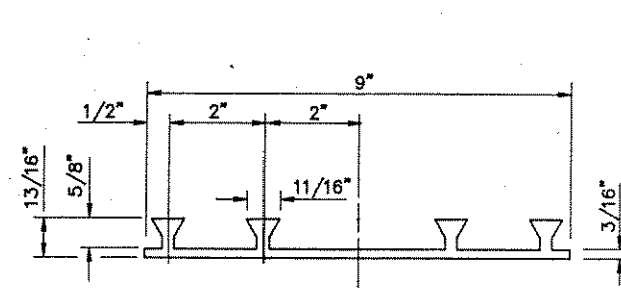
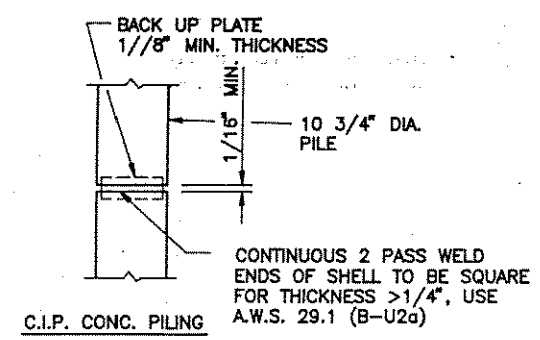


SECTION THRU ABUTMENT BODY



- 2" DIA. WEEP HOLE LOCATIONS SHOWN. USE GEOTEXTILE FABRIC. TYPE OF W/SELECT GRANULAR MATL. @ Ea. HOLE (ON B.F. 12"x12"x12" MIN.) COST TO BE INCIDENTAL TO "CONCRETE MASONRY BRIDGES."
- POLYVINYL CHLORIDE WATERSTOP TO EXTEND FULL WIDTH OF ABUT. SEAT & VERT. FROM SEAT TO TOP OF WINGS. P.C.W. SHALL BE BUTT-SPLICED AT ALL INTERSECTIONS BY USING A HEATED SPLICING IRON. HOLD FLUSH TO CONC.
- CONST. JOINT KEYWAY FORMED WITH A SURFACED, BEVELED 2' x 6'.
- SEAL ALL EXPOSED HORIZ. & VERT. SURFACES OF 1/2" FILLER WITH NON-STAINING GRAY NON-BITUMINOUS JOINT SEALER. (1" DEEP & HOLD 1/8" BELOW SURFACE OF CONC.)

No.	Date.	Revision	By
STATE OF WISCONSIN DEPARTMENT OF TRANSPORTATION DIVISION OF HIGHWAYS			
STRUCTURE B-35-105			
Const. Spec.	WIS. '89	Drawn By	T.R.L.
		Plans Checked	S.R.L.
ABUTMENTS			SHEET 3 OF 6
			X82686