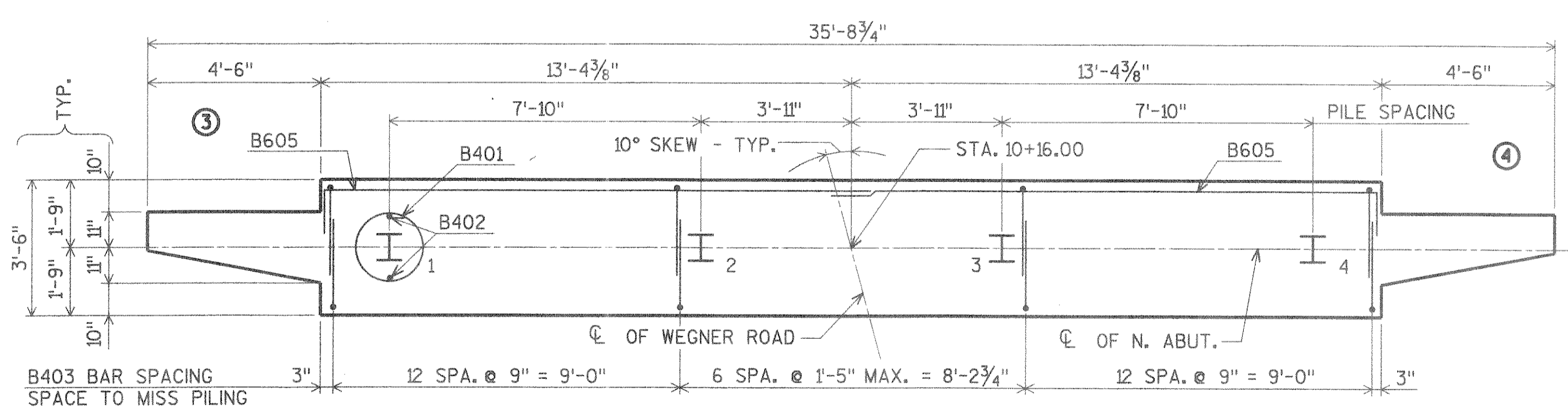
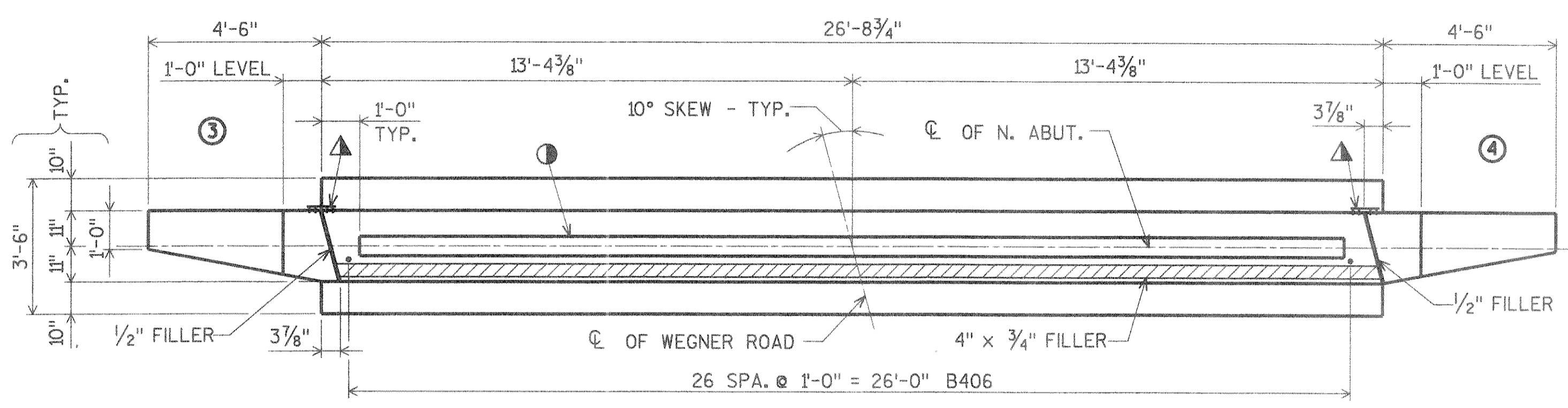
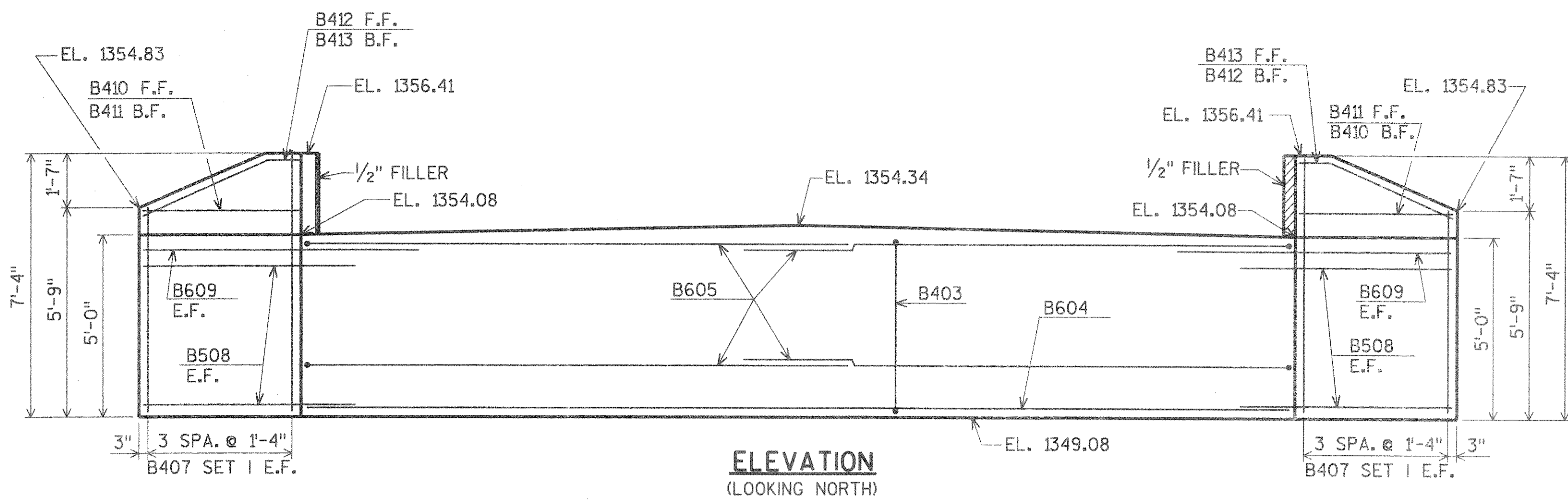
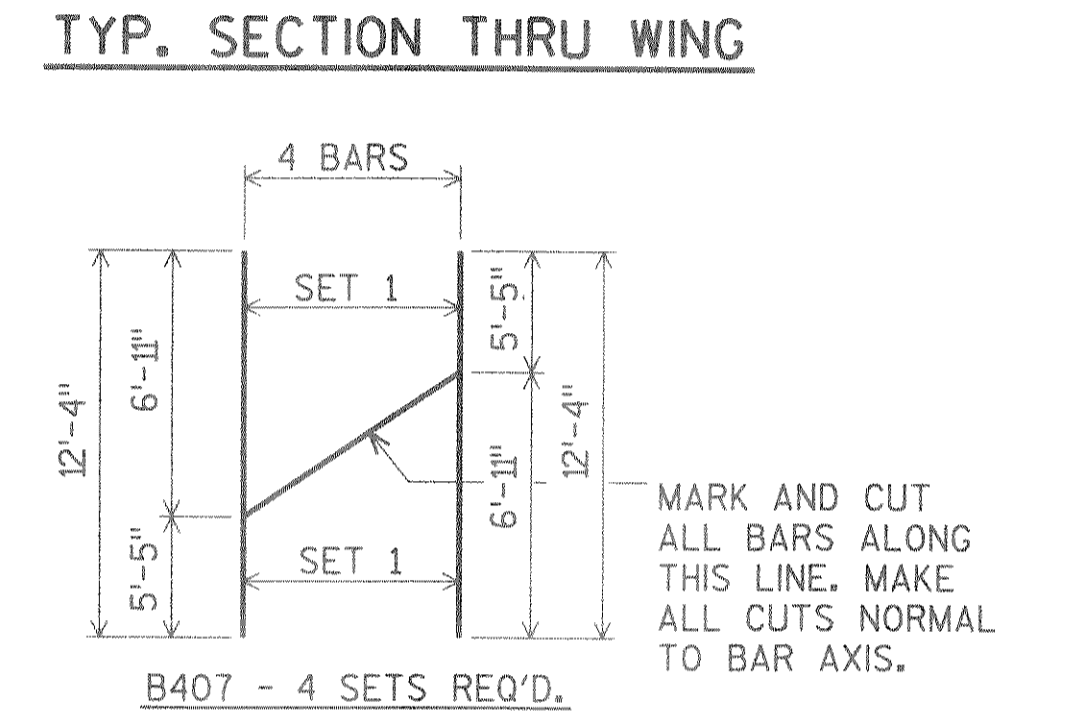
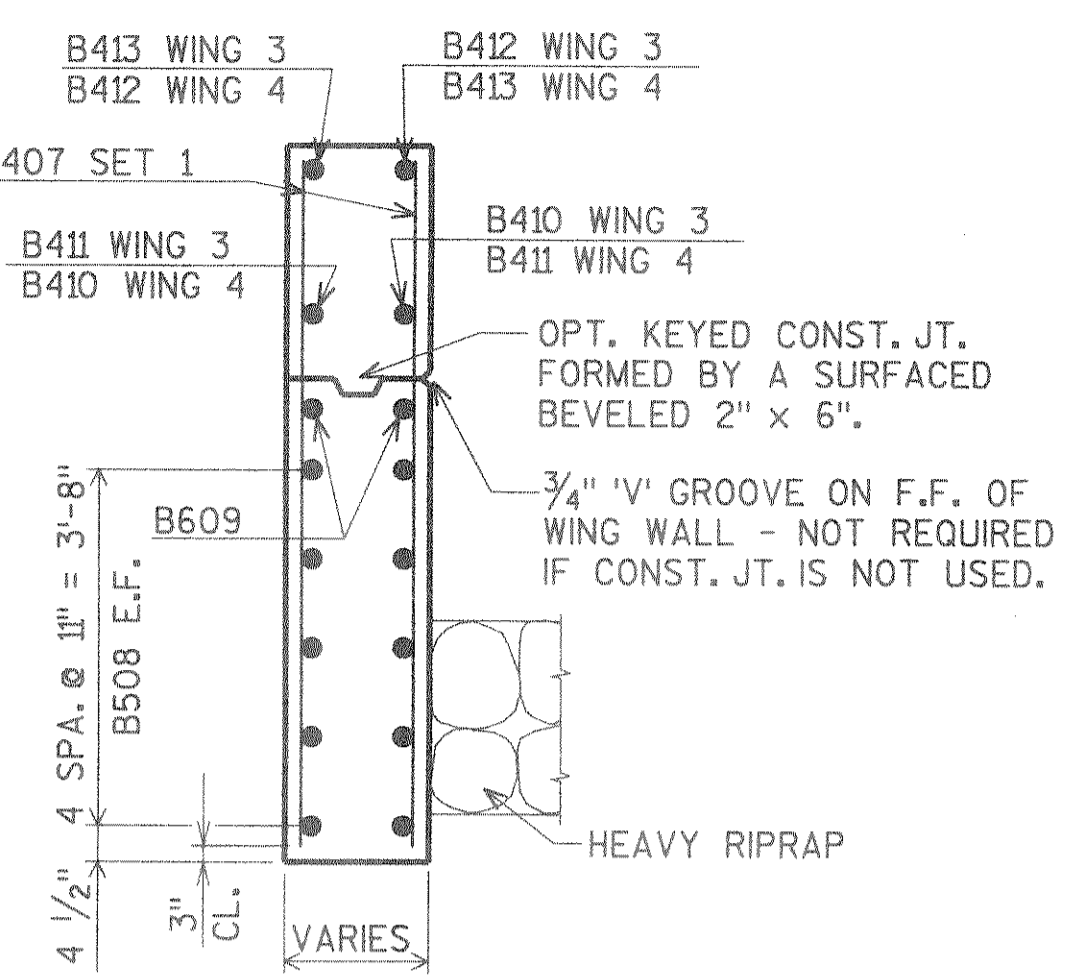


NOTE: SEAL ALL EXPOSED HORIZONTAL AND VERTICAL SURFACES OF 1/2" FILLER WITH NON-STAINING GRAY NON-BITUMINOUS JOINT SEALER. (1" DEEP AND HOLD 1/8" BELOW SURFACE OF CONCRETE.)

PEN TABLE = collgbr.tbl
DATE OF PLOT = 01/21/94
DESIGN FILE IS /usr/work/trbridge/5019na.dgn
CON LEVELS ON = 1-63



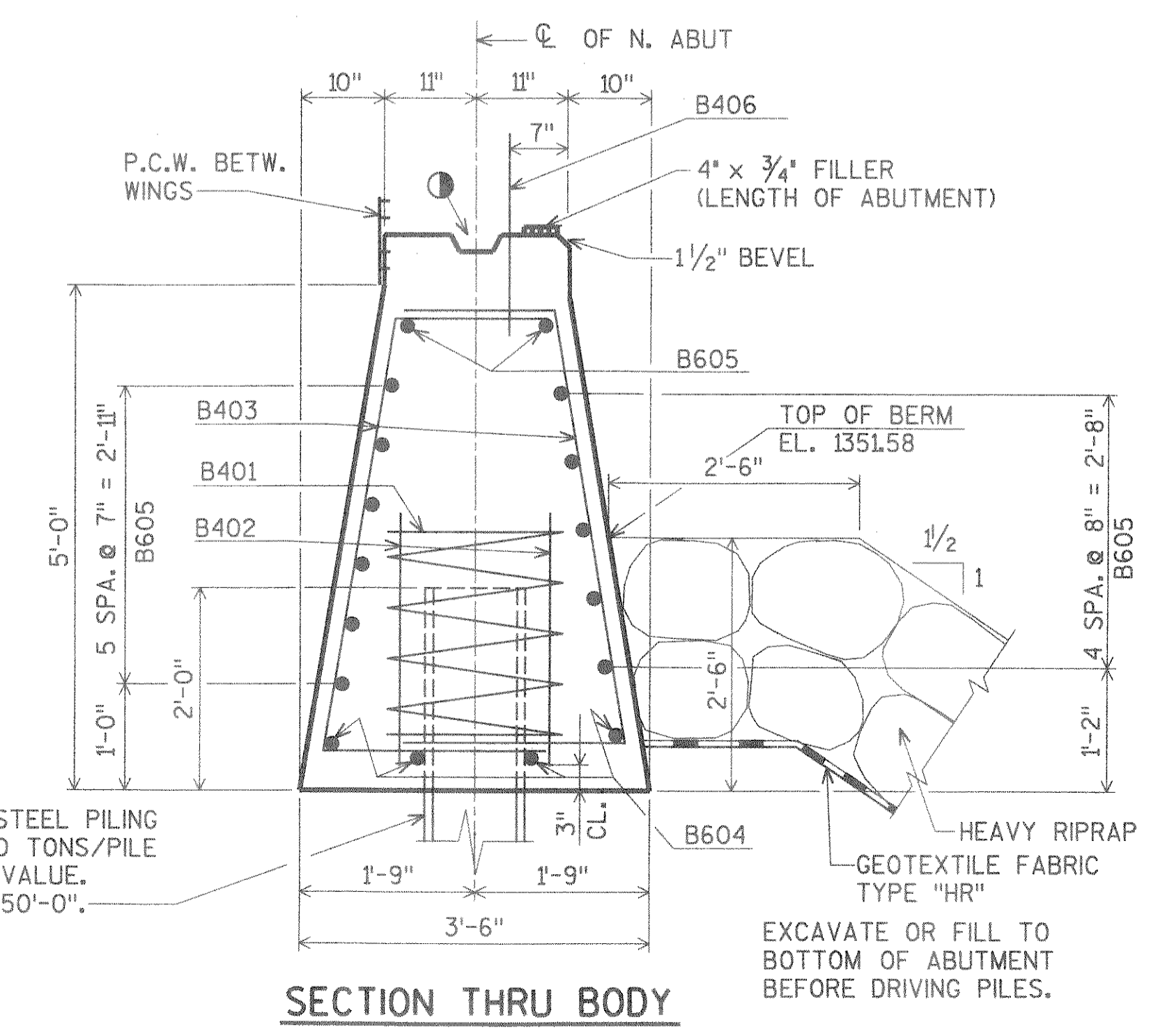
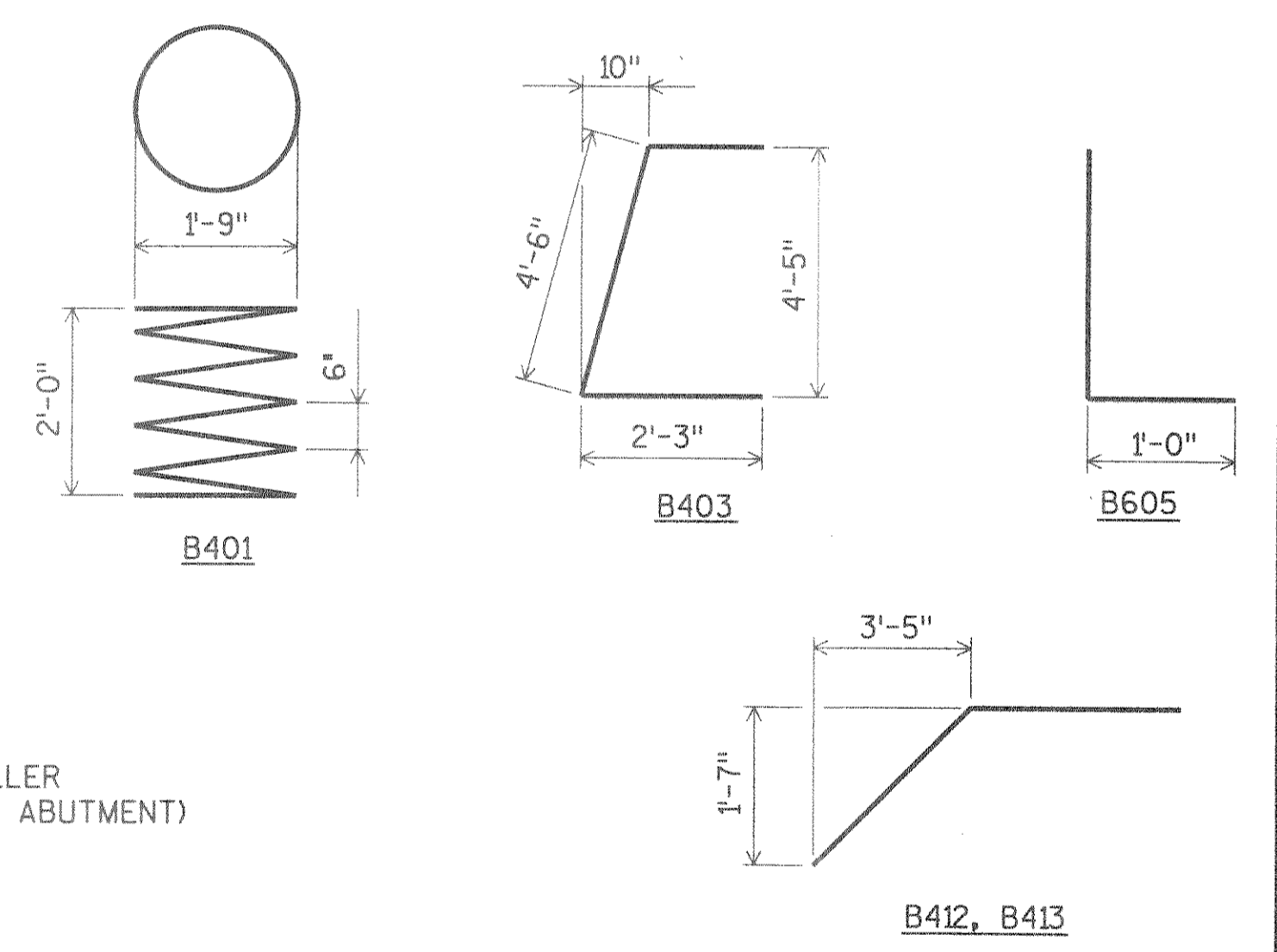
- ⊙ KEYED CONST. JOINT - FORMED BY A SURFACED BEVELED 2" x 6".
 - ▲ VERT. P.C.W. TO EXTEND FROM BRIDGE SEAT TO TOP OF WING. SPLICE AT JUNCTION WITH HORIZ. WATERSTOP BY USING A HEATED SPLICING IRON. HOLD P.C.W. FLUSH WITH CONCRETE.
- P.C.W. DENOTES POLYVINYL CHLORIDE WATERSTOP. SEE SHEET 2 FOR DETAILS.
FOR PILE SPLICE DETAIL SEE SHEET 2.
- SEAL ALL VERTICAL ENDS OF P.C.W. WITH NON-STAINING GRAY NON-BITUMINOUS JOINT SEALER.



BILL OF BARS

BAR NO.	NO. REQ'D.	LENGTH	BENT BAR	COATED BAR	CUT-DIAGR.	LOCATION
1480# UNCOATED						
B401	4	28-0	X			BODY @ PILES
B402	8	2-3				BODY @ PILES
B403	62	8-1	X			BODY VERT.
B404	4	26-4				BODY HORIZ.
B405	26	15-6	X			BODY HORIZ.
B406	27	2-0				BODY DOWELS
B407	8	12-4	X			WING 3 & 4 VERT. E.F. SET 1
B408	20	5-10				WING 3 & 4 HORIZ. E.F.
B409	4	7-7				WING 3 & 4 HORIZ. E.F.
B410	2	4-4				WING 3 F.F., WING 4 B.F. HORIZ.
B411	2	4-1				WING 3 B.F., WING 4 F.F. HORIZ.
B412	2	4-8	X			WING 3 F.F., WING 4 B.F. DIAG.
B413	2	4-5	X			WING 3 B.F., WING 4 F.F. DIAG.

BENDING DIMENSIONS ARE OUT TO OUT OF BARS.
B.F. DENOTES BACK FACE.
F.F. DENOTES FRONT FACE.
E.F. DENOTES EACH FACE.



B406 BARS MAY BE PLACED AFTER ABUT. IS POURED BUT BEFORE CONC. HAS SET. IMBED BARS 1'-0\"/>

EXCAVATE OR FILL TO BOTTOM OF ABUTMENT BEFORE DRIVING PILES.

No.	Date	Revision	By
PLANS PREPARED BY			
AYRES ASSOCIATES			
Engineers/Architects Planners/Surveyors Owen Ayres & Associates Inc. Eau Claire, Wisconsin			
STATE OF WISCONSIN DEPARTMENT OF TRANSPORTATION			
STRUCTURE B-35-126			
Const. Spec.	1989	Drawn By	CLS
		Plans Checked	C.B.M.
NORTH ABUTMENT			SHEET 5 OF 7

CHECKED BY: _____
BACK CHECKED BY: _____
CORRECTED BY: _____

REF NC
REF LN

REFERENCE FILES
REF NB
REF LN

REF NA
REF LN