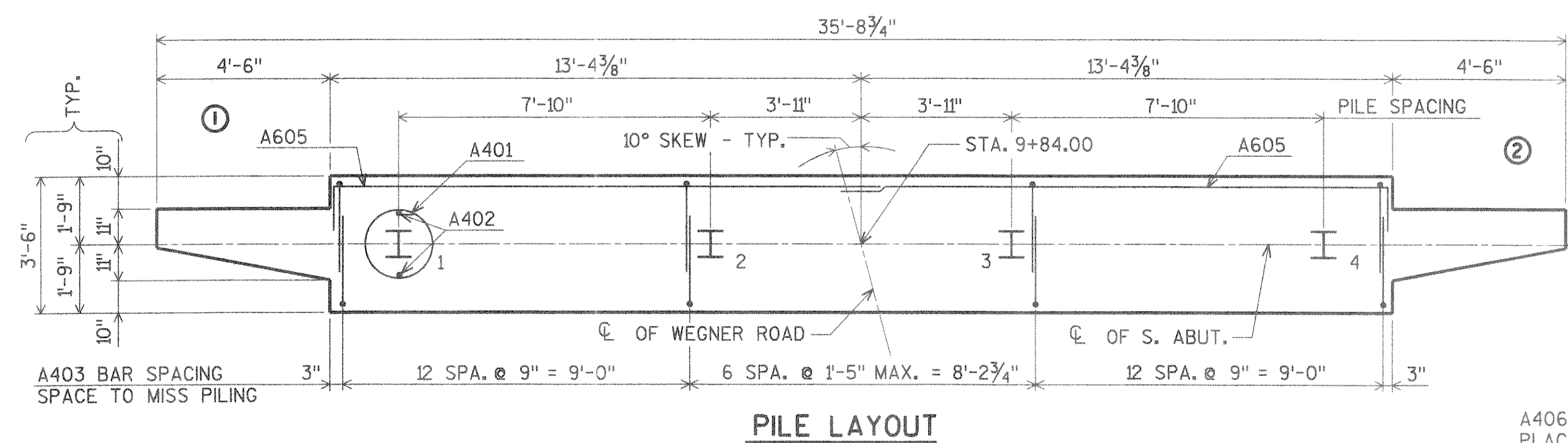
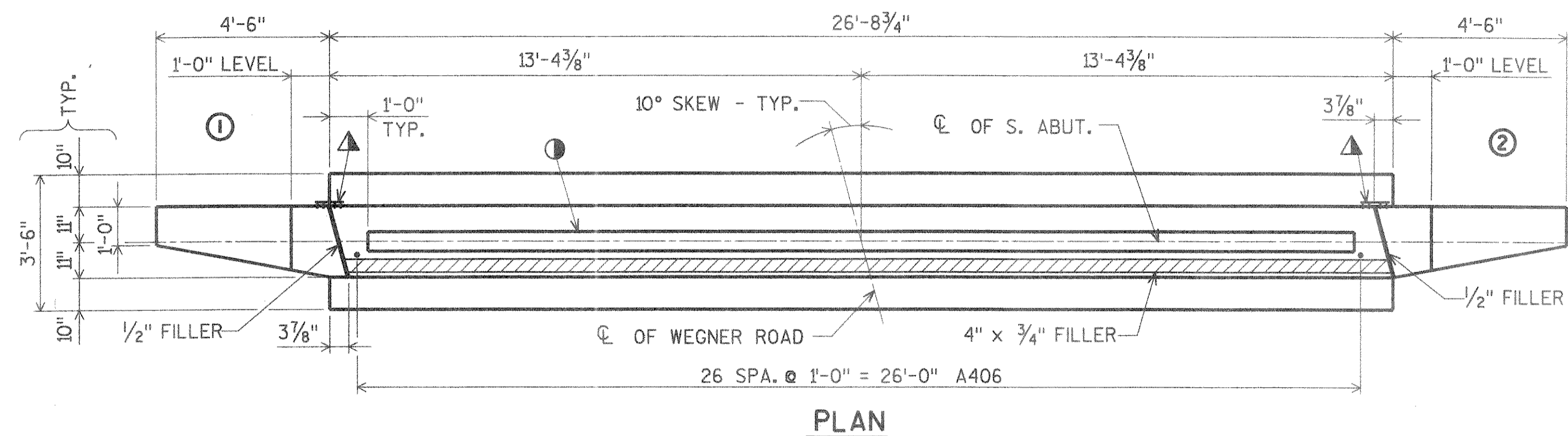
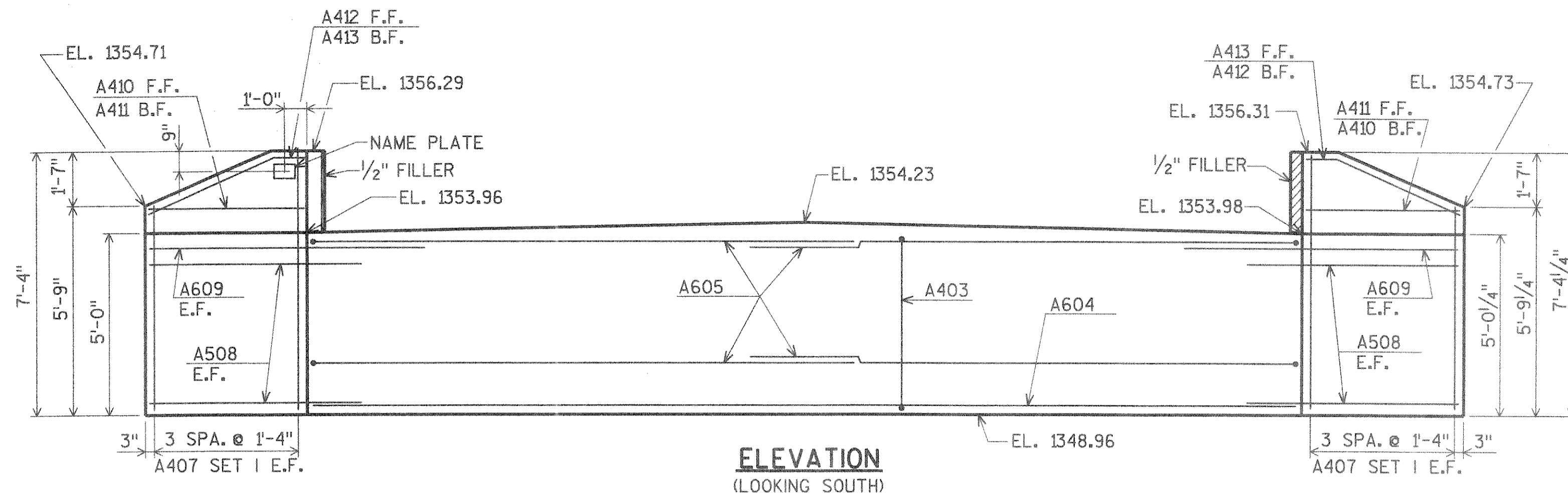


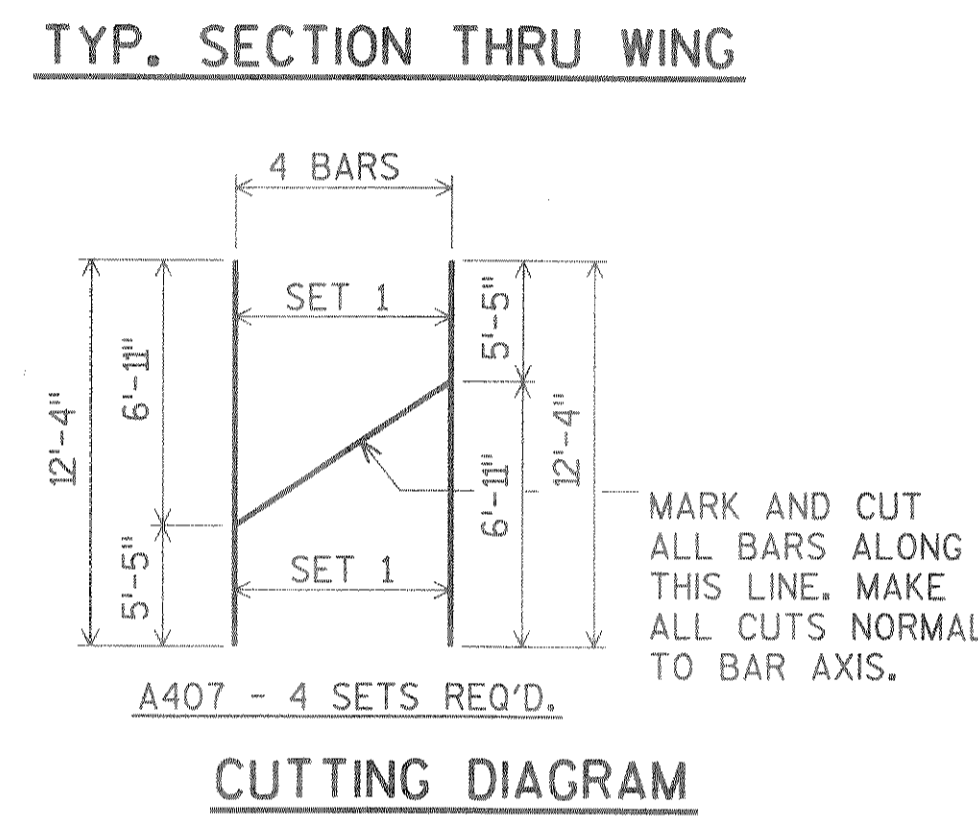
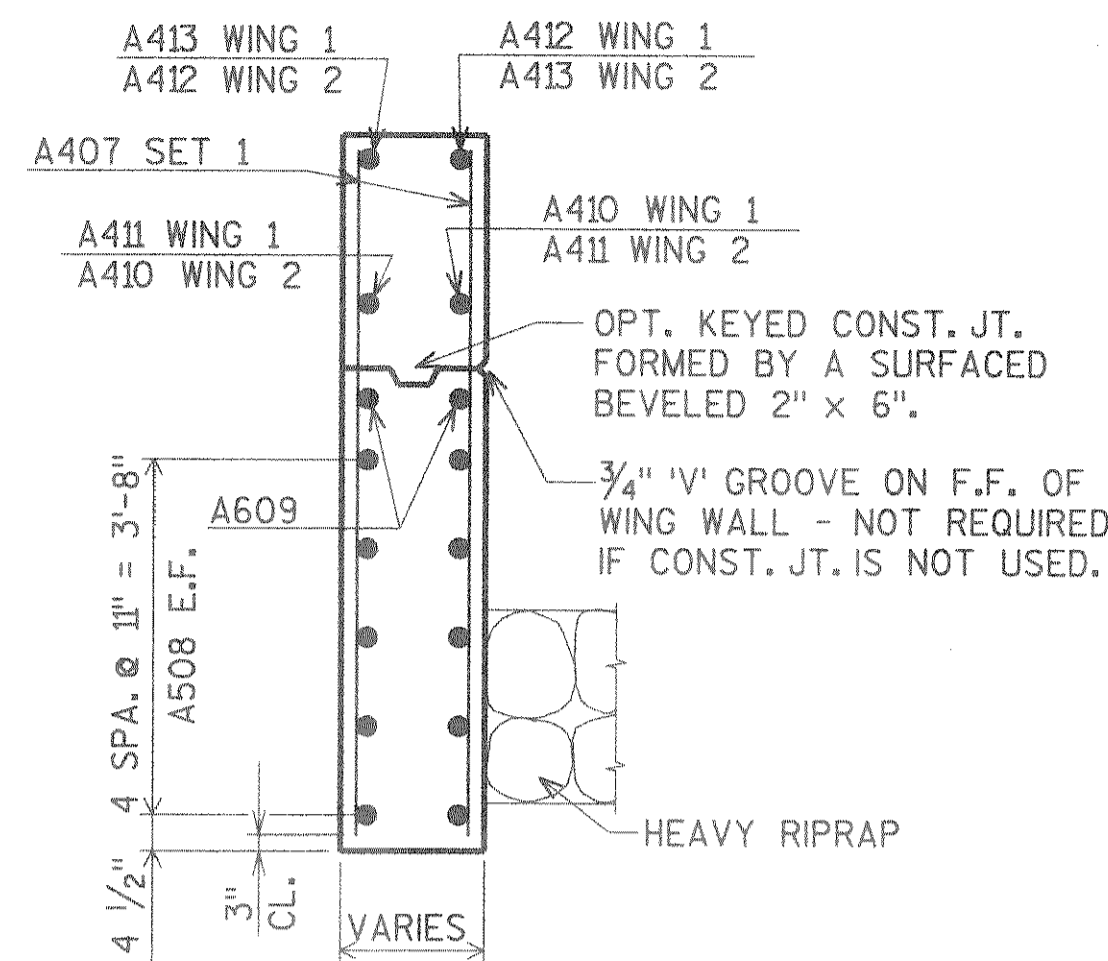
NOTE: SEAL ALL EXPOSED HORIZONTAL AND VERTICAL SURFACES OF 1/2" FILLER WITH NON-STAINING GRAY NON-BITUMINOUS JOINT SEALER. (1" DEEP AND HOLD 1/8" BELOW SURFACE OF CONCRETE.)

PEN TABLE = collgbr.tbl  
 DATE OF PLOT = 01/21/94  
 DESIGN FILE IS /usr/work/trbrldge/5019sa.dgn  
 DGN LEVELS ON = 1-63



- KEYED CONST. JOINT - FORMED BY A SURFACED BEVELED 2" x 6".
- VERT. P.C.W. TO EXTEND FROM BRIDGE SEAT TO TOP OF WING. SPLICE AT JUNCTION WITH HORIZ. WATERSTOP BY USING A HEATED SPLICING IRON. HOLD P.C.W. FLUSH WITH CONCRETE.
- P.C.W. DENOTES POLYVINYL CHLORIDE WATERSTOP. SEE SHEET 2 FOR DETAILS.
- FOR PILE SPLICE DETAIL SEE SHEET 2.
- SEAL ALL VERTICAL ENDS OF P.C.W. WITH NON-STAINING GRAY NON-BITUMINOUS JOINT SEALER.

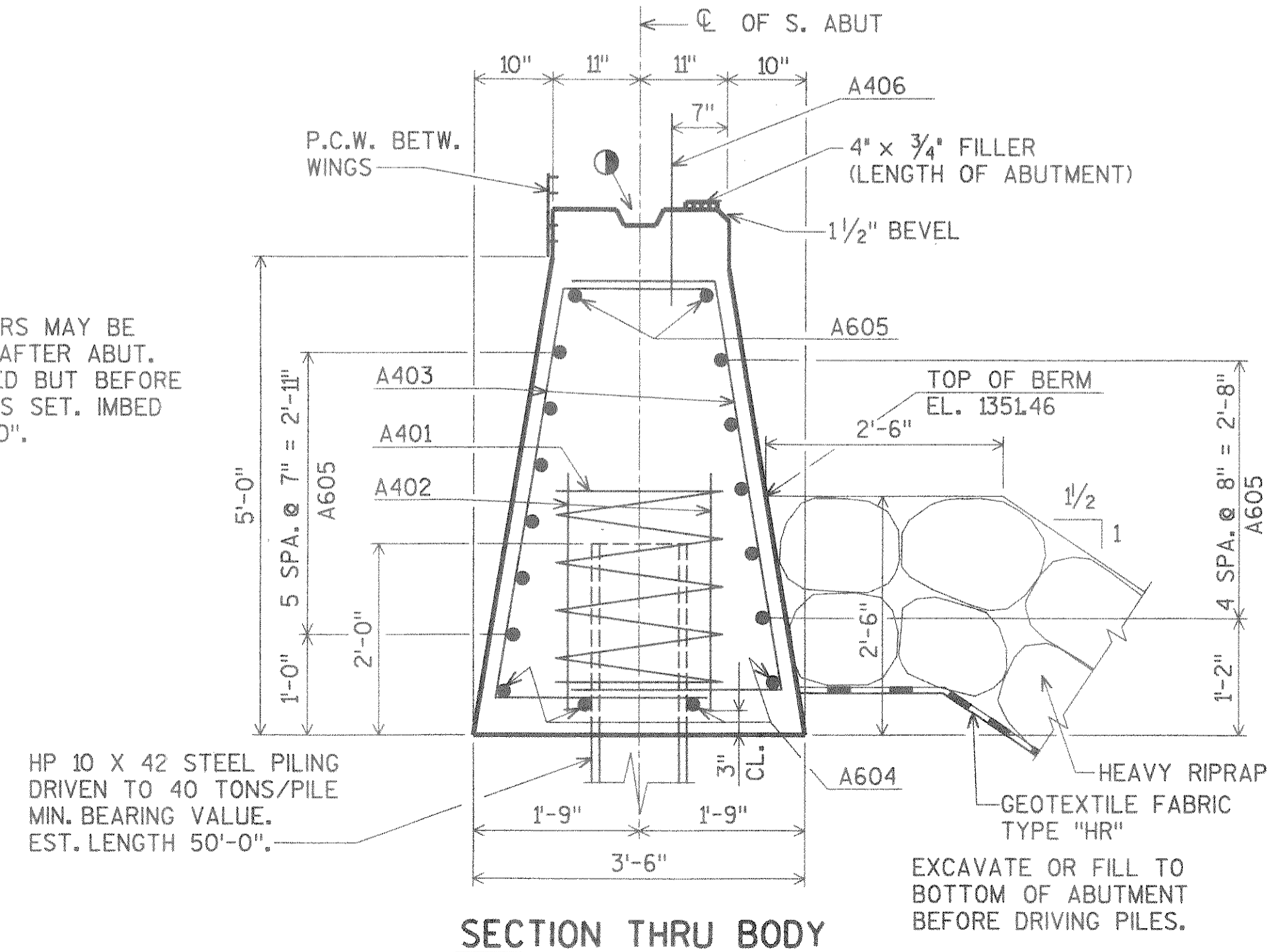
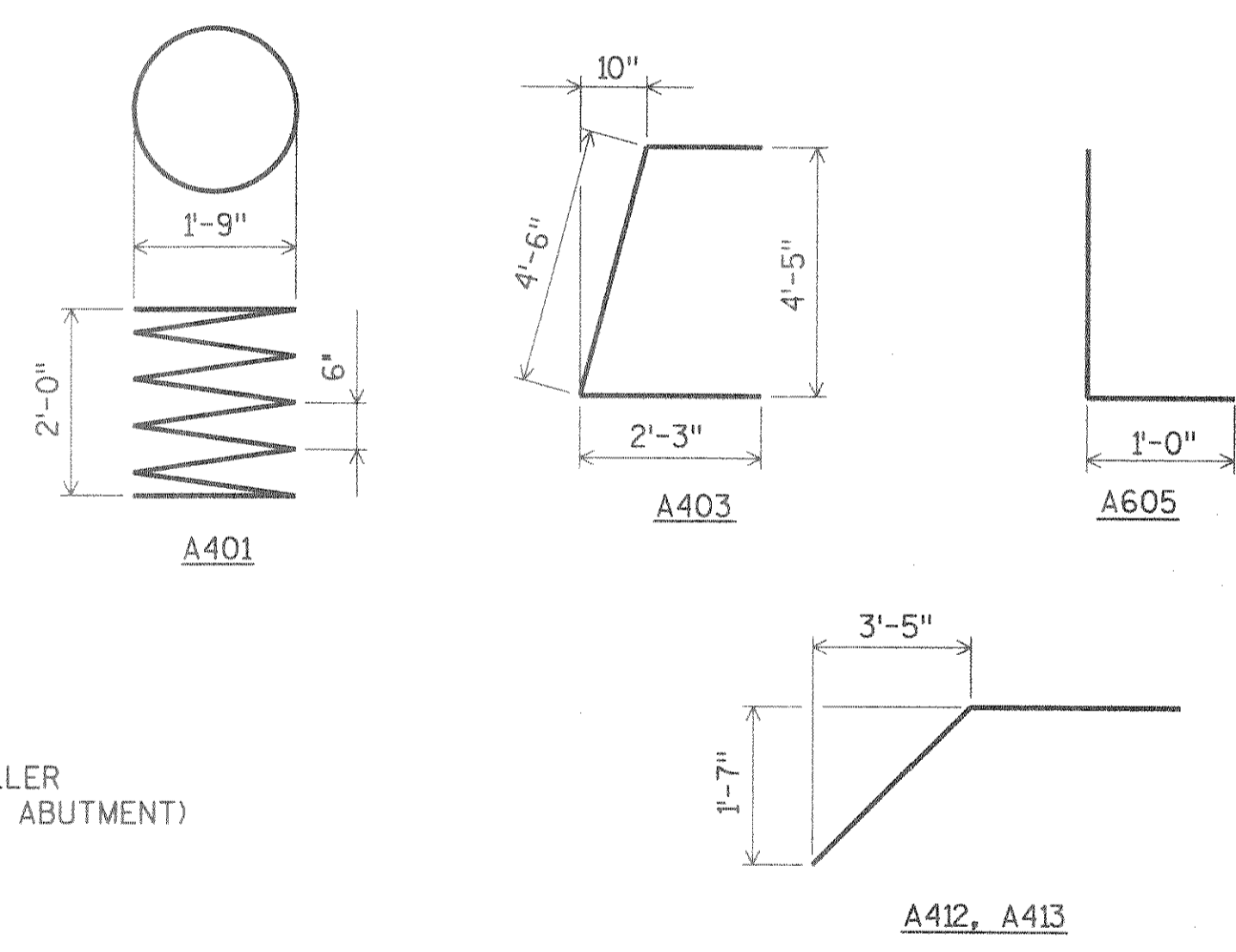
A406 BARS MAY BE PLACED AFTER ABUT. IS POURED BUT BEFORE CONC. HAS SET. IMBED BARS 1'-0".



**BILL OF BARS**

BAR NO.	NO. REQ'D.	LENGTH	BENT BAR	COATED BAR	CUT. DIAG.	LOCATION
1,480* UNCOATED						
BODY @ PILES						
A401	4	28-0	X			BODY @ PILES
A402	8	2-3				BODY @ PILES
A403	62	8-1	X			BODY VERT.
A604	4	26-4				BODY HORIZ.
A605	26	15-6	X			BODY HORIZ.
A406	27	2-0				BODY DOWELS
A407	8	12-4	X			WING 1 & 2 VERT. E.F. SET 1
A508	20	5-10				WING 1 & 2 HORIZ. E.F.
A609	4	7-7				WING 1 & 2 HORIZ. E.F.
A410	2	4-4				WING 1 F.F., WING 2 B.F. HORIZ.
A411	2	4-1				WING 1 B.F., WING 2 F.F. HORIZ.
A412	2	4-8	X			WING 1 F.F., WING 2 B.F. DIAG.
A413	2	4-5	X			WING 1 B.F., WING 2 F.F. DIAG.

BENDING DIMENSIONS ARE OUT TO OUT OF BARS.  
 B.F. DENOTES BACK FACE.  
 F.F. DENOTES FRONT FACE.  
 E.F. DENOTES EACH FACE.



PLANS PREPARED BY  
**AYRES ASSOCIATES** Engineers/Architects  
 Planners/Surveyors  
 Owen Ayres & Associates Inc.  
 Eau Claire, Wisconsin

STATE OF WISCONSIN  
 DEPARTMENT OF TRANSPORTATION

STRUCTURE B-35-126

Const. Spec. 1989 Drawn By CLS Plans Checked C.B.M.

**SOUTH ABUTMENT**

SHEET 4 OF 7

CHECKED BY:  
 BACK CHECKED BY:  
 CORRECTED BY:

REF NC  
 REFLNC  
 REF NB  
 REFLNB  
 REF NA  
 REFLNA