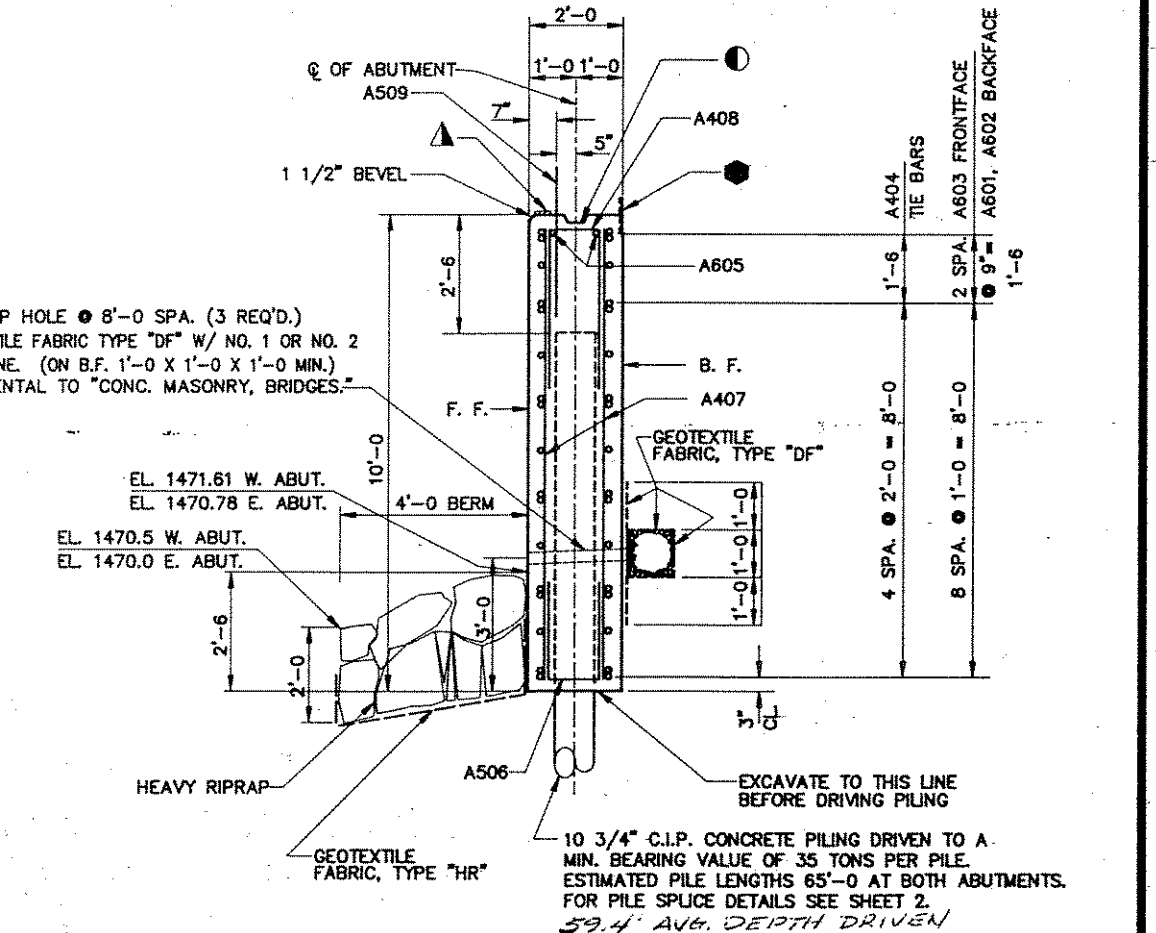
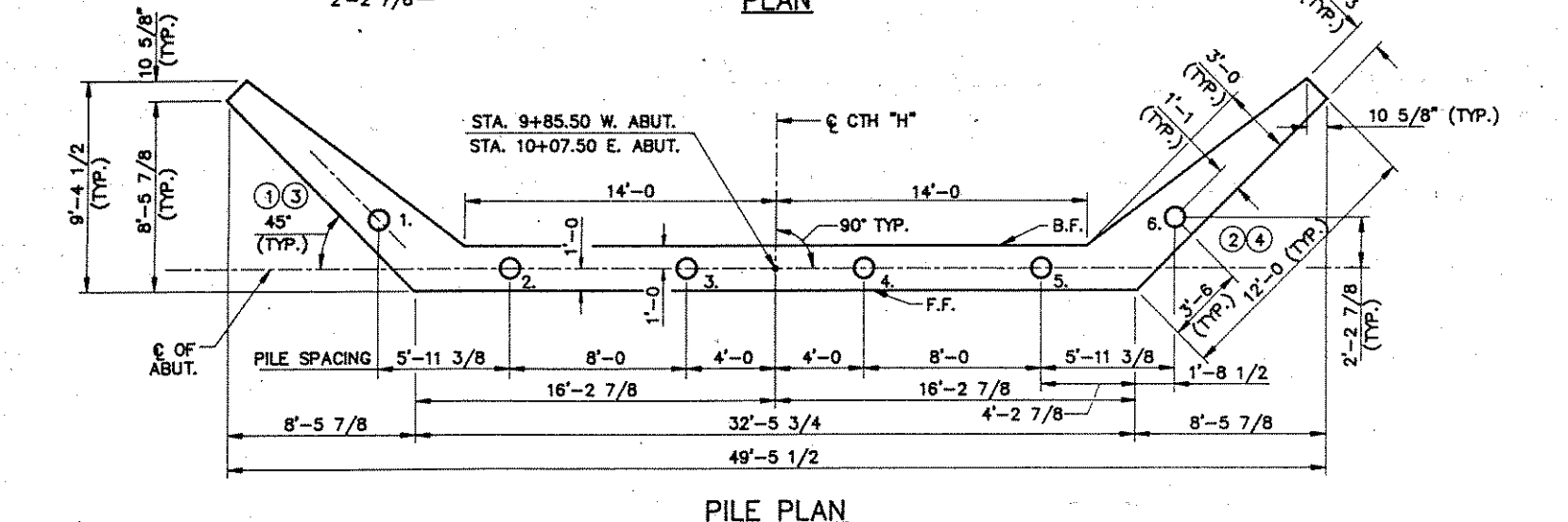
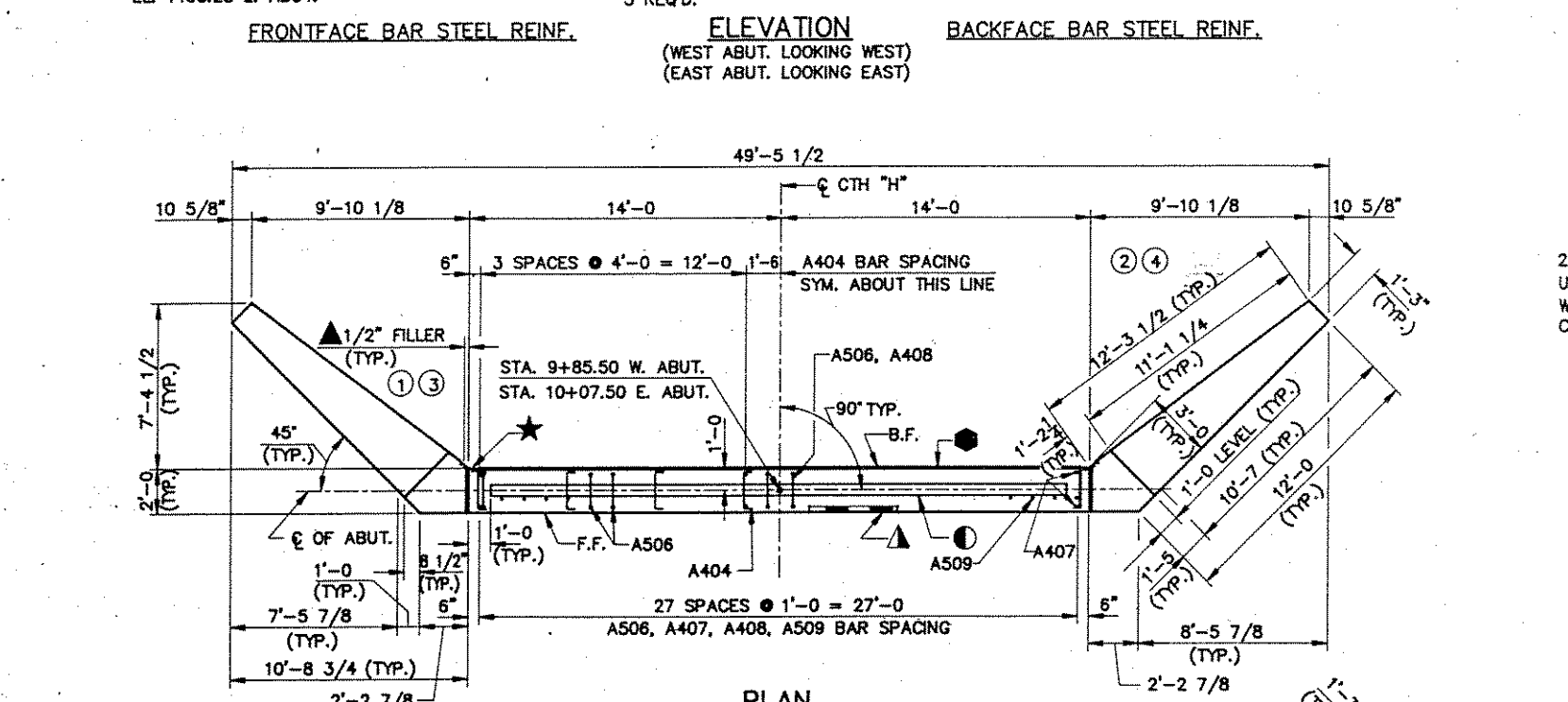


- LEGEND**
- — KEYED CONSTRUCTION JOINT FORMED BY SURFACED & BEVELED 2 X 6.
 - ★ — VERTICAL P.C.W. EXTEND FROM 5" BELOW BRIDGE SEAT TO 1" BELOW THE TOP OF WINGS. BUTT-SPLICE AT ALL INTERSECTIONS WITH HORIZ. P.C.W. BY USING A HEATED SPLICING IRON. HOLD FLUSH WITH FACE OF CONCRETE.
 - — HORIZONTAL P.C.W., EXTEND BETWEEN VERT. P.C.W. AT WINGS. HOLD FLUSH WITH FACE OF CONCRETE.
 - ▲ — 1/2" FILLER EXTEND AS SHOWN. SEAL ALL EXPOSED HORIZ. & VERT. SURFACES OF FILLER WITH NON-STAINING GRAY, NON-BITUMINOUS JOINT SEALER. (1" DEEP & HOLD 1/8" BELOW SURFACE OF CONCRETE).
 - ▲ — 4" X 3/4" FILLER, EXTEND FULL LENGTH OF ABUTMENT BETWEEN EDGES OF SLAB.
- FOR P.C.W. DETAILS SEE SHEET 2



No.	Date	Revision	By
STATE OF WISCONSIN DEPARTMENT OF TRANSPORTATION DIVISION OF HIGHWAYS			
STRUCTURE B-35-108			
Const. Spec.	WI "89"	Drawn By	Phone Checked
		RLR	PAC
ABUTMENTS			SHEET 4 OF 7
X82780			