

BENCHMARKS				STATE PROJECT NUMBER	SHEET NO.
NO.	STA.	DESCRIPTION	ELEV.	9427-02-70	8.0
1	10+11	CHISELED SQUARE ON N.E. WINGWALL, 11' LT.	1477.41		
2	8+55	R.R. SPIKE IN E. FACE 36" RED PINE, 66' RT.	1486.96		
3	11+58	DOUBLE NAIL IN W. FACE 6" POPLAR, 43' LT.	1477.55	NEW STRUCTURE 3M DOT MON. EAST WINGWALL ELEV. 1480.20	

DESIGN DATA

LIVELOAD

DESIGN RATING : HS-20
 INVENTORY RATING : HS-22
 OPERATIONAL RATING : HS-37
 STRUCTURE IS DESIGNED FOR A FUTURE WEARING SURFACE OF 20 POUNDS PER SQUARE FOOT.
 MAX. STD. PERMIT VEHICLE LOAD = 180 KIPS.

ALLOWABLE DESIGN STRESSES:

CONCRETE MASONRY - SLAB _____ $f_c' = 4,000$ P.S.I.
 - ALL OTHER _____ $f_c' = 3,500$ P.S.I.
 HIGH STRENGTH AND COATED HIGH STRENGTH
 BAR STEEL REINFORCEMENT, GRADE 60 _____ $f_y = 60,000$ P.S.I.

FOUNDATION DATA:

ABUTMENTS SHALL BE SUPPORTED ON 10 3/4" ϕ C.I.P. CONCRETE PILING DRIVEN TO A MIN. BEARING VALUE OF 35 TONS PER PILE. ESTIMATED PILE LENGTHS ARE 65'-0" AT BOTH ABUTMENTS.

HYDRAULIC DATA:

100 YEAR FREQUENCY

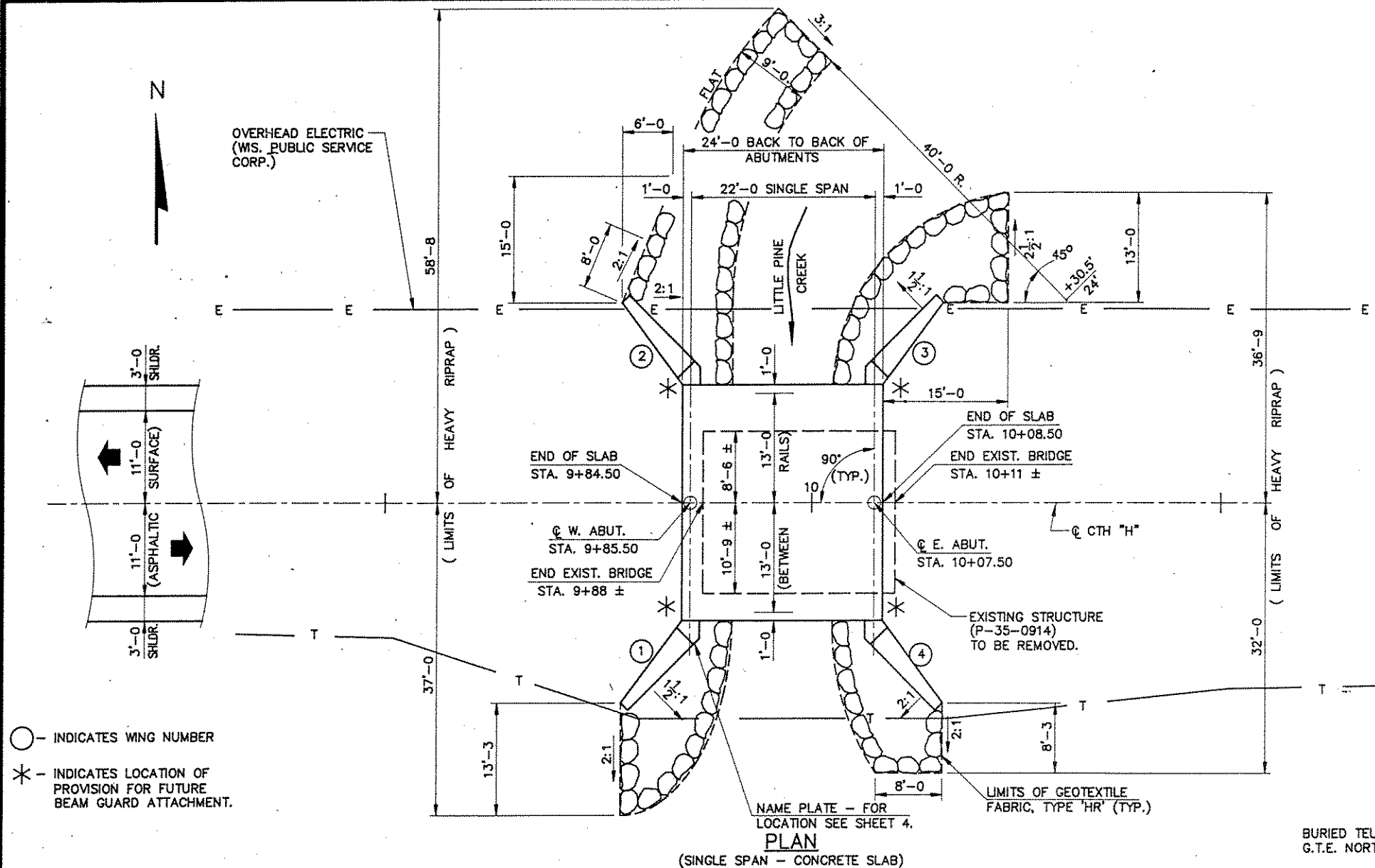
DRAINAGE AREA _____ 13.7 SQ. MI.
 Q_{100} _____ 220 C.F.S.
 VELOCITY _____ 5.1 F.P.S.
 WATERWAY AREA _____ 43 SQ. FT.
 HIGH WATER₁₀₀ ELEVATION _____ 1472.4 \pm
 ROADWAY OVERFLOW DESIGN FREQUENCY _____ N/A

TRAFFIC DATA:

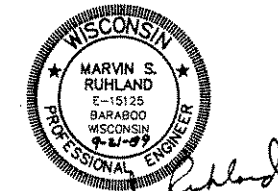
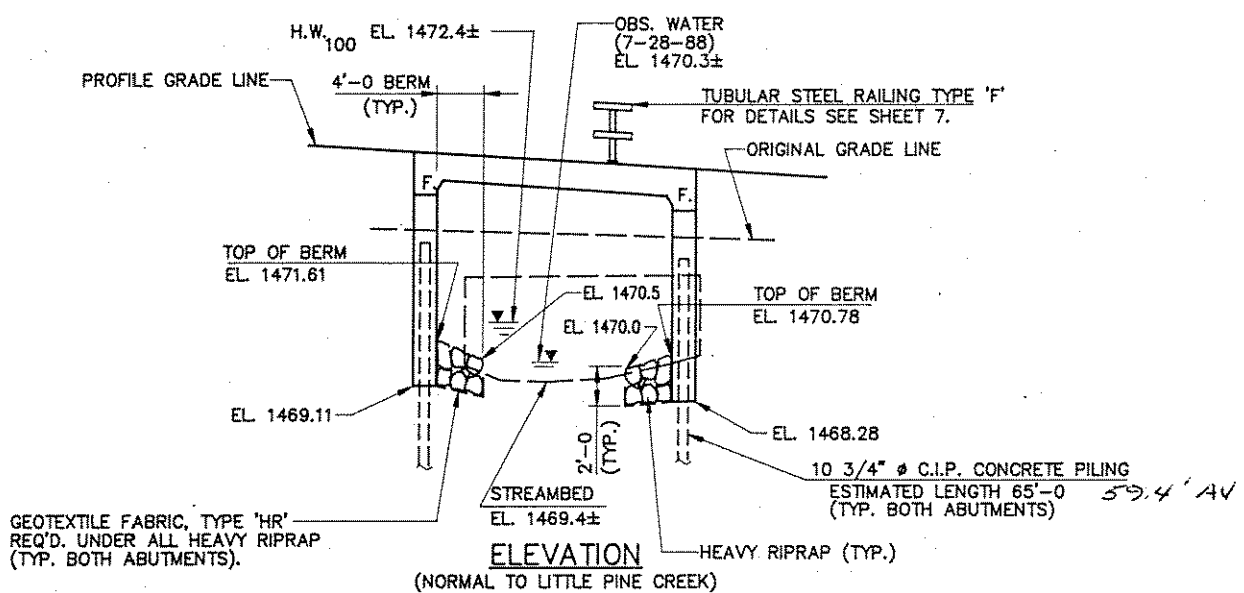
A.D.T. (1989) = 180
 A.D.T. (2009) = 200

LIST OF DRAWINGS - (X82780)

1. GENERAL PLAN
2. CROSS SECTION & QUANTITIES
3. SUBSURFACE EXPLORATION
4. ABUTMENTS
5. ABUTMENT DETAILS
6. SUPERSTRUCTURE
7. TUBULAR STEEL RAILING, TYPE 'F'



○ - INDICATES WING NUMBER
 * - INDICATES LOCATION OF PROVISION FOR FUTURE BEAM GUARD ATTACHMENT.



Marvin S. Ruhland

BRIDGE OFFICE CONTACT (608) 266-8486 DAVE BABLER

No.	Date	Revision	By
PLANS PREPARED BY			
MID-STATE ASSOCIATES, INC. 1230 S. BLVD., BARABOO, WI. 53913			
STATE OF WISCONSIN DEPARTMENT OF TRANSPORTATION DIVISION OF HIGHWAYS			
STRUCTURE		B-35-108	
CTH "H" OVER LITTLE PINE CREEK			
County	LINCOLN	Town/City/Village	SKANAWAN
Design Spec.	AASHTO 1988	Load	HS-20
Design By	DHW	Design Checked	PAC
Drawn By	RLR	Plans Checked	PAC
Approved	<i>Stanley W. Woods</i>		12-20-89
State Bridge Engineer		Date	
GENERAL PLAN			SHEET 1 OF 7
X82780			