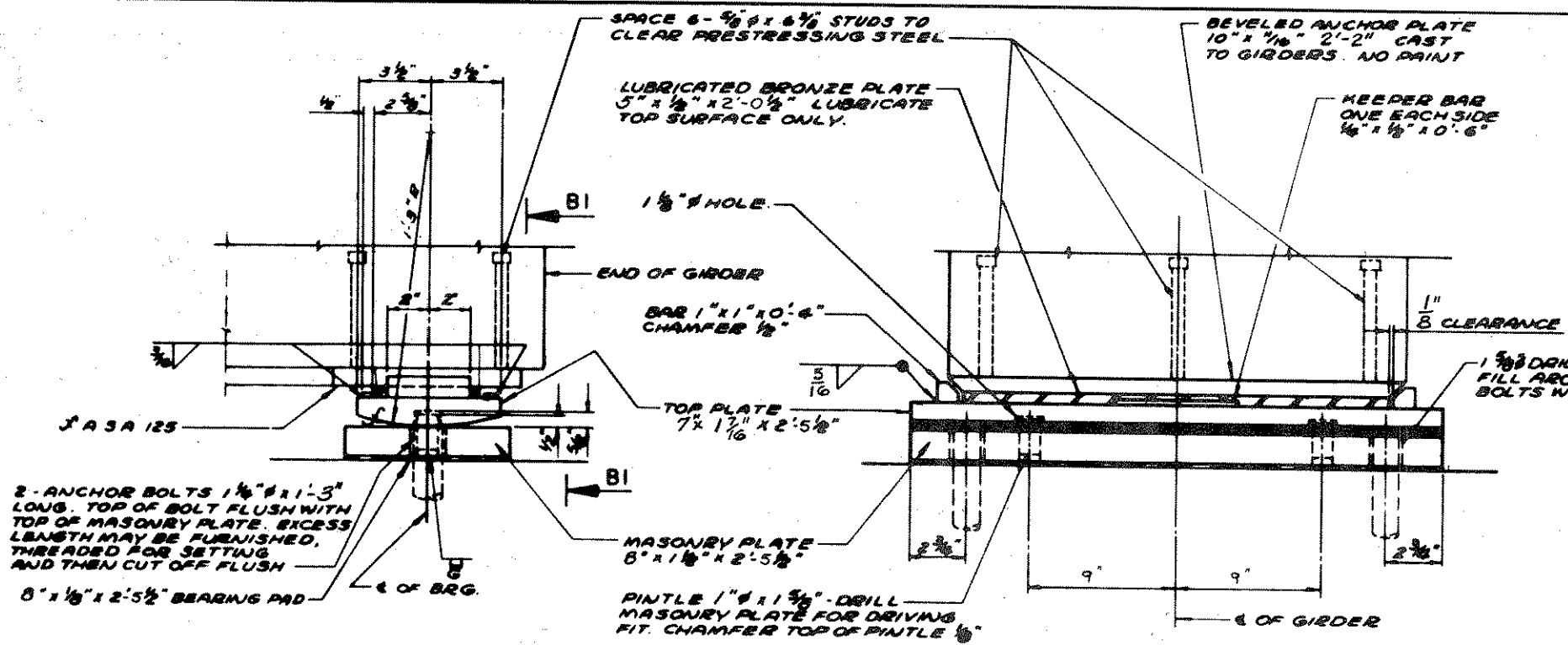
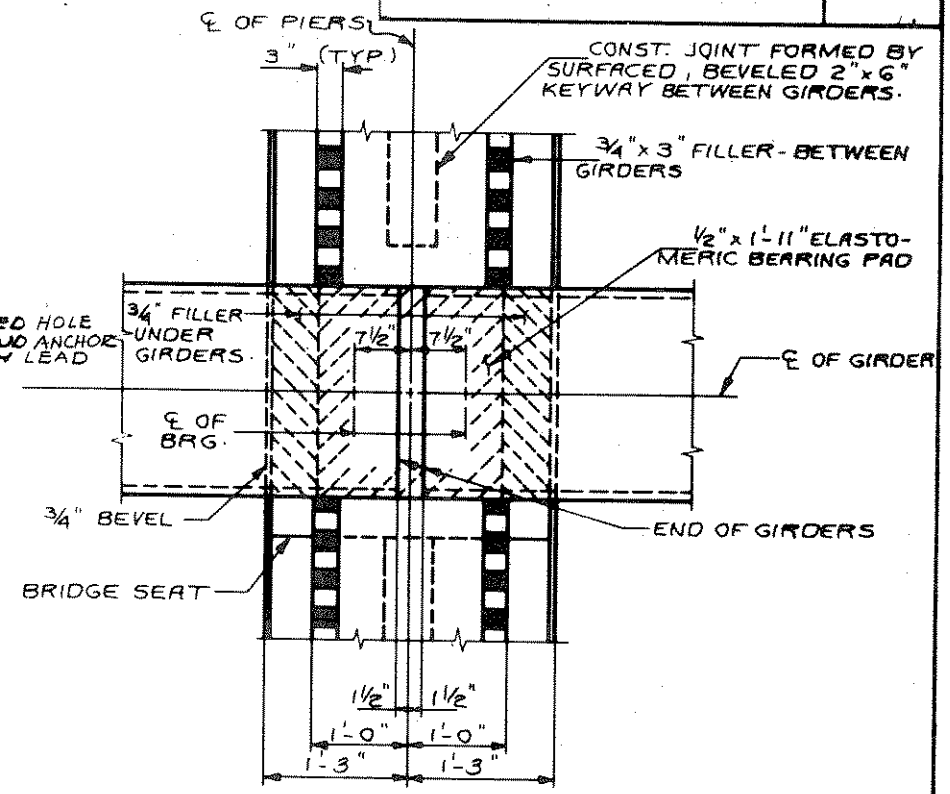


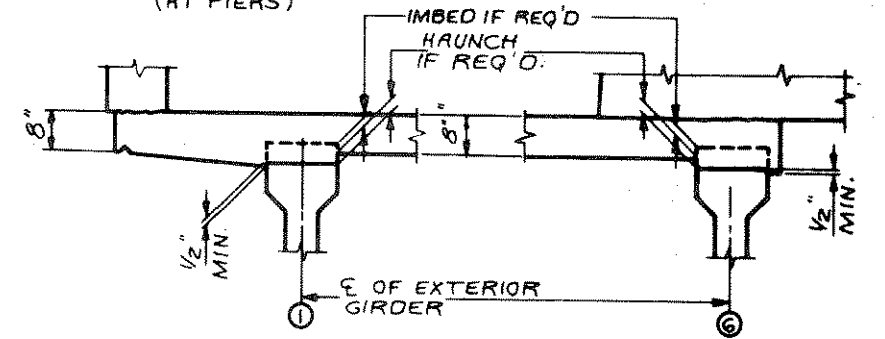
RI-9/14/77



EXPANSION BEARING
4 REQ'D @ EACH ABUTMENT (8 TOTAL)



BEARING PAD DETAILS
(AT PIERS)



SLAB DETAIL AT EXTERIOR GIRDER

TOTAL ESTIMATED QUANTITIES

BID ITEMS	UNIT	SUPER.	N.ABUT.	PIER #1	PIER #2	PIER #3	S.ABUT.	TOTAL
REMOVE OLD BRIDGE	L.S.	—	—	—	—	—	—	1
EXCAVATION FOR STRUCTURES	L.S.	—	—	—	—	—	—	1
CONCRETE MASONRY	C.Y.	352.6	62.1	33.2	38.8	44.8	62.1	574
PRESTRESSED GIRDER, TYPE 54 INCH	L.F.	1424	—	—	—	—	—	1424
HIGH STRENGTH BAR STEEL REINF.	LBS.	98,115	4135	2360	2590	2935	4135	114,830
BEARING PADS, ELASTOMERIC	S.F.	48	—	—	—	—	—	48
STRUCTURAL CARBON STEEL	LBS.	320	—	—	—	—	—	320
STEEL RAILING TYPE 'F'	L.S.	—	—	—	—	—	—	1
HEAVY RIPRAP	C.Y.	—	190	—	—	—	—	190
CONC. MASONRY SEAL	C.Y.	—	—	40.1	42.8	47.1	—	130
EXPANSION DEVICE	L.S.	—	—	—	—	—	—	1
COFFERDAMS	L.S.	—	—	—	—	—	—	1
STRUCTURAL LOW ALLOY STEEL	LBS.	1560	—	—	—	—	—	1560
BEARING PADS	S.F.	14	—	—	—	—	—	14
LUBRICATED BRONZE PLATES	LBS.	152	—	—	—	—	—	152
NON BID ITEMS								
FILLER	SIZE	—	—	—	—	—	—	1/2" & 3/4"
POLYVINYL CHLORIDE WATERSTOP	L.F.	—	32	—	—	—	32	64

BEARING NOTES

ALL BEARING MATERIAL EXCEPT ANCHOR BOLTS & PINTLES SHALL CONFORM TO A.S.T.M. SPECIFICATION TYPE A588 STEEL. ANCHOR BOLTS & PINTLES SHALL CONFORM TO A.S.T.M. SPECIFICATION A36 STEEL AND A449 STEEL RESPECTIVELY.
 ALL BEARING MATERIAL EXCEPT BRONZE PLATES, BEARING PADS, AND ANCHOR PLATES SHALL BE PAID FOR AT THE UNIT PRICE BID FOR STRUCTURAL LOW ALLOY STEEL.
 ALL STRUCTURAL STEEL PLATES SHALL BE FLAT ROLLED STEEL PLATES WITH ALL SURFACES SMOOTH AND FREE FROM WARP AND ALL EDGES SMOOTH, STRAIGHT AND VERTICAL.
 ALL PLATE CUTS SHALL BE MACHINE OR MACHINE FLAME CUTS.
 ALL SURFACES MARKED 'S' SHALL BE MACHINE FINISHED BY AN AUTOMATIC PROCESS.

STATE OF WISCONSIN DEPARTMENT OF TRANSPORTATION DIVISION OF HIGHWAYS		
STRUCTURE B-35-75		
Const. Spec. 1975	Drawn By EJK	Plans Checked GRK
BEARINGS AND TOTAL ESTIMATED QUANTITIES		SHEET 11 OF 13 X58170