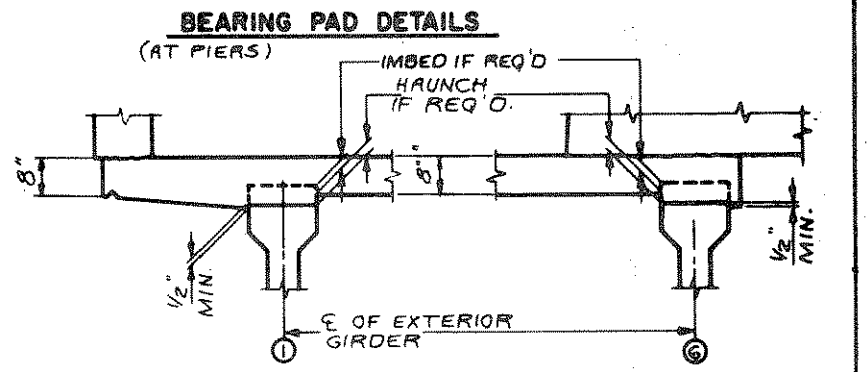
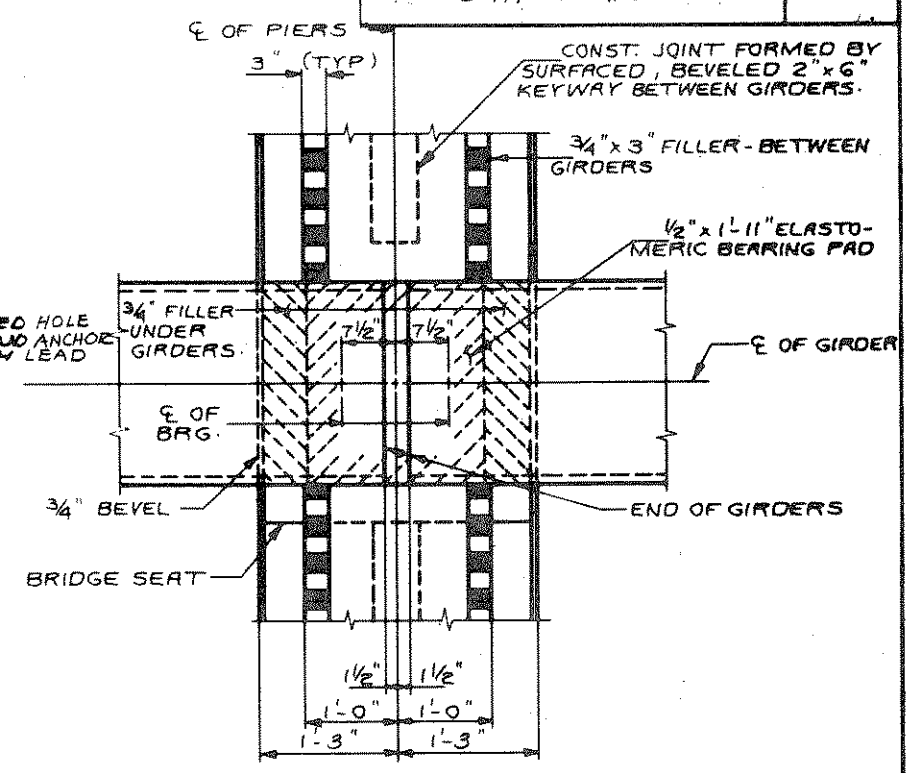


EXPANSION BEARING
4 REQ'D @ EACH ABUTMENT (8 TOTAL)



BEARING NOTES

ALL BEARING MATERIAL EXCEPT ANCHOR BOLTS & PINTLES SHALL CONFORM TO A.S.T.M. SPECIFICATION TYPE A588 STEEL. ANCHOR BOLTS & PINTLES SHALL CONFORM TO A.S.T.M. SPECIFICATION A36 STEEL AND A449 STEEL RESPECTIVELY.

ALL BEARING MATERIAL EXCEPT BRONZE PLATES, BEARING PADS, AND ANCHOR PLATES SHALL BE PAID FOR AT THE UNIT PRICE BID FOR "STRUCTURAL LOW ALLOY STEEL."

ALL STRUCTURAL STEEL PLATES SHALL BE FLAT ROLLED STEEL PLATES WITH ALL SURFACES SMOOTH AND FREE FROM WARP AND ALL EDGES SMOOTH, STRAIGHT AND VERTICAL.

ALL PLATE CUTS SHALL BE MACHINE OR MACHINE FLAME CUTS.

ALL SURFACES MARKED 'J' SHALL BE MACHINE FINISHED BY AN AUTOMATIC PROCESS.

TOTAL ESTIMATED QUANTITIES

BID ITEMS	UNIT	SUPER.	ABUT.	PIER #1	PIER #2	PIER #3	S.ABUT.	TOTAL
REMOVE OLD BRIDGE	L.S.							1
EXCAVATION FOR STRUCTURES	L.S.							1
CONCRETE MASONRY	C.Y.	332.6	62.1	33.2	38.8	44.8	62.1	574
PRESTRESSED GIRDER, 11 INCH	L.F.	1424						1424
HIGH STRENGTH BAR STEEL REINF.	LBS.	98,175	4135	2360	2590	2955	4135	114,890
BEARING PADS, ELASTOMERIC	S.F.	48						48
STRUCTURAL CARBON STEEL	LBS.	320						320
STEEL BRACING TYPE 'E'	L.S.							1
HEAVY RIBBAP	C.Y.		190				290	480
CONC. MASONRY SEAL	C.Y.			40.1	42.8	47.1		130
EXPANSION DEVICE	L.S.							1
COFFERDAMS	L.S.							1
NON-BID ITEMS								
FILLER	SIZE							1/2" x 3/4"
POLYVINYL CHLORIDE WATERSTOP	L.F.		32				32	64

STATE OF WISCONSIN
DEPARTMENT OF TRANSPORTATION
DIVISION OF HIGHWAYS

STRUCTURE B-35-75

Const. Date: 1976 Drawn By: BAK Plan Checked: GRK

BEARINGS AND TOTAL ESTIMATED QUANTITIES SHEET 11 OF 13
X5070