

ABBREVIATIONS
 F — Fine M — Medium C — Coarse
 Ws — Weathered So — Sound

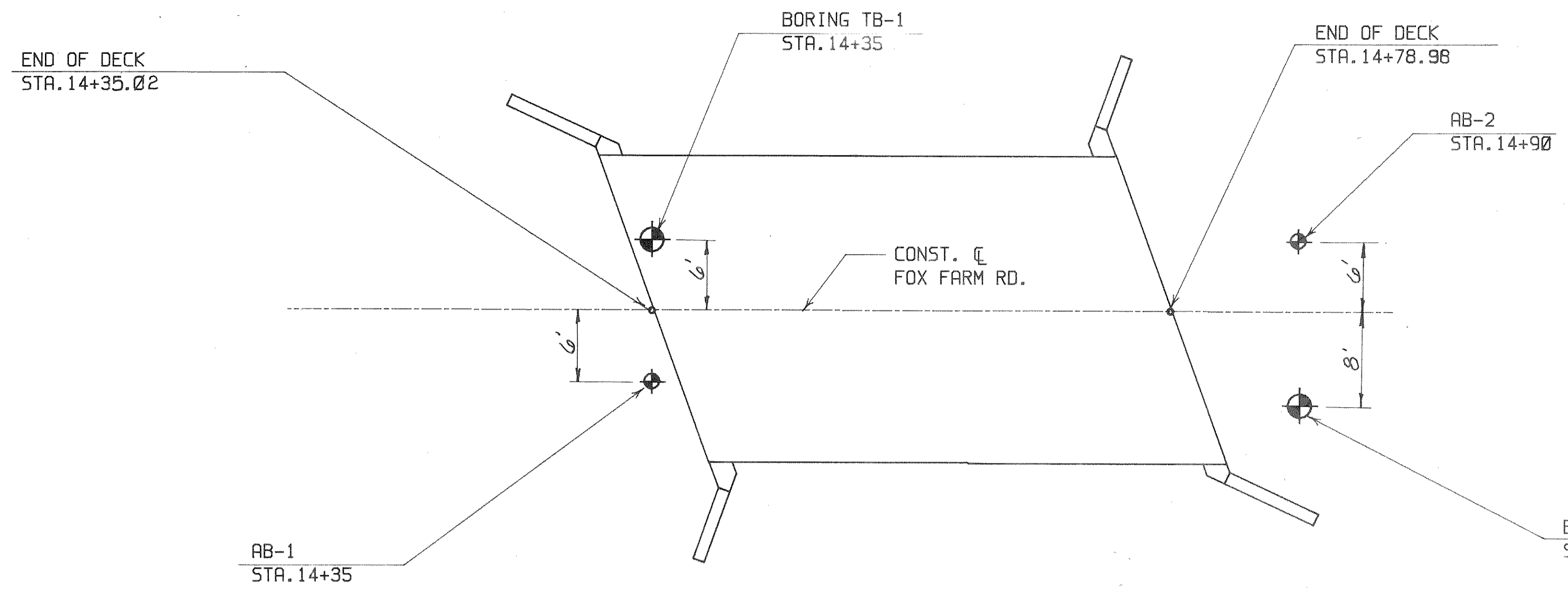
MATERIAL SYMBOLS		

LEGEND OF PROBING
 Probing No. Sta. Elevation
 95/6=95 Blows for 6" Penetration
 Probing taken with a 350# wt. Falling 18" on a 2" O. D. Point.
 Refusal 95, 6
 7 Average Blows Per Foot

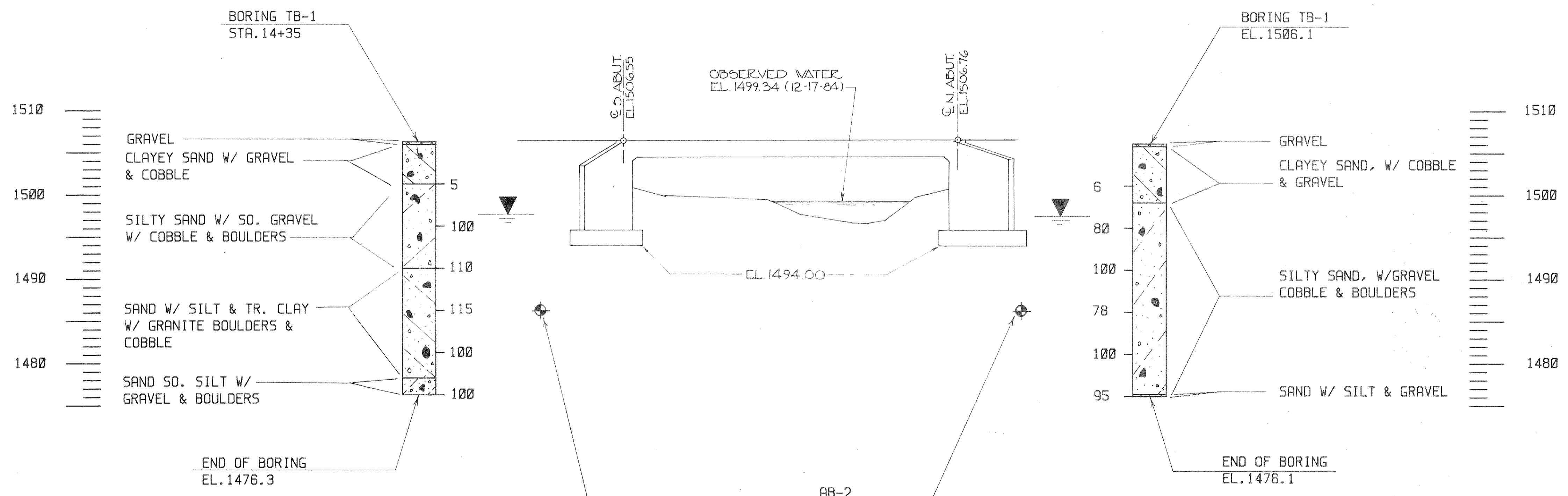
LEGEND OF BORING
 Boring No. Sta. Elev.
 Unconfined Strength 7.7
 Blows Per Ft. Using 140# Wt. Falling 30"
 Wash Sample
 Shelby Tube — S. T.
 Ground Water Elevation
 No Ground Water Observed Above This Elevation
 Sandy Gravel
 Boulders or Cobbles
 Sand
 Silty Clay
 Limestone

SUBSURFACE EXPLORATION FOR FOUNDATION DESIGN AND BIDDERS INFORMATION
 To obtain relative data concerning the character of material in and upon which the foundation might be built, borings and/or soundings were made at points approximately as indicated on this drawing. The data presented herein represents the findings of the subsurface explorations made. However, because the depths investigated are limited and the area of the borings and/or soundings is very small in relation to the entire area, the Division of Highways does not warrant conditions below the depths investigated or that the classification of material encountered in these investigations is necessarily typical of the entire site.

No.	Date	Revision	By
STATE OF WISCONSIN DEPARTMENT OF TRANSPORTATION DIVISION OF HIGHWAYS			
STRUCTURE B-35-90			
Const. Spec.	WIS. '81	Drawn By	T.L.
		Plans Checked	L.M.B.
SUBSURFACE EXPLORATION			SHEET 2 OF 6 X 77131



PLAN



AB-1
 DRILLED EASY FROM TWO FEET TO THREE FEET. HARD FROM THREE FEET TO E.O.B. AT TWENTY FEET.

AB-2
 NO EASY DRILLING AFTER FIRST FIVE FEET, HARD FROM FIVE TO TWENTY FEET.