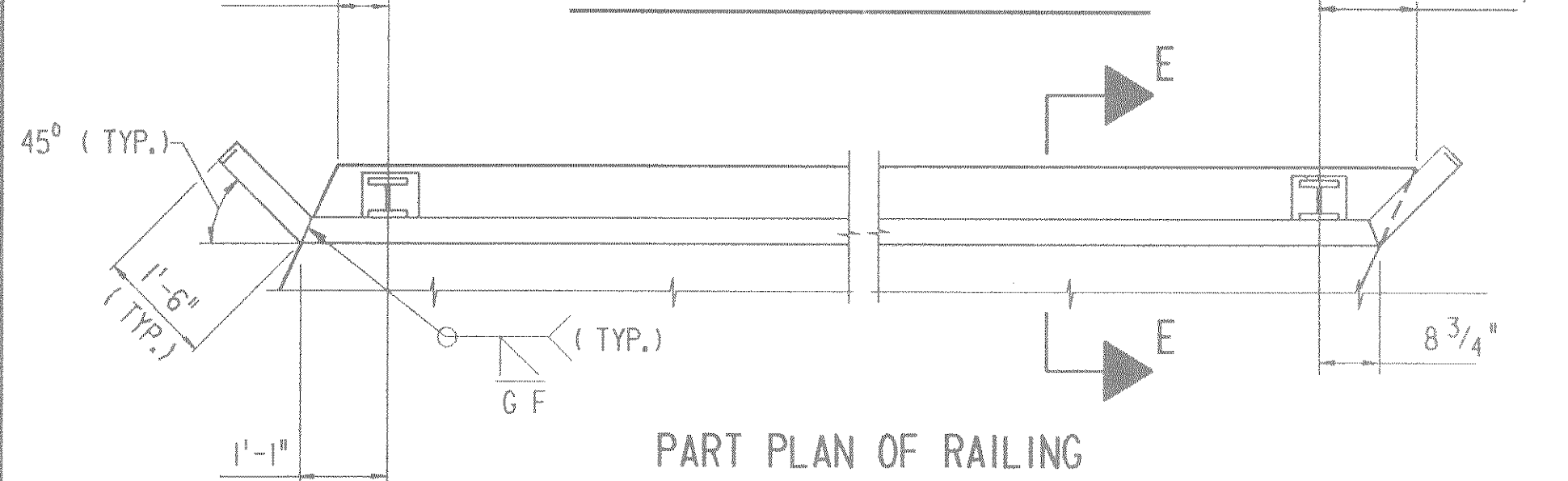
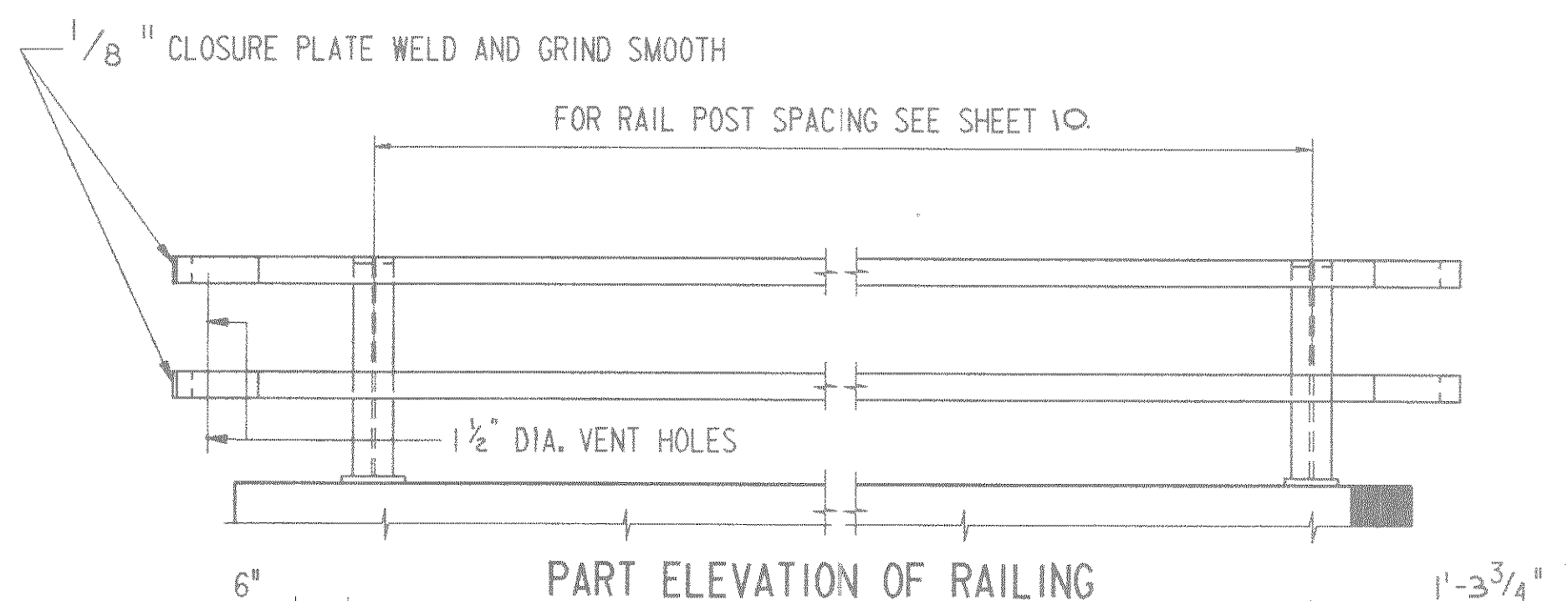


GENERAL NOTES

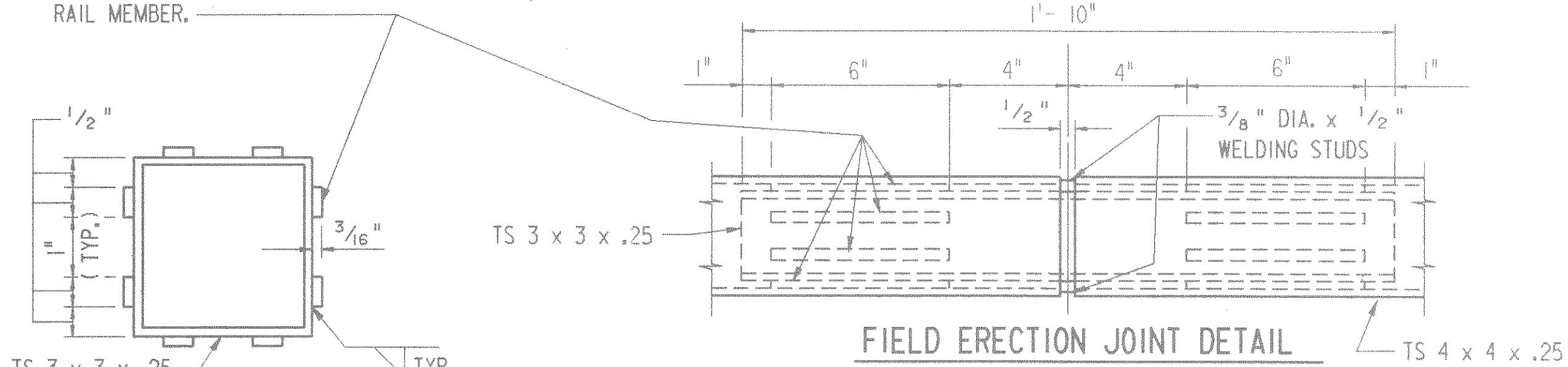
- BID ITEM SHALL BE " TUBULAR RAILING , TYPE F ".
- POST BASE PLATES SHALL BE FLAT WITH ALL SURFACES SMOOTH AND FREE FROM WARP AND ALL EDGES SMOOTH, STRAIGHT AND VERTICAL. ALL PLATE CUTS SHALL BE MACHINE OR MACHINE FLAME CUTS.
- RAILING SHALL BE 4 x 4 x .25 STRUCTURAL TUBING CONFORMING TO A.S.T.M. DESIGNATION A36.
- ANCHOR BOLTS SHALL BE 7/8" DIA. NOMINAL CONFORMING TO A.S.T.M. A449 OR MATERIAL OF EQUIVALENT YIELD STRENGTH AND ELONGATION (MIN. YIELD OF 92 K.S.I. AND ELONGATION OF 14%) WITH 3" THREAD AND HIGH STRENGTH NUTS AND WASHERS(A325).
- CAULK EXPOSED OPENINGS BETWEEN SHIMS.
- POSTS ,BASE PLATES AND SHIMS SHALL BE MADE FROM MATERIAL CONFORMING TO A.S.T.M. DESIGNATION A36. CUT BOTTOM OF POST TO MATCH CROSS SLOPE OF ROADWAY. PLACE NORMAL TO GRADE LINE.
- PLACE ANCHOR BOLTS NORMAL TO BASE PLATE.
- ALL MEMBERS, INCLUDING UPPER 4" OF ANCHOR BOLTS , SHALL BE GALVANIZED AFTER FABRICATION.
- RAILS MAY BE WELDED TO POSTS.
- FILL POST ANCHOR BOLT HOLES WITH NON - STAINING GRAY NON - BITUMINOUS JOINT SEALER.
- RAILING SHALL BE FABRICATED IN 2 OR 3 PANEL LENGTHS.
- STEEL SHIMS SHALL BE USED UNDER POSTS WHERE REQUIRED FOR ALIGNMENT.
- FIELD ERECTION JOINTS SHALL BE ALTERNATIVE 1 OR ALTERNATIVE 2.
- PRIOR TO GALVANIZING, ALL STEEL RAILING SHALL BE GIVEN A NO. 6 COMMERCIAL BLAST CLEANING BY S.S.P.C. SPECIFICATIONS.



BAR 1/2" x 3/16" x 0'-6". GRIND AS REQUIRED FOR SLIDING FIT. SPACING OF BARS MAY BE ADJUSTED TO CLEAR SEAM ON INSIDE OF RAIL MEMBER.

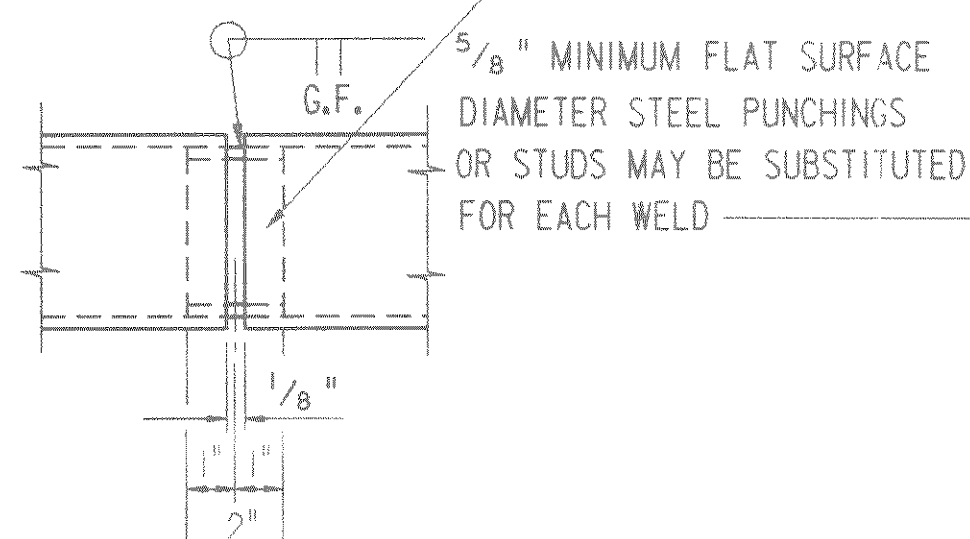
1/6 PANEL LENGTH ± 4" TO NEAREST POST

SYM. ABOUT C_L



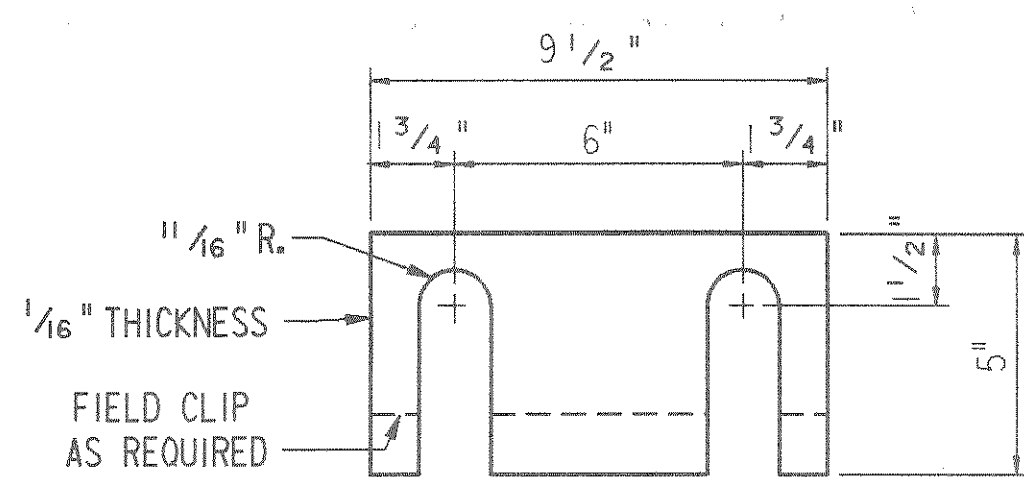
SECTION THRU SLEEVE

SLEEVE FABRICATED FROM 1/4" PLATE. PROVIDE " SLIDING FIT" WITH A MINIMUM OUT TO OUT DIMENSION OF 3 13/32".

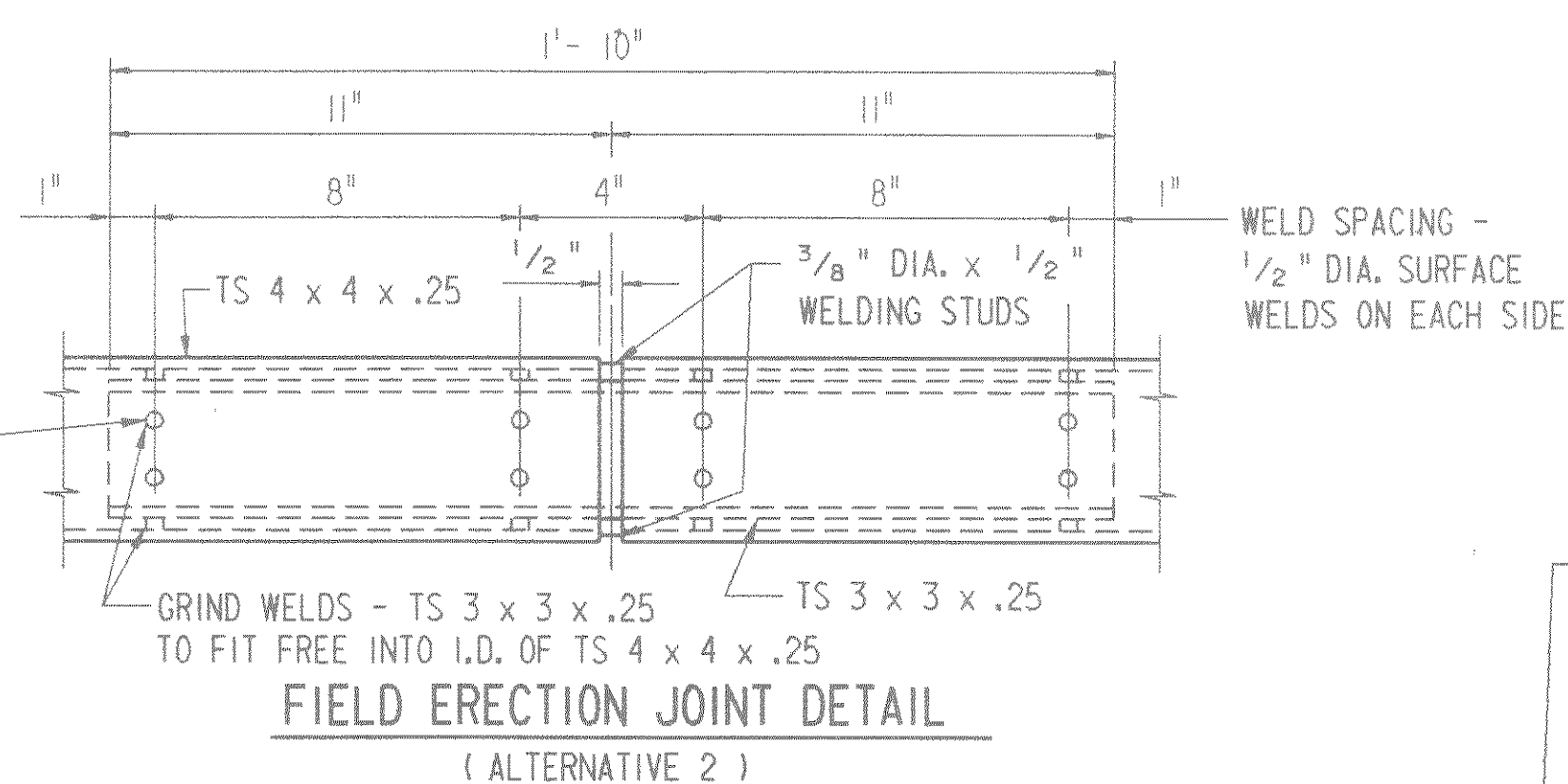


SHOP RAIL SPLICE DETAIL

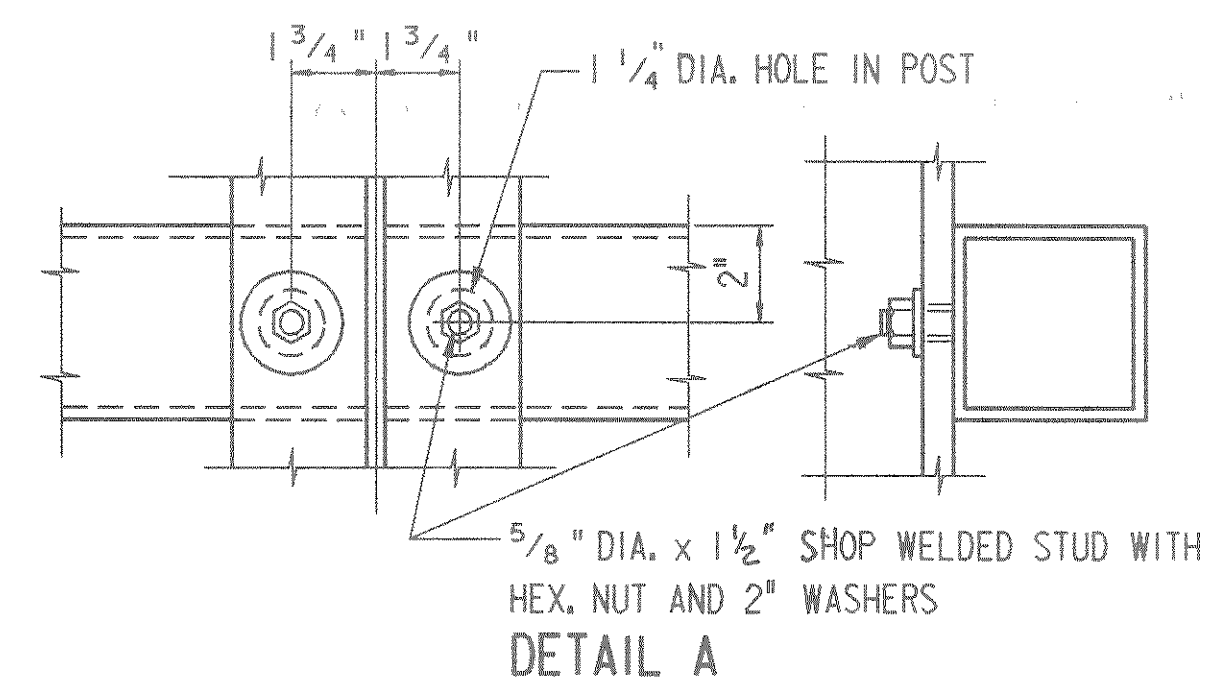
LOCATION MUST BE SHOWN ON SHOP DRAWINGS



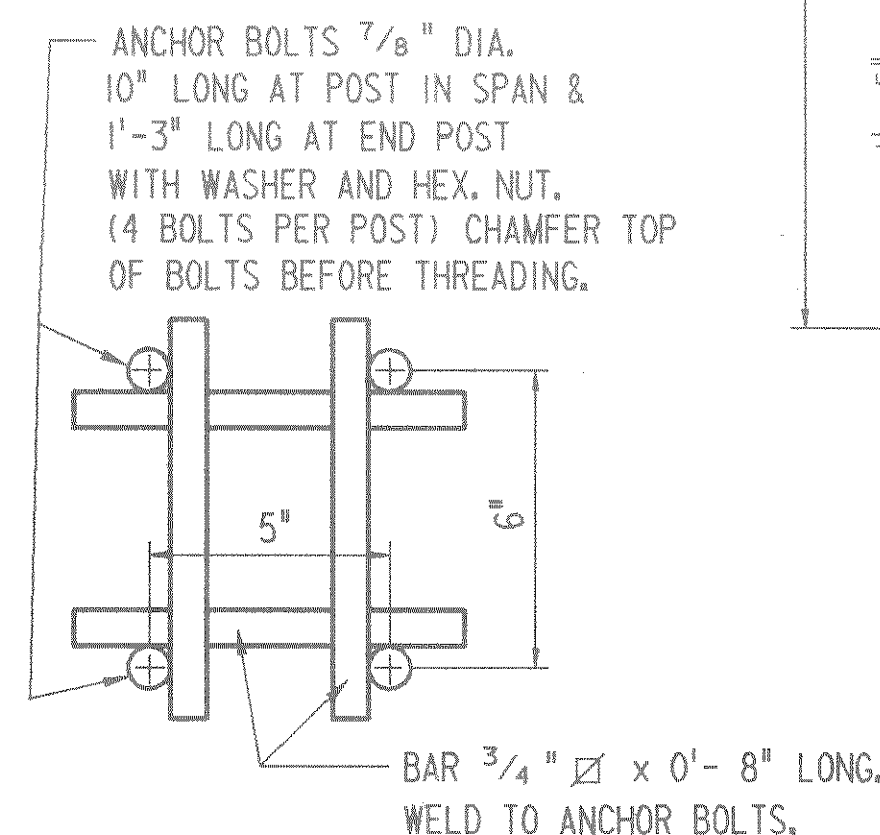
POST SHIM DETAIL (4 PER POST)



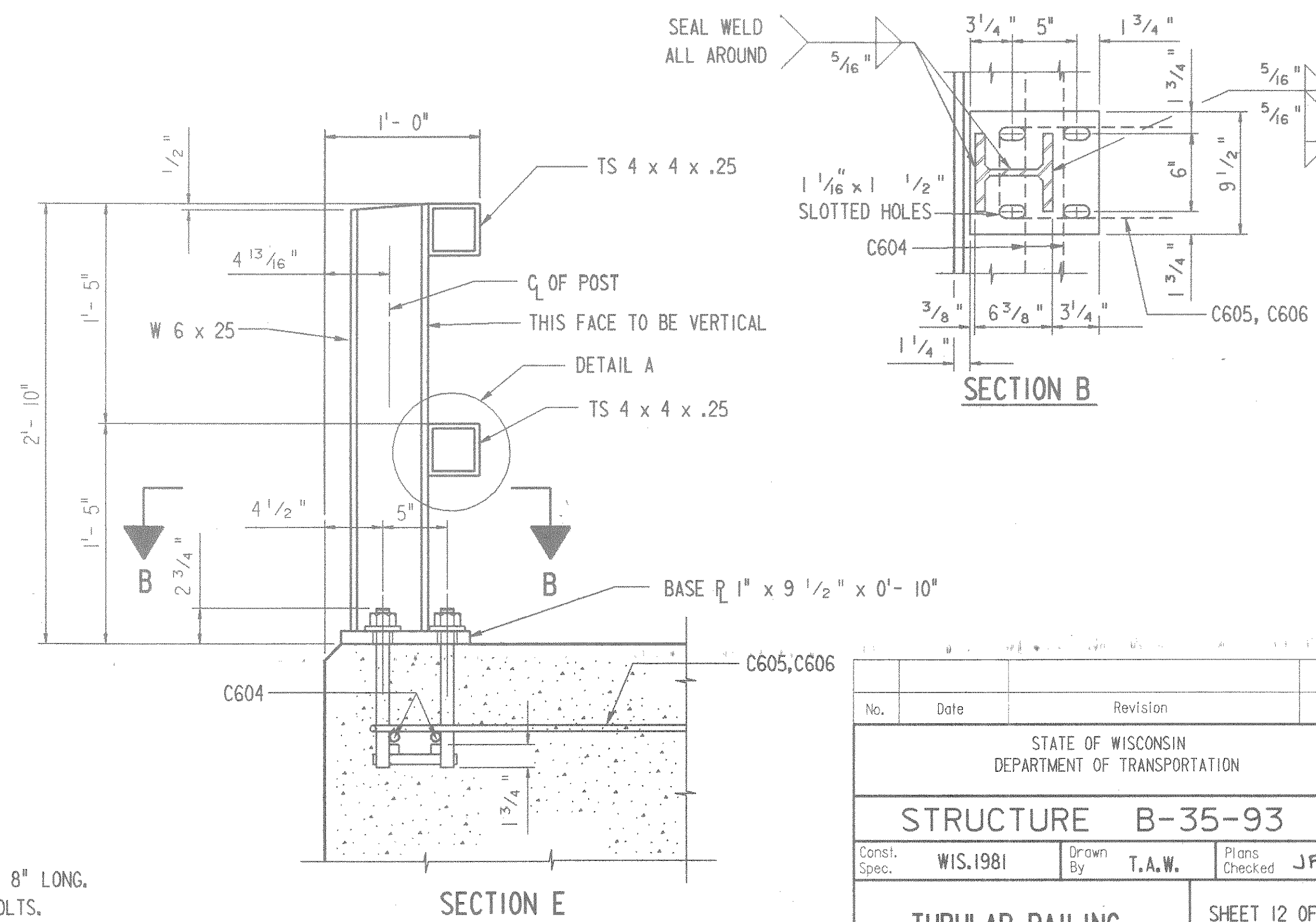
FIELD ERECTION JOINT DETAIL (ALTERNATIVE 2)



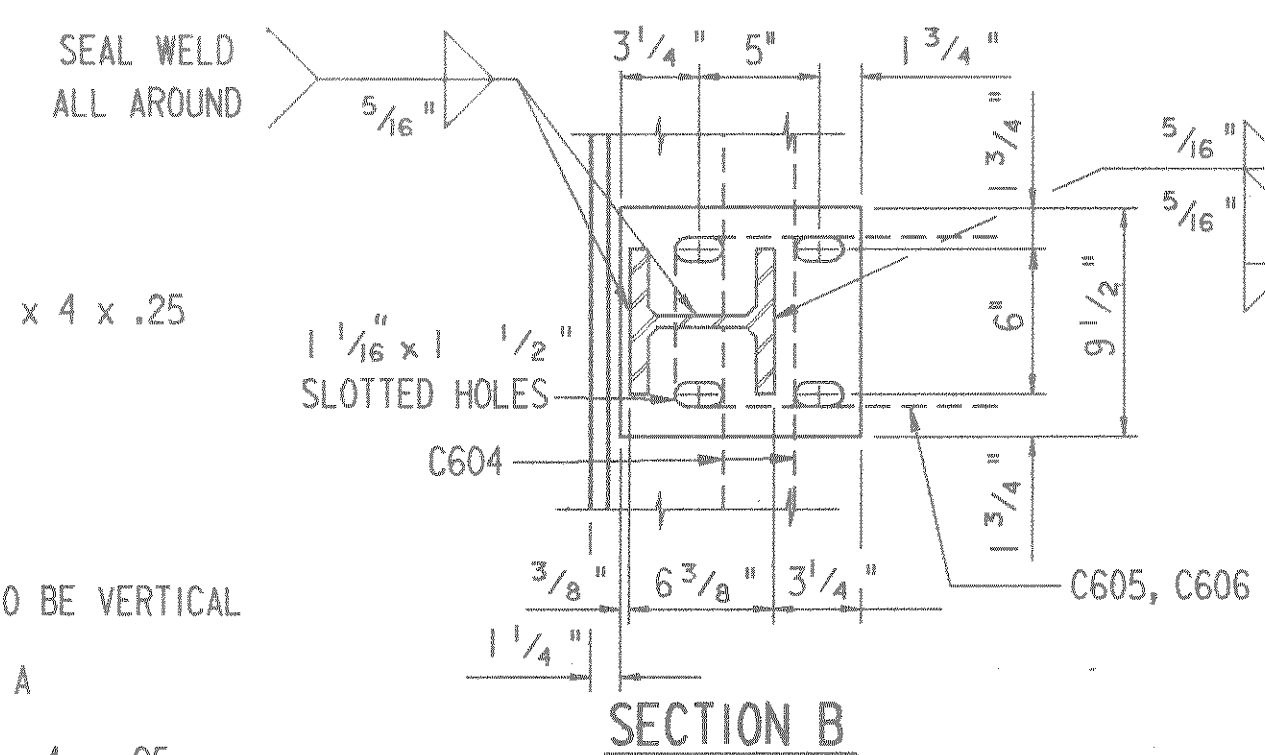
DETAIL A



ANCHOR BOLT DETAIL



SECTION E



SECTION B

No.	Date	Revision	By
STATE OF WISCONSIN DEPARTMENT OF TRANSPORTATION			
STRUCTURE B-35-93			
Const. Spec.	WIS.1981	Drawn By	T.A.W.
		Plans Checked	JRL
TUBULAR RAILING, TYPE F			SHEET 12 OF 12 X78451

DATE: 12-9-85

[142001]

PRF: FRALO1
FILE: FRAILING.FIN
WLU:
WLU: