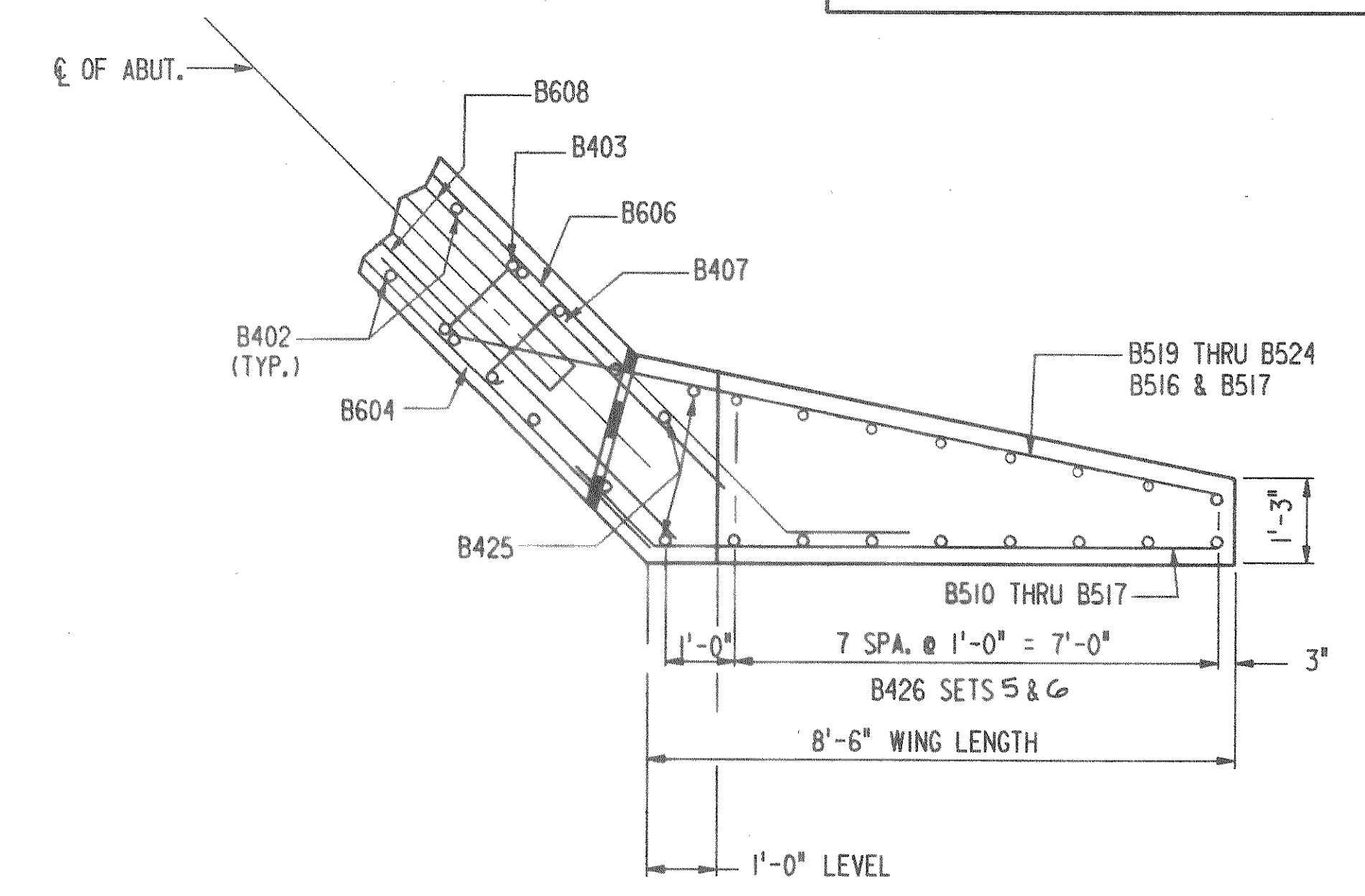
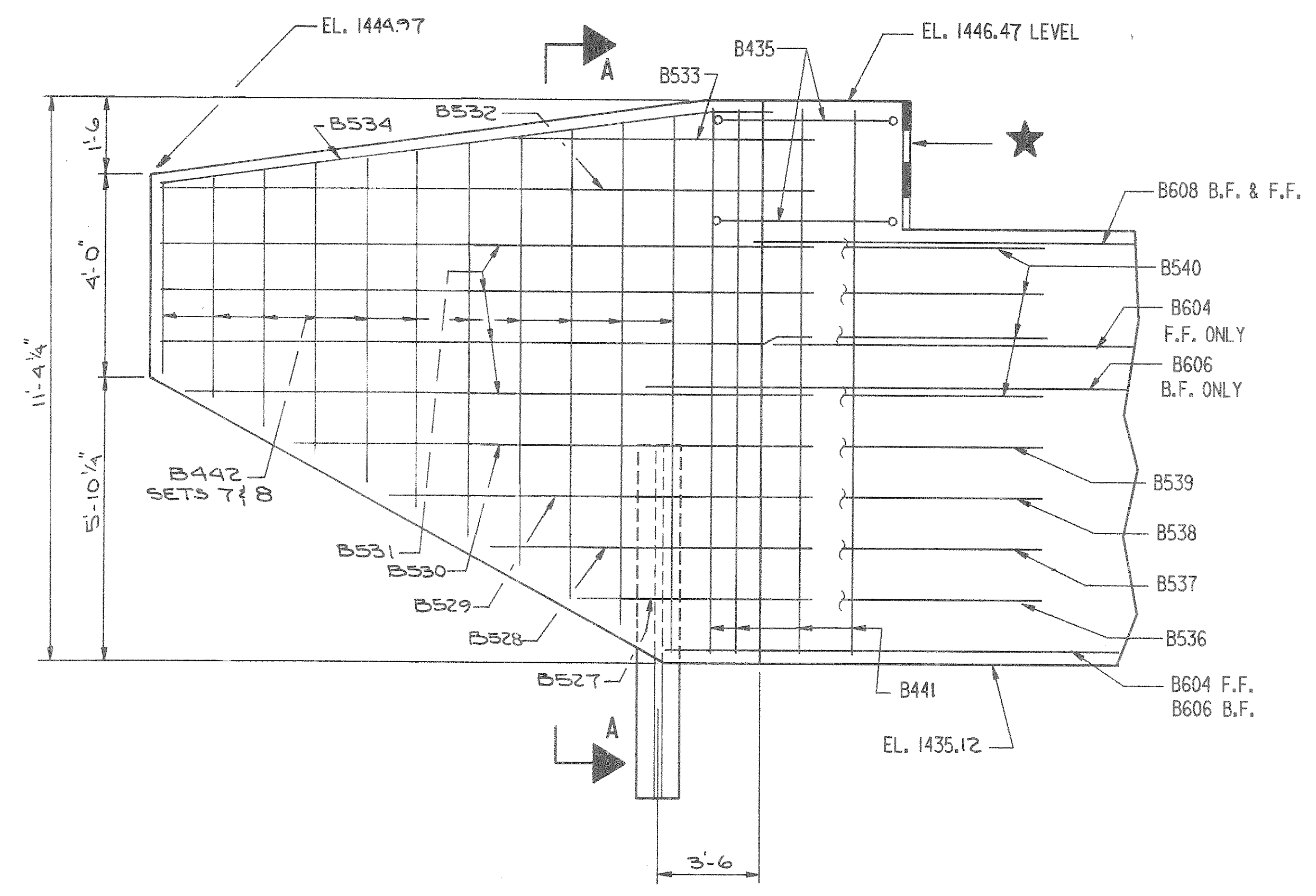


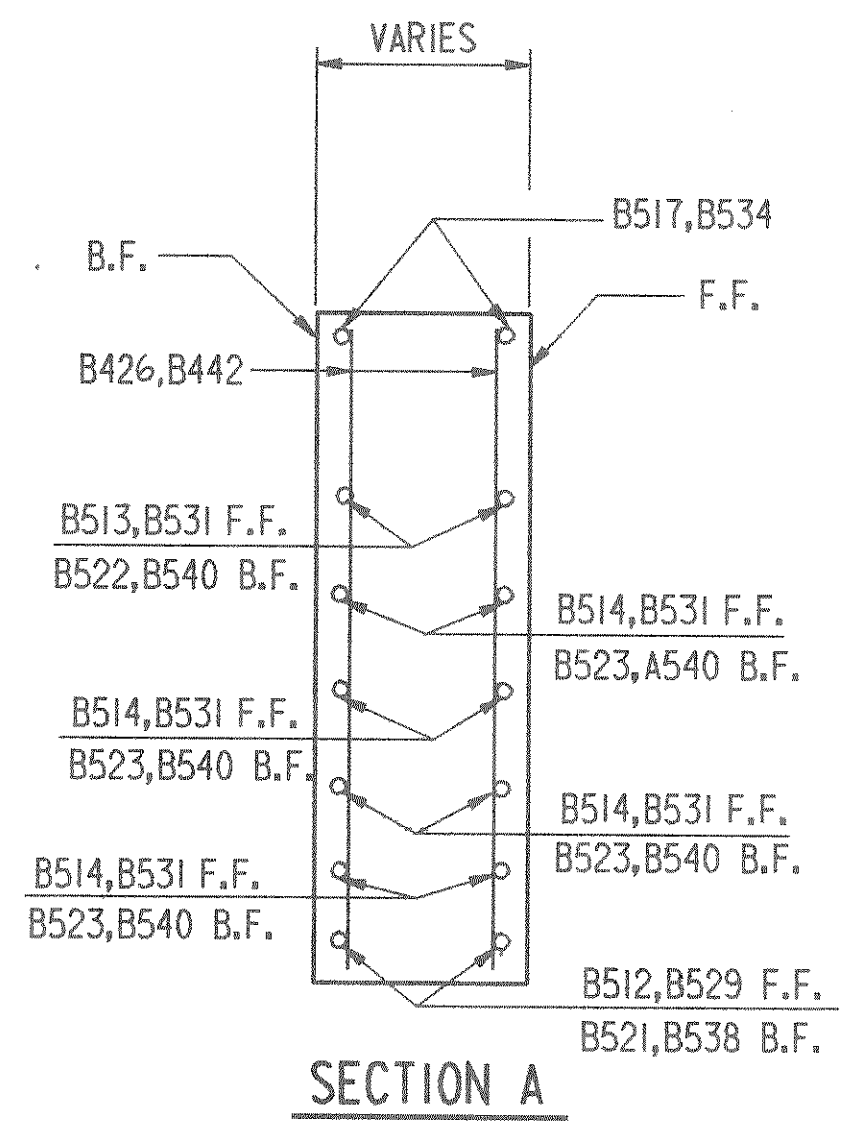
PLAN WING 3



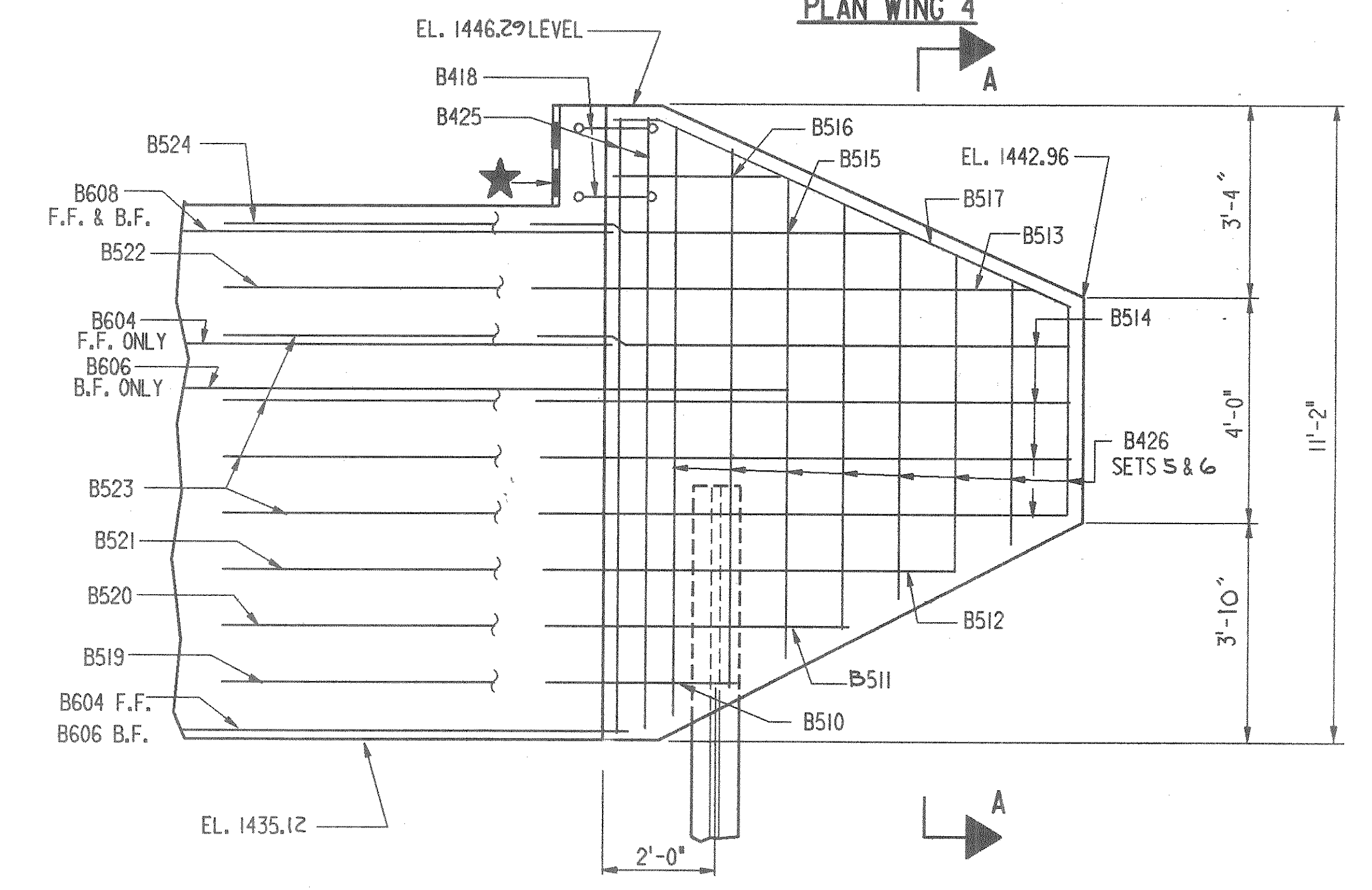
PLAN WING 4



ELEVATION WING 3



SECTION A



ELEVATION WING 4

DATE: 12-27-85
 PRF= WINGS34 [142001]
 FILE= WINGS34.FIN
 W.U.= 1:2:16000
 W.U.=

No.	Date	Revision	By
STATE OF WISCONSIN DEPARTMENT OF TRANSPORTATION			
STRUCTURE B-35-93			
Const. Spec.	WIS. 1981	Drawn By	T.A.W.
		Plans Checked	JRL
WINGS 3 & 4			SHEET 7 OF 12
X78446			