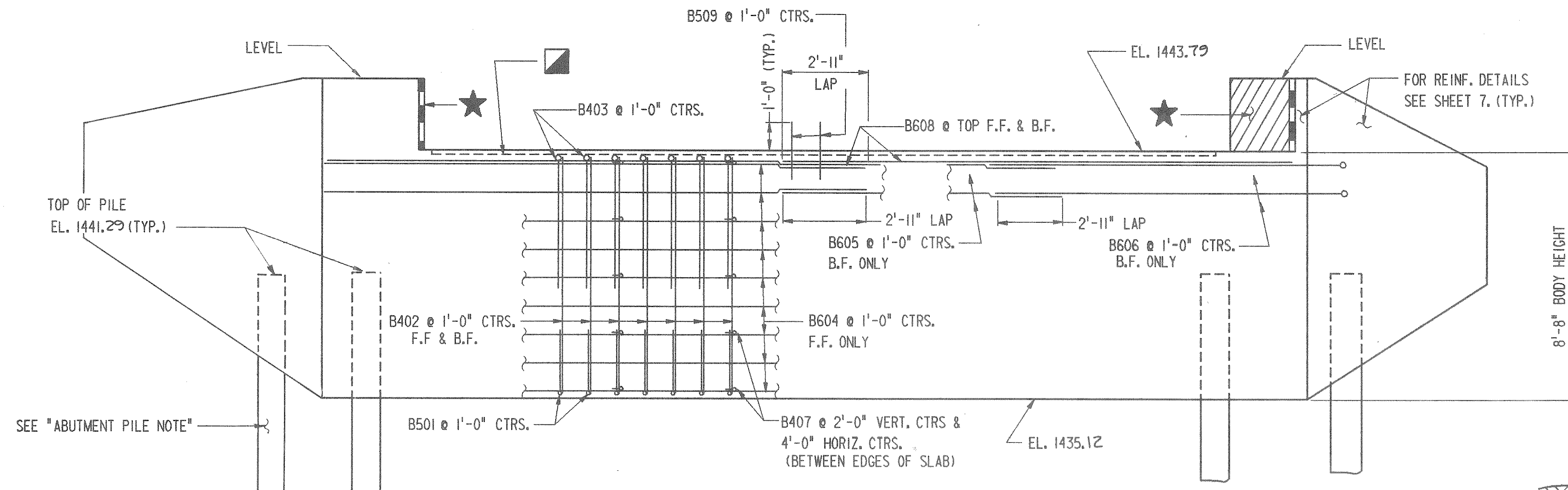


NOTE: B509 BARS MAY BE PLACED AFTER CONCRETE IS POURED, BUT BEFORE THE INITIAL SET HAS TAKEN PLACE.

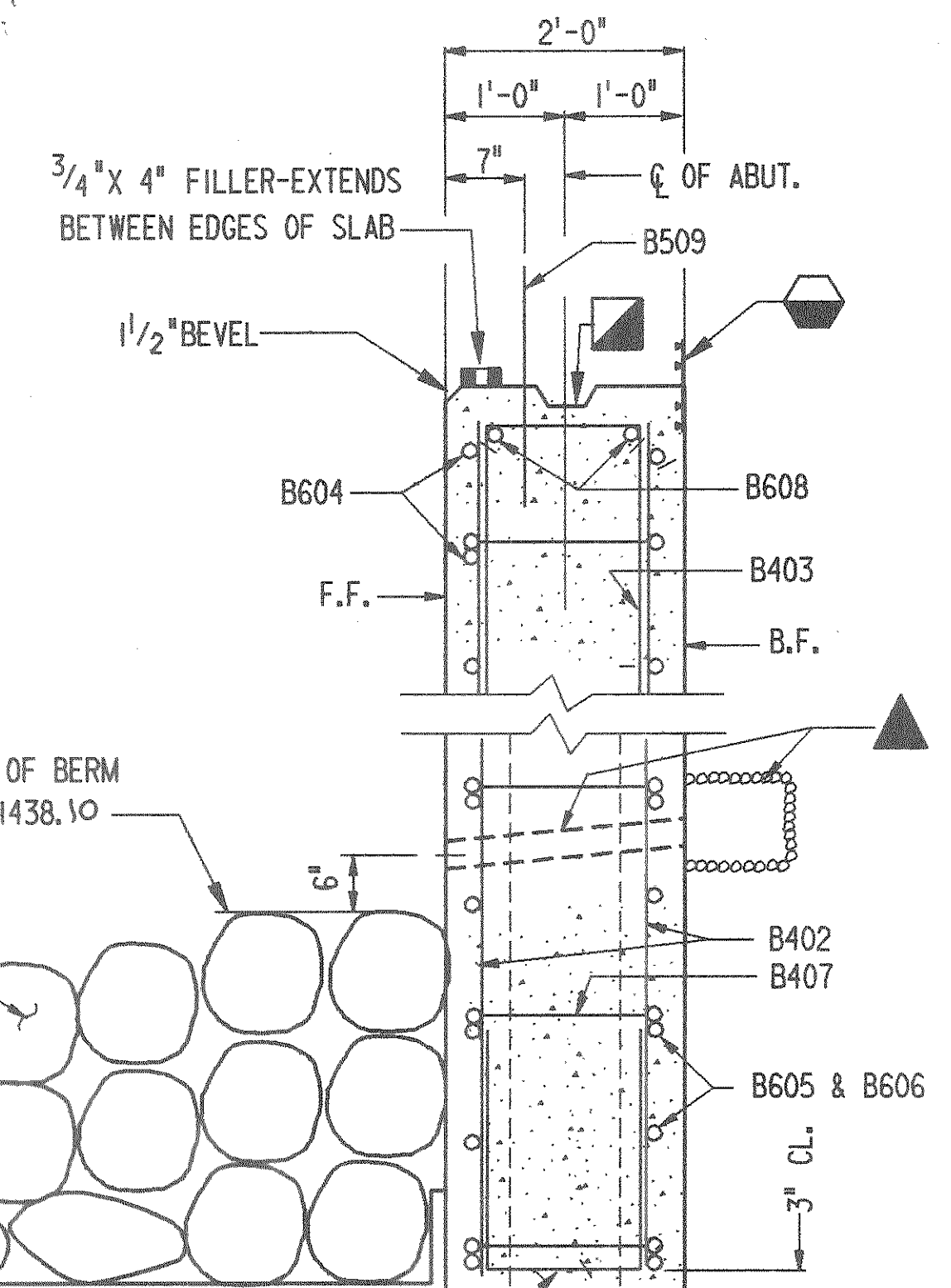


ELEVATION
(LOOKING NORTH)

ABUTMENT PILE NOTE

PILING SHALL BE 10³/₄" C.I.P. CONC. PILING DRIVEN TO A MIN. BRG. VALUE OF 45 TON PER PILE. ESTIMATED LENGTH OF PILING IS 35'-0" LONG.

WOVEN FILTER CLOTH - PLACE UNDER HEAVY RIPRAP AS SHOWN, TO BE PAID FOR AS "GEOTEXTILE FABRIC"

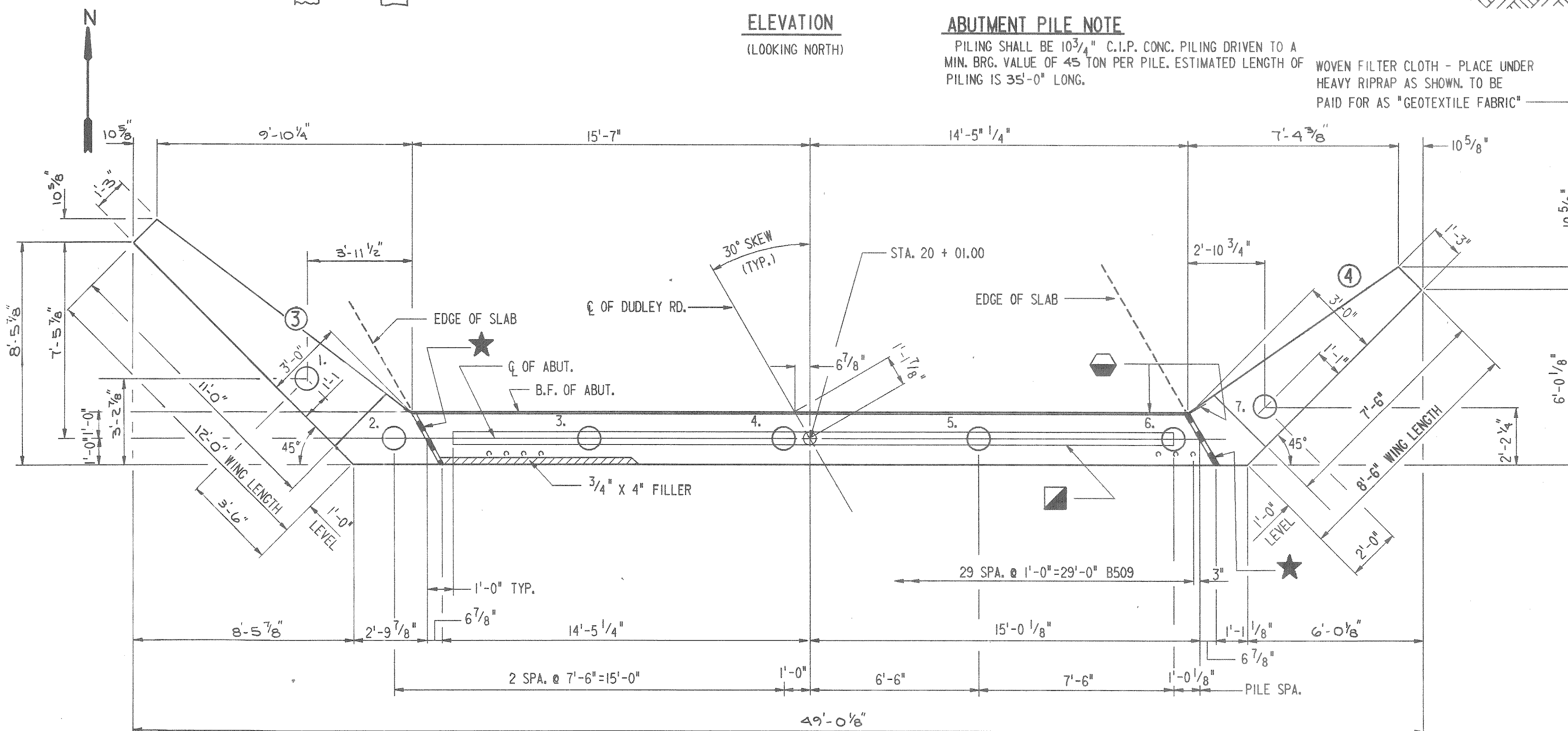


TYPICAL SECTION THRU BODY

NOTE: FOR SYMBOL ★, ■ & ◻ DESCRIPTIONS SEE SHEET 8.

▲ - 2" DIA. WEEP HOLES AT 20'-0" CTRS. - USE FILTER CLOTH WITH SELECT GRANULAR MATERIAL AT EACH HOLE (ON B.F. 12" X 12" X 12" MIN.) COST INCIDENTAL TO "CONCRETE MASONRY, BRIDGES".

NOTE: DO NOT PLACE FILL ABOVE EL. 1437.1± UNTIL SUPERSTRUCTURE CONCRETE IS IN PLACE.



PLAN

DATE= 12-27-85

PRF= NOABUTO1 I 142001
FILE= NORABUT.FIN
W.U.= 1:12:12000 PLAN
W.U.=

No.	Date	Revision	By
STATE OF WISCONSIN DEPARTMENT OF TRANSPORTATION			
STRUCTURE B-35-93			
Const. Spec.	WIS. 1981	Drawn By	T.A.W.
		Plans Checked	JRL
NORTH ABUTMENT			SHEET 6 OF 12
			X78445