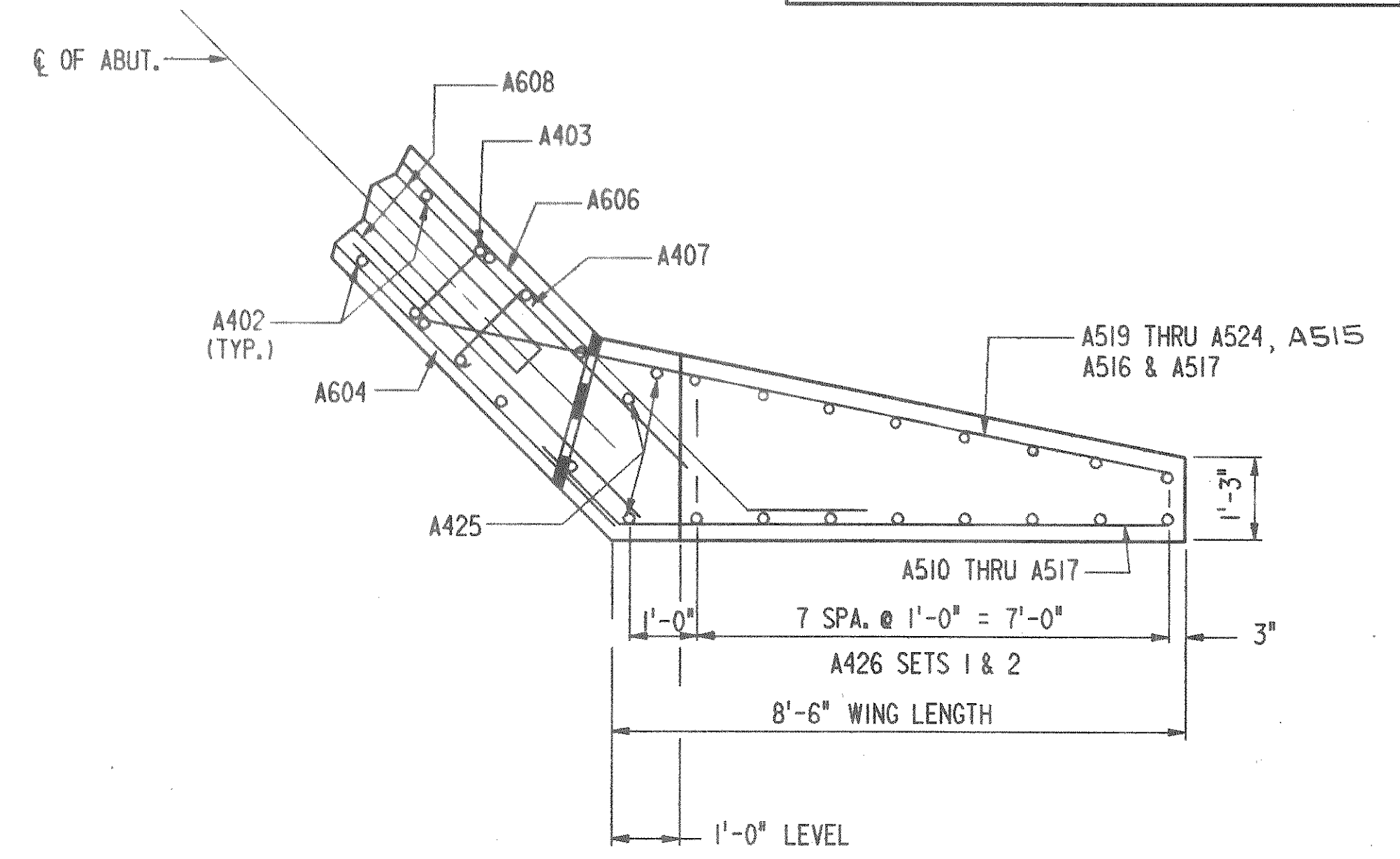
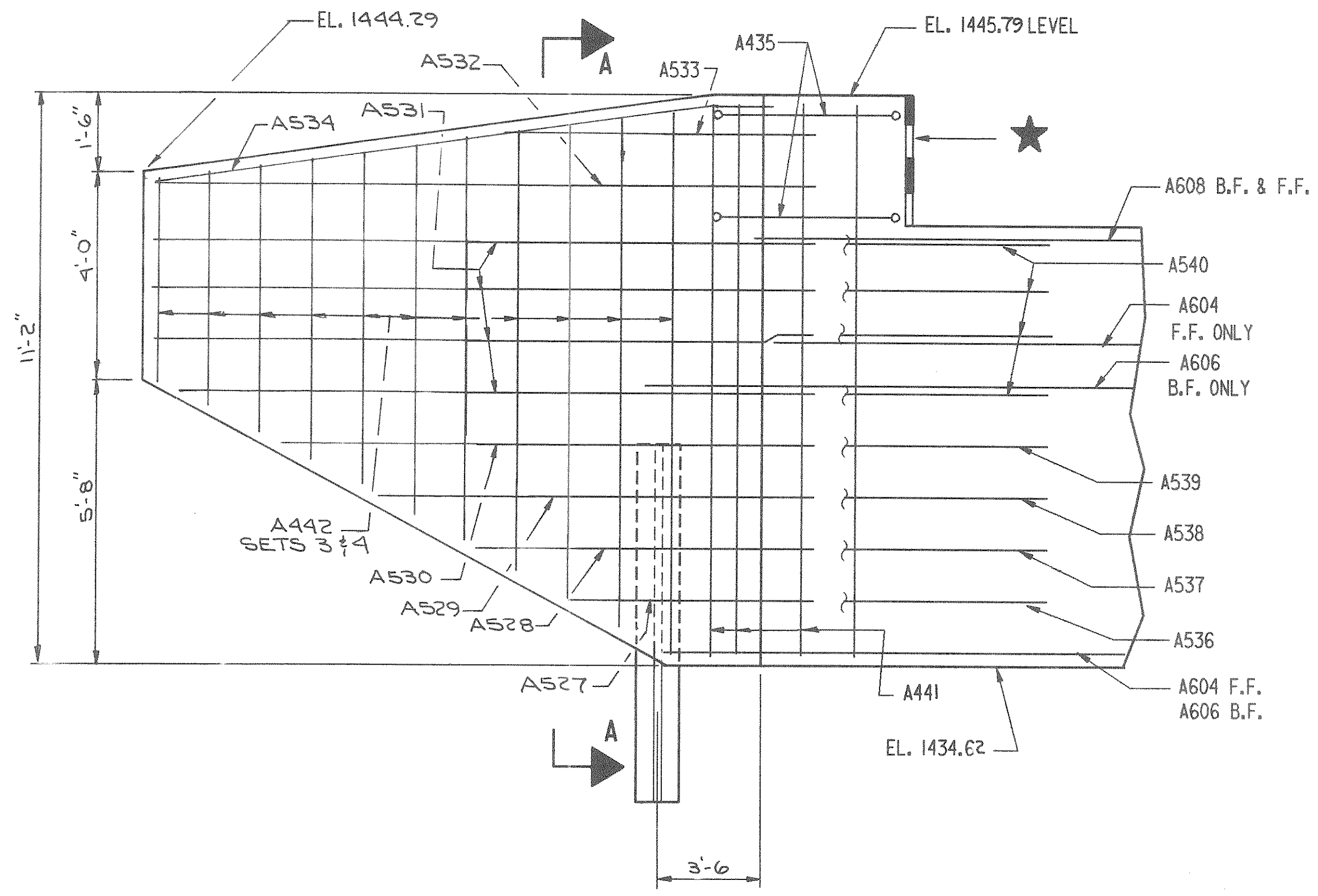


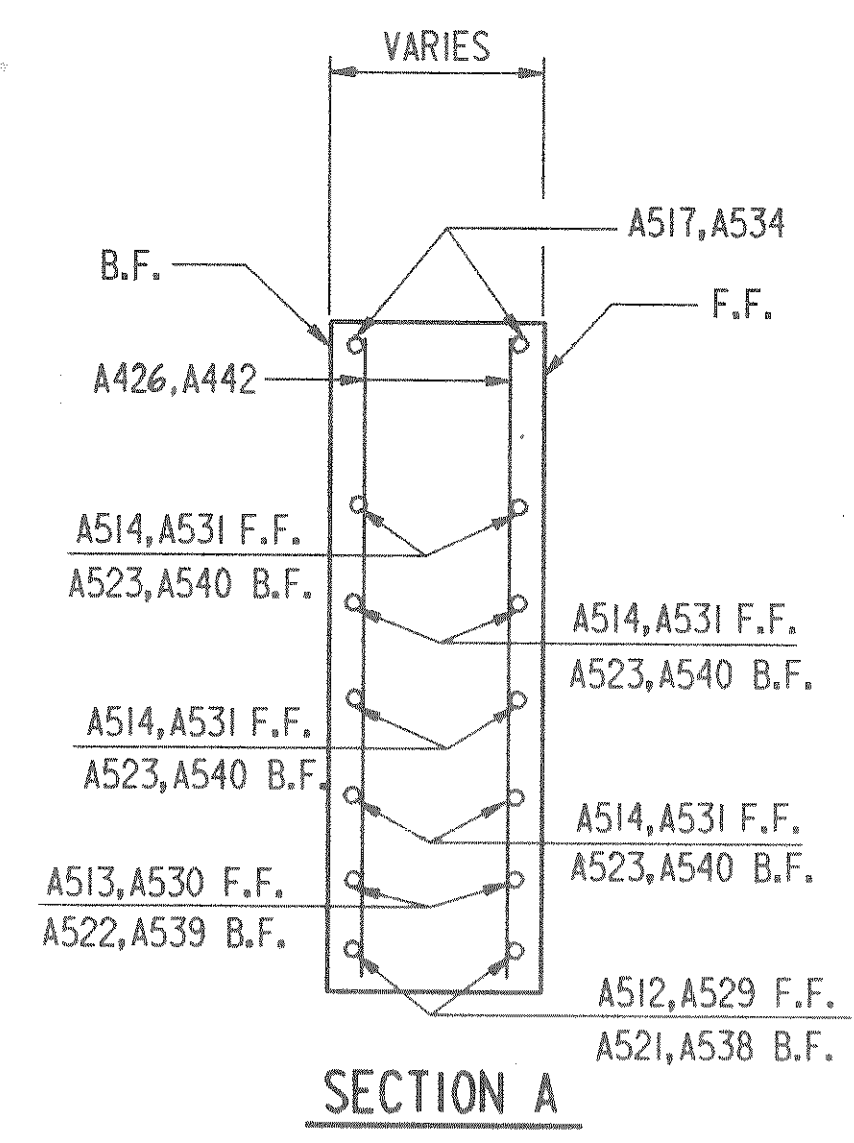
PLAN WING 2



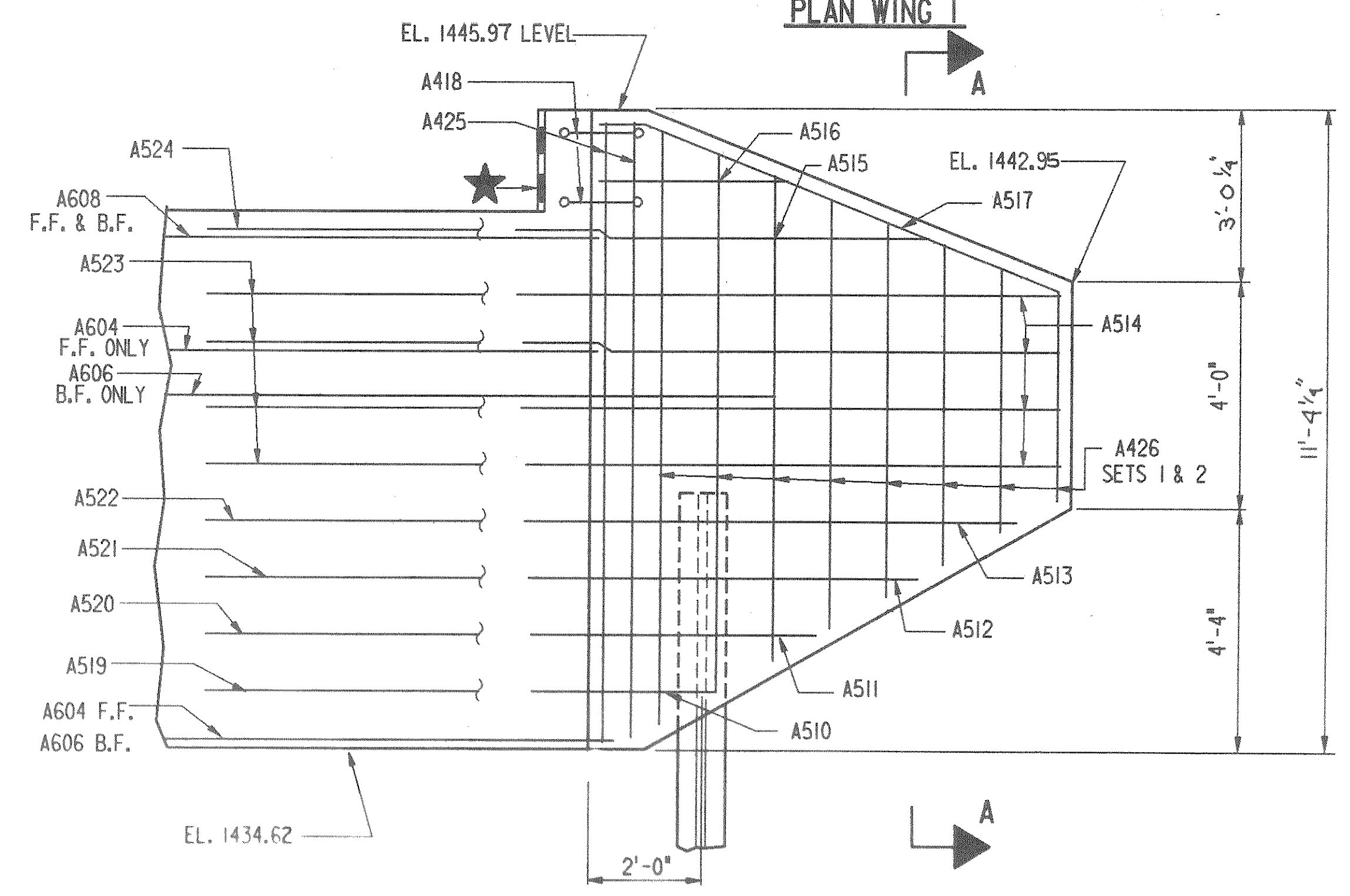
PLAN WING 1



ELEVATION WING 2



SECTION A



ELEVATION WING 1

DATE= 12-27-85

PRF= WING12  
FILE= WING12.FIN  
W.U.= 1:12:16000  
W.U.=

No.	Date	Revision	By
STATE OF WISCONSIN DEPARTMENT OF TRANSPORTATION			
STRUCTURE B-35-93			
Const. Spec.	WIS. 1981	Drawn By	T.A.W.
		Plans Checked	JRL
WINGS 1 & 2			SHEET 5 OF 12
X78444			