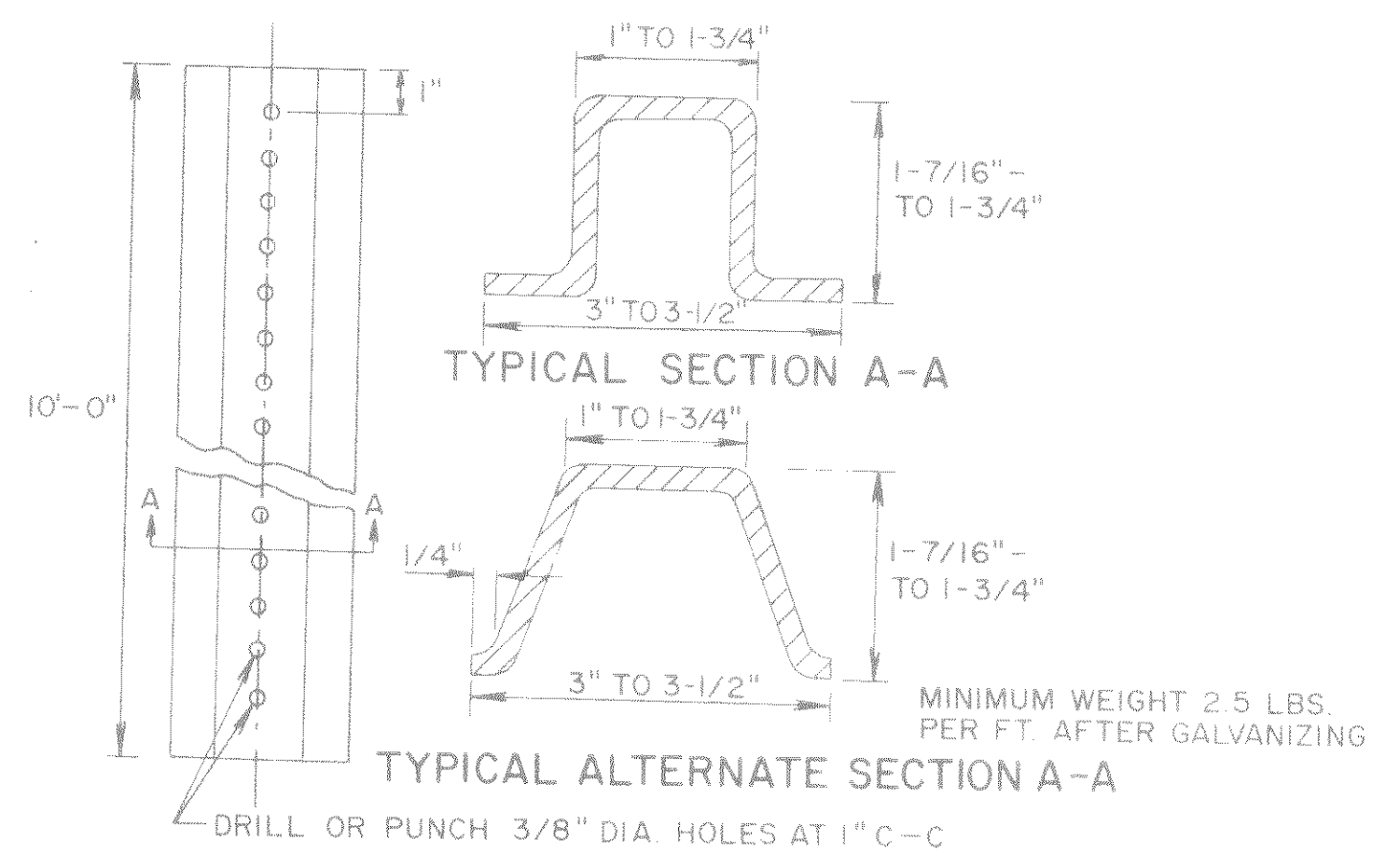
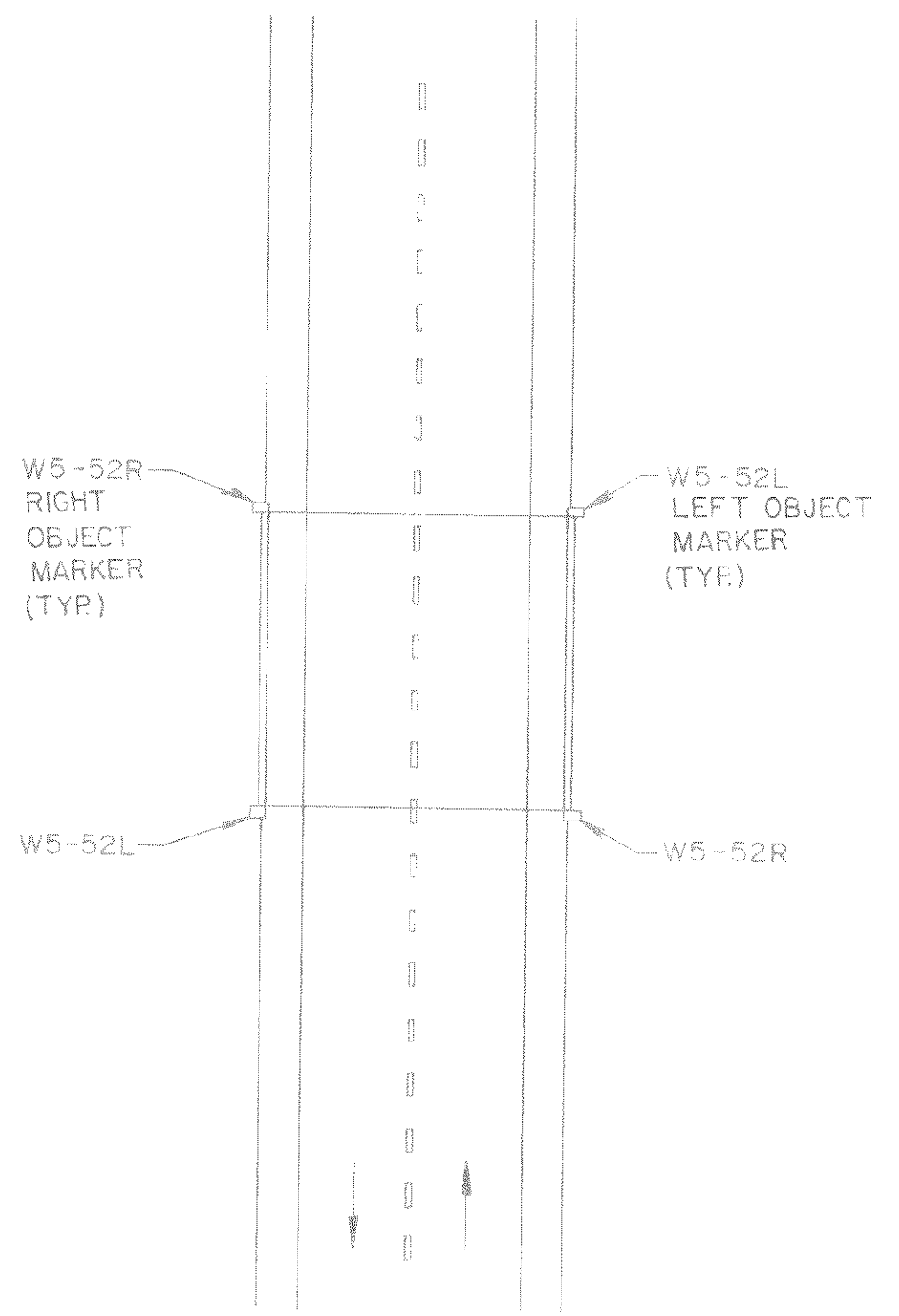


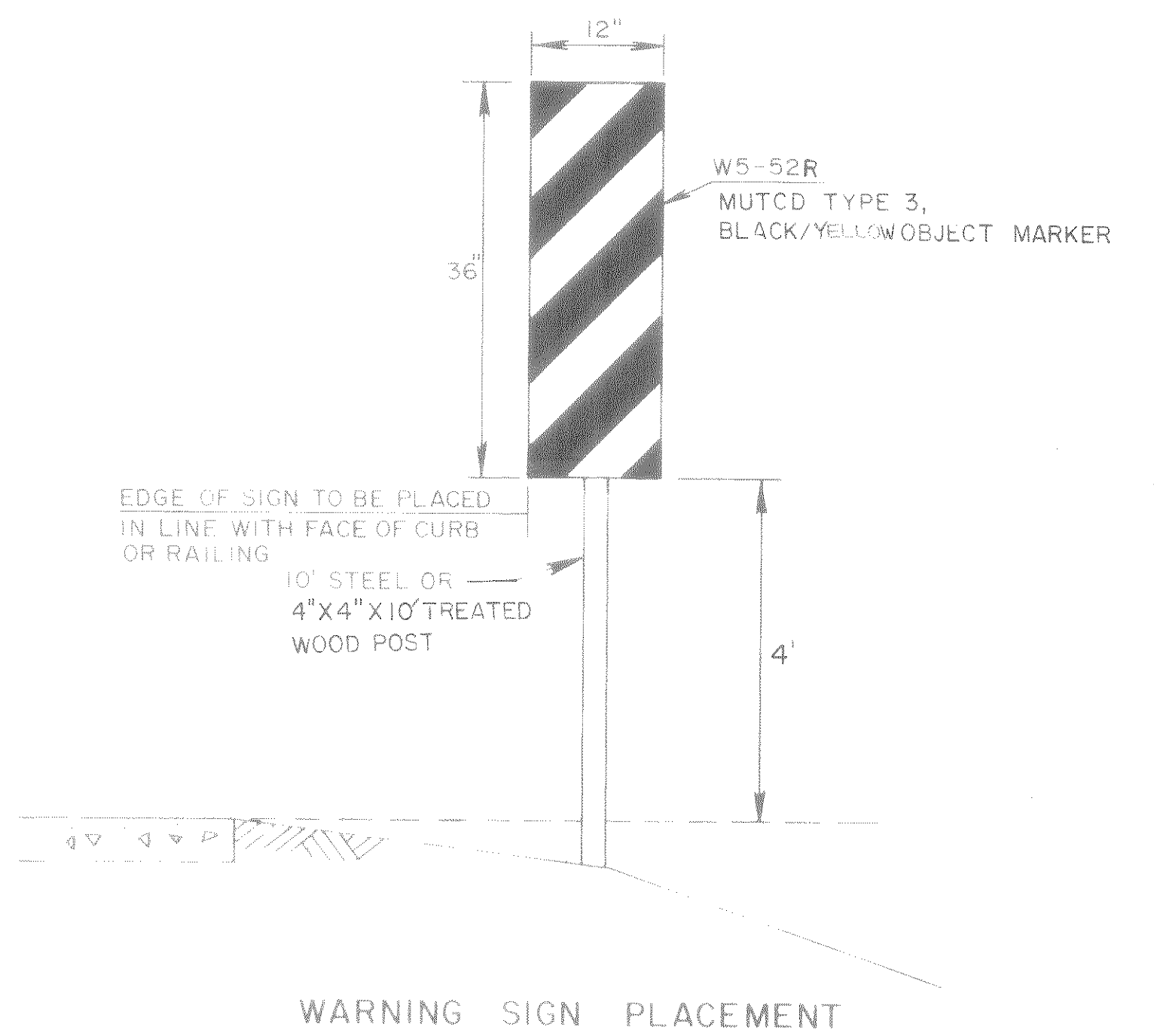
STATE PROJECT NUMBER	SHEET NO
9861-00-70	2.1
DETAILS FOR BRIDGE CLEARANCE MARKERS	



10' STEEL POSTS



LOCATION OF BRIDGE CLEARANCE MARKERS



WARNING SIGN PLACEMENT