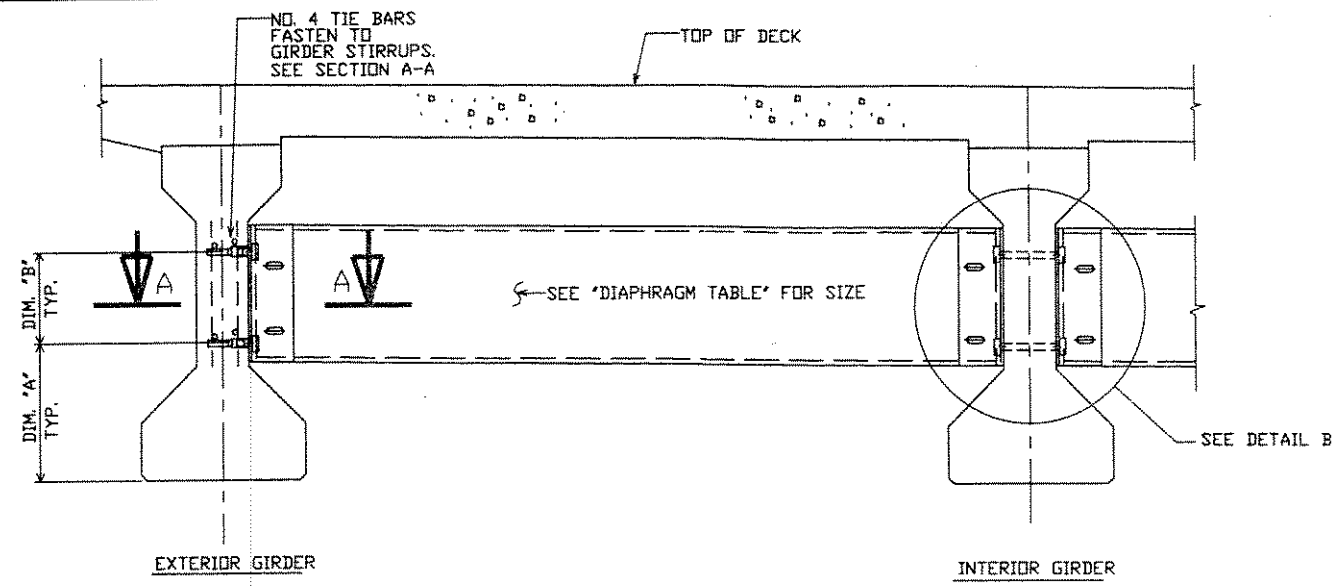


DIAPHRAGM TABLE

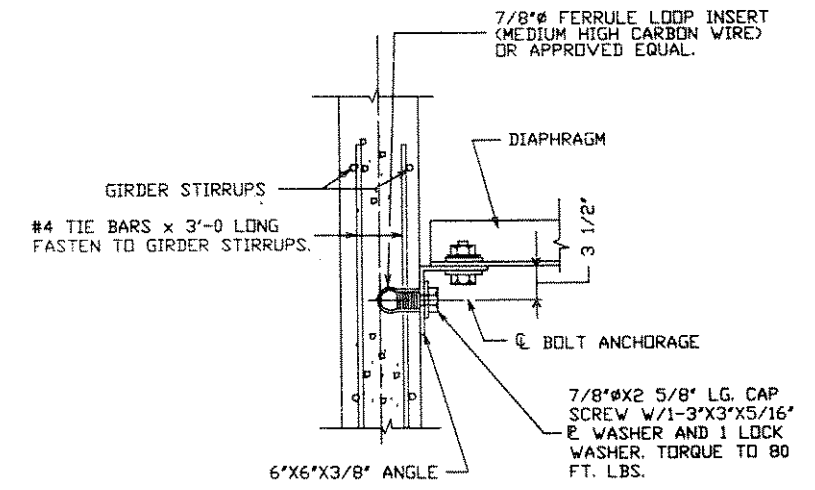
DIM. 'A'	DIM. 'B'	DIM. 'L'	DIM. 'X'	DIM. 'N'	DIAPHRAGM SIZE
1'-4 1/2"	1'-3"	1'-6"	2 1/2"	1'-5 1/2"	MC 18X42.7



PART TRANSVERSE SECTION AT DIAPHRAGM

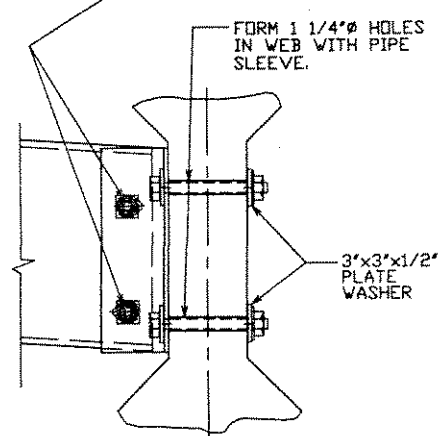
NOTES

ALL DIAPHRAGM STRUCTURAL STEEL SHALL BE ASTM A36.
 ALL BOLTS, NUTS AND WASHERS SHALL BE ASTM A325 TYPE 1.
 ALL DIAPHRAGM STRUCTURAL STEEL SHOWN SHALL BE HOT-DIPPED GALVANIZED. ALL BOLTS, NUTS AND WASHERS SHALL BE HOT-DIPPED GALVANIZED IN ACCORDANCE WITH ASTM A153 CLASS C. GALVANIZED NUTS SHALL BE TAPPED OVERSIZE IN ACCORDANCE WITH THE REQUIREMENTS OF ASTM A563 AND SHALL MEET THE REQUIREMENTS OF SUPPLEMENTARY REQUIREMENT S1 OF ASTM A563, LUBRICANT AND TEST FOR COATED NUTS.
 ALL MATERIAL FOR DIAPHRAGMS EXCEPT SLEEVES AND FERRULE INSERTS SHALL BE PAID FOR AT THE UNIT PRICE BID FOR 'STEEL DIAPHRAGM' (EACH).
 EACH DIAPHRAGM BETWEEN GIRDERS SHALL CONSTITUTE ONE UNIT.

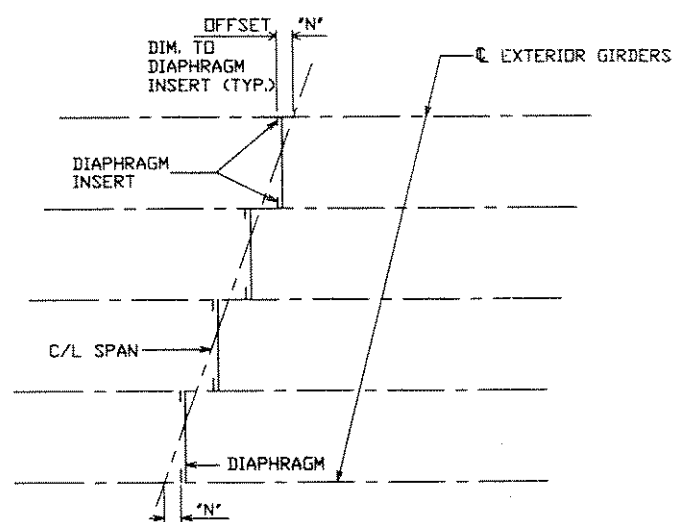


SECT. A-A
(FOR EXTERIOR ATTACHMENT)

7/8" HIGH STRENGTH BOLTS WITH HEX. NUT & WASHER AND TWO 3" SQUARE x 5/16" PLATE WASHERS EACH.

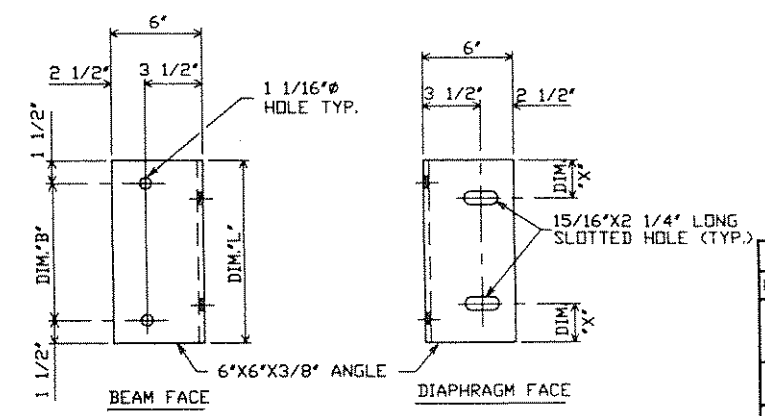


DETAIL B
(FOR INTERIOR ATTACHMENT)



PLAN FOR DIAPHRAGM LAYOUT

(SEE 'GENERAL PLAN' SHEET FOR ACTUAL NUMBER OF INTERIOR GIRDERS.)



DIAPHRAGM SUPPORT

NO.	DATE	REVISION	BY
STATE OF WISCONSIN DEPARTMENT OF TRANSPORTATION DIVISION OF HIGHWAYS			
STRUCTURE B-35-0134			
CONST. SPEC.	1989	DRAWN BY	DM
		PLANS CK'D.	RB
STEEL DIAPHRAGM			SHEET 9 OF 10