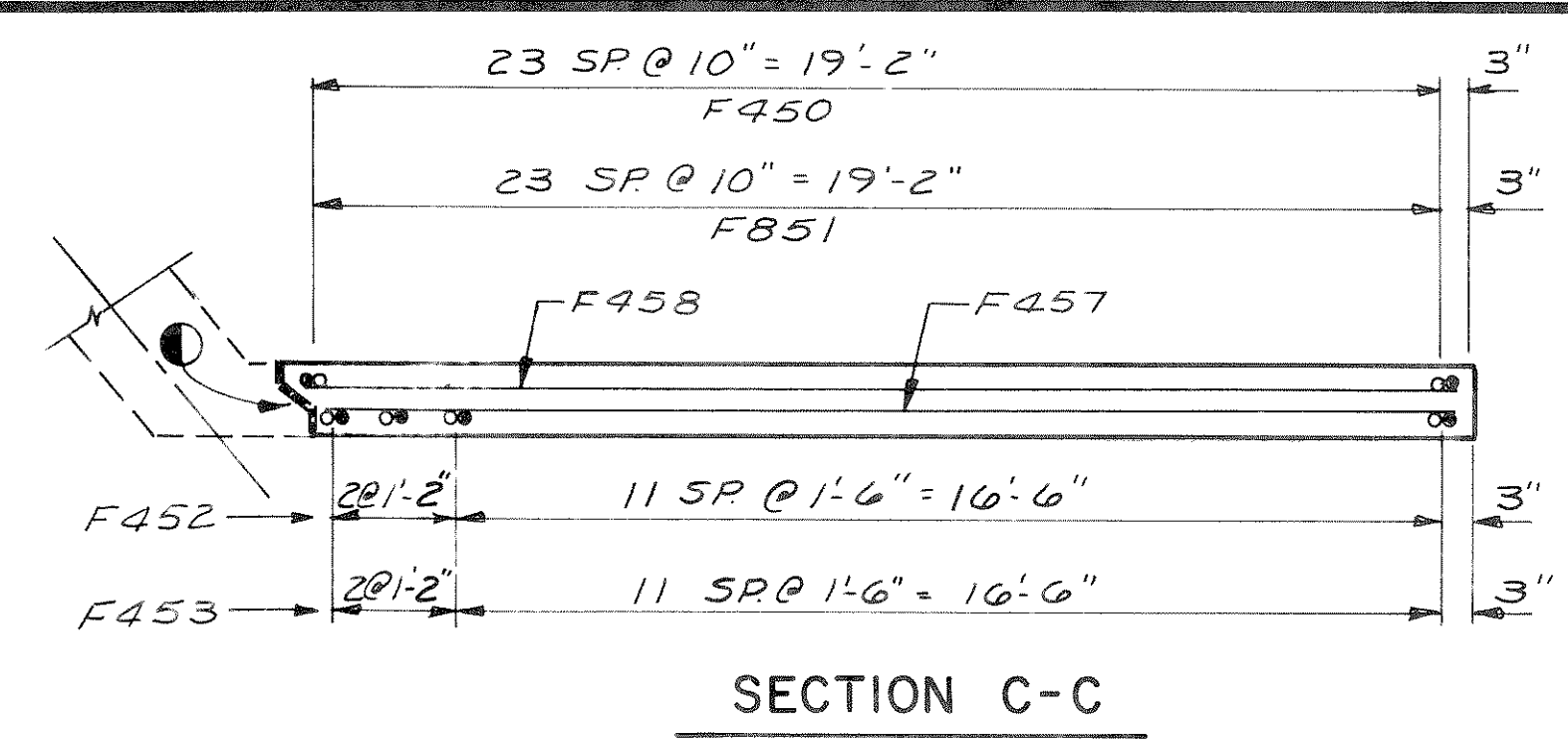
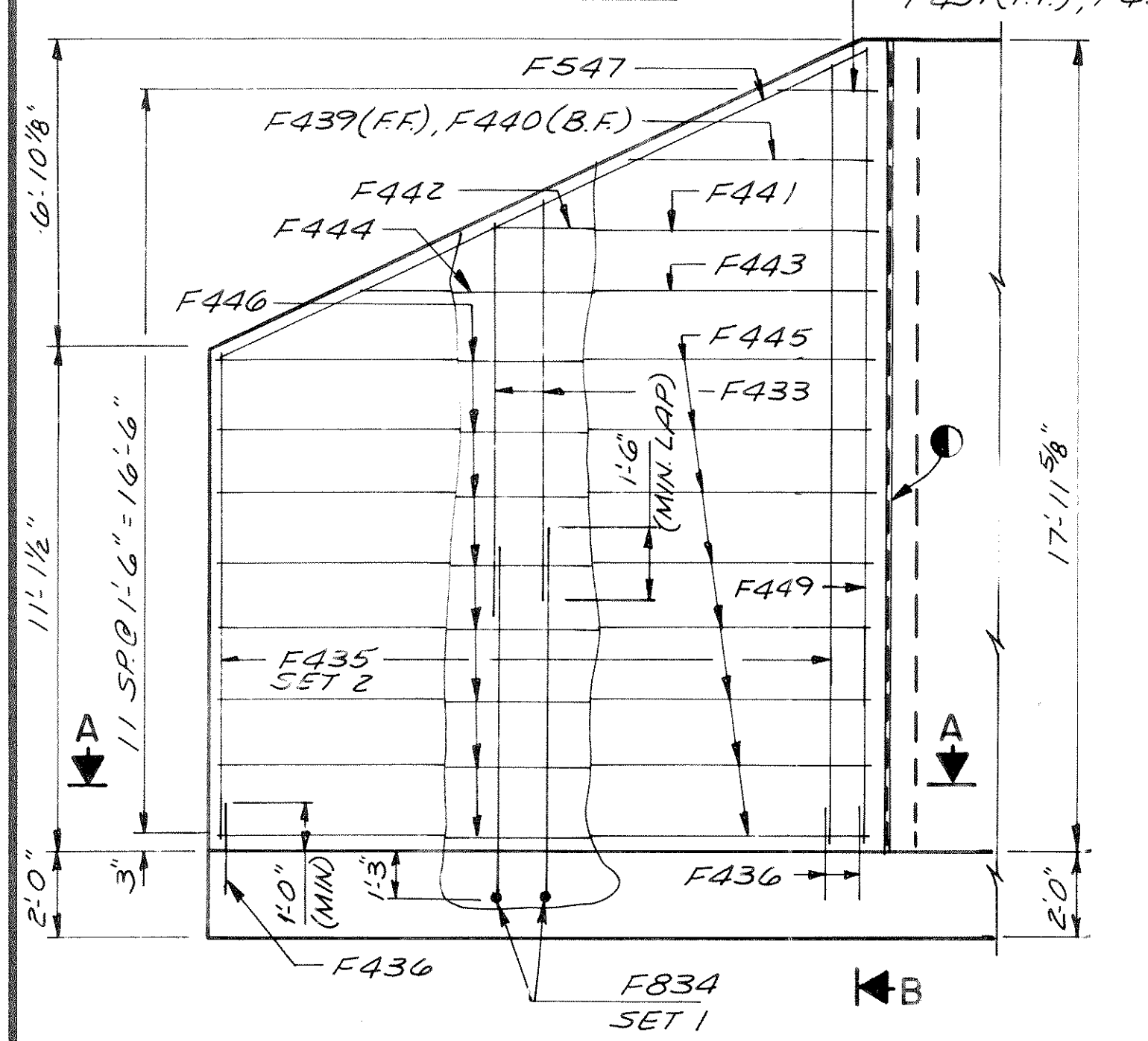


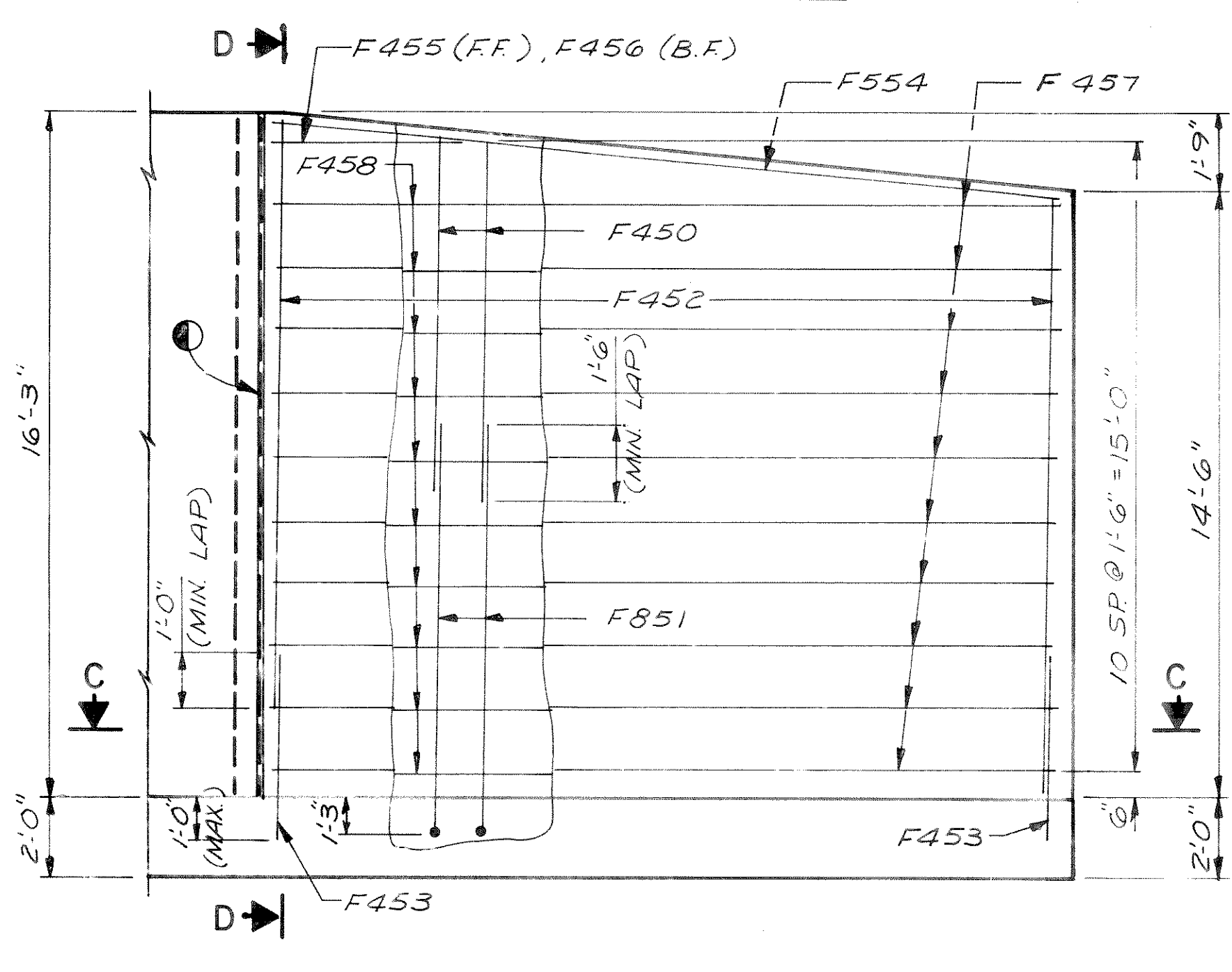
SECTION A-A



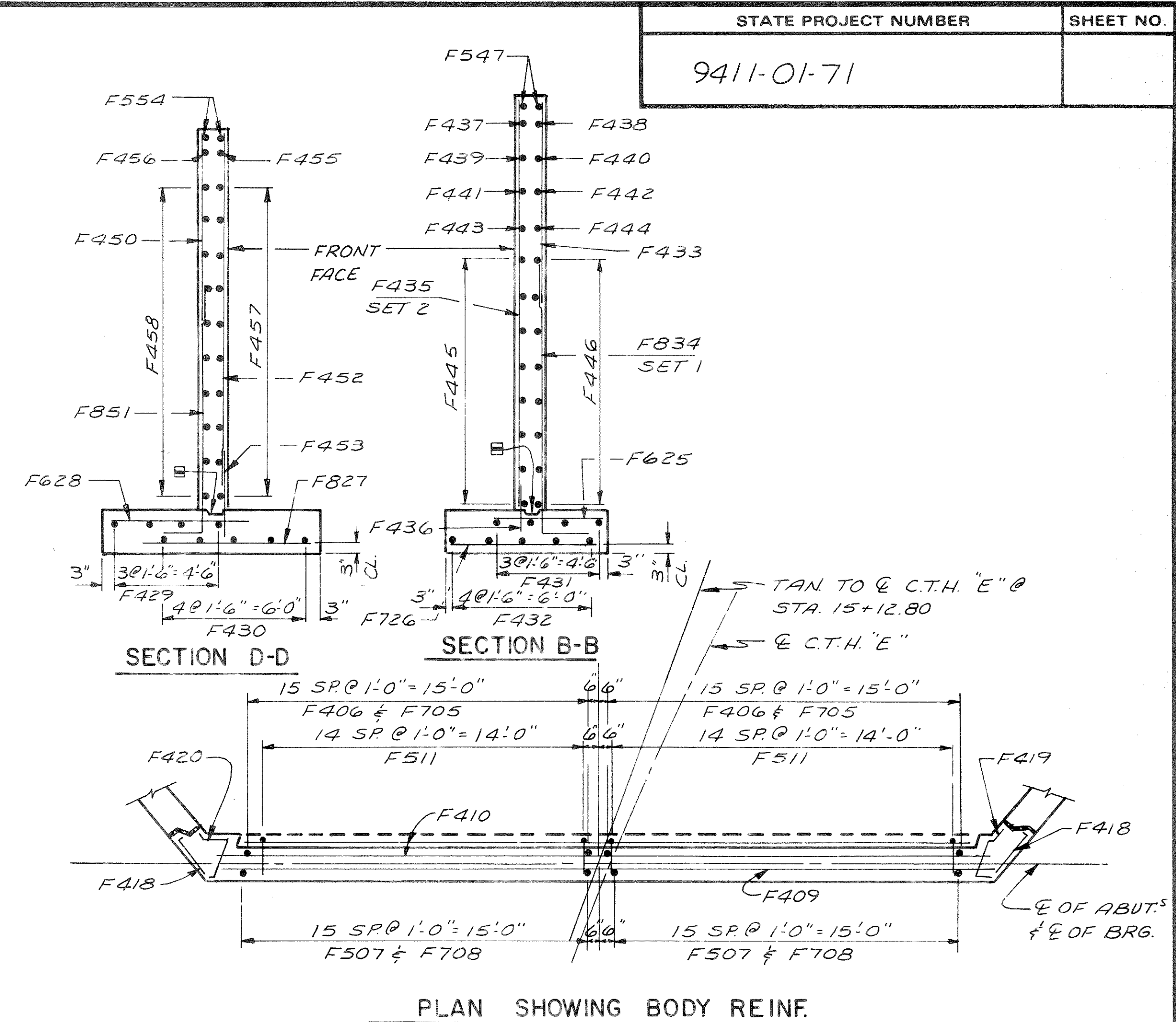
SECTION C-C



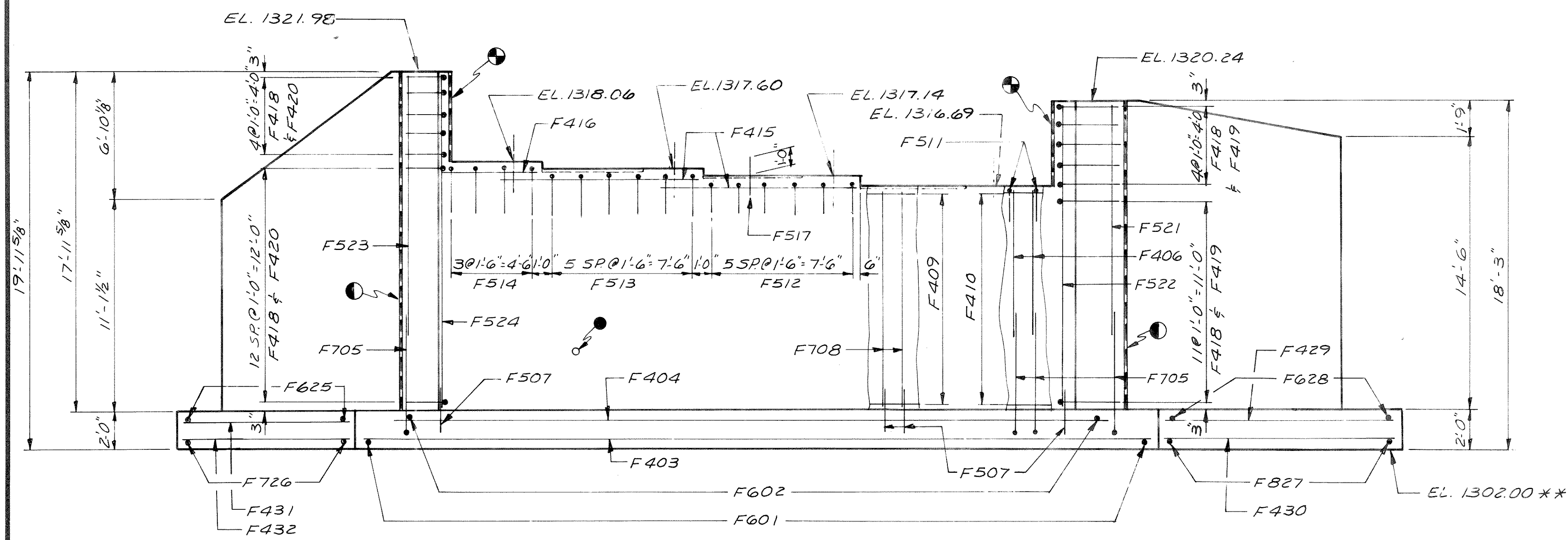
ELEVATION WING 2



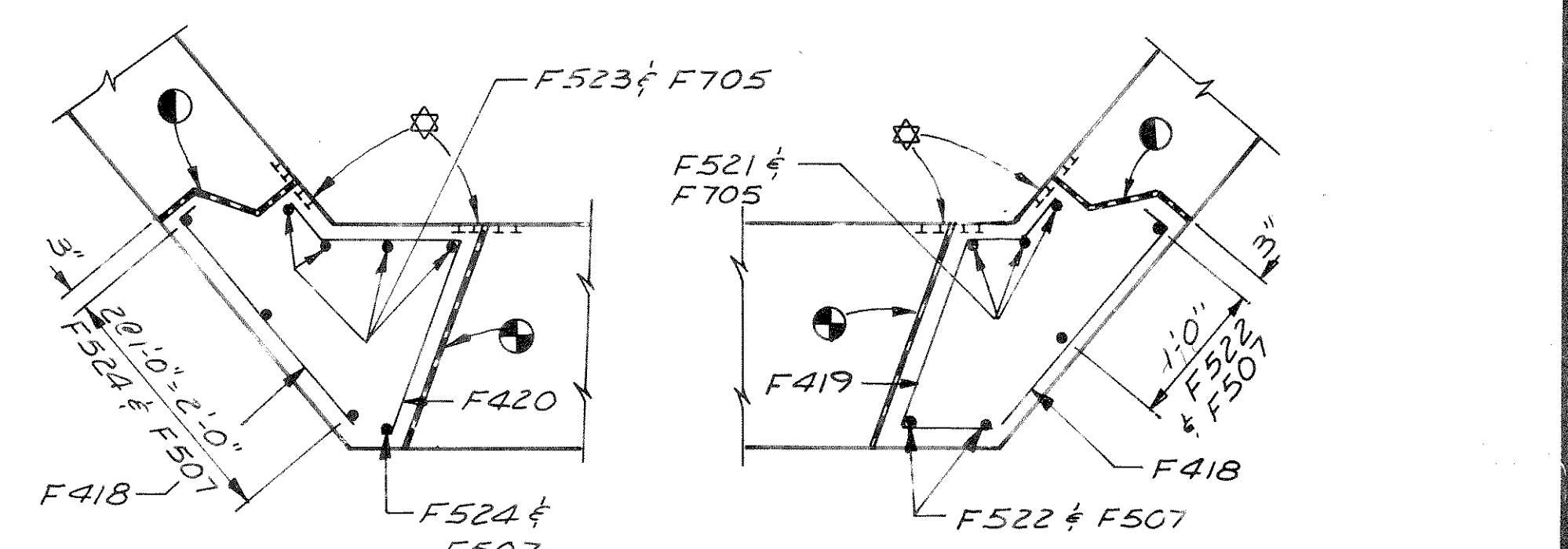
ELEVATION WING 1



PLAN SHOWING BODY REINF.



ELEVATION (LOOKING SOUTH)



PLAN AT WINGS

NOTE: PLAN SHOWS VERT. REINF. & HORIZ. REINF. ABOVE BEAM SEATS.

- ** SEE FOUNDATION NOTE SHT. 1.
- 3" DIA WEEP HOLES - SEE SHT. 4 FOR LOCATION.
- 1/2" FILLER - SEE NOTE SHT. 4.
- 3/4" FILLER - SEE NOTE SHT. 4.
- CONST. JOINT - FORMED BY SURFACED BEVELED 2" x 6" KEYWAY.
- ⊗ POLYVINYL CHLORIDE WATERSTOP, SEE SHT. 4 & 8.

No.	Date	Revision	By
STATE OF WISCONSIN DEPARTMENT OF TRANSPORTATION			
STRUCTURE B - 35 - 84			
Const. Spec. 1981	Drawn By NJA	Plans Checked RIS	
SOUTH ABUTMENT			SHEET 5 OF 11 X67856