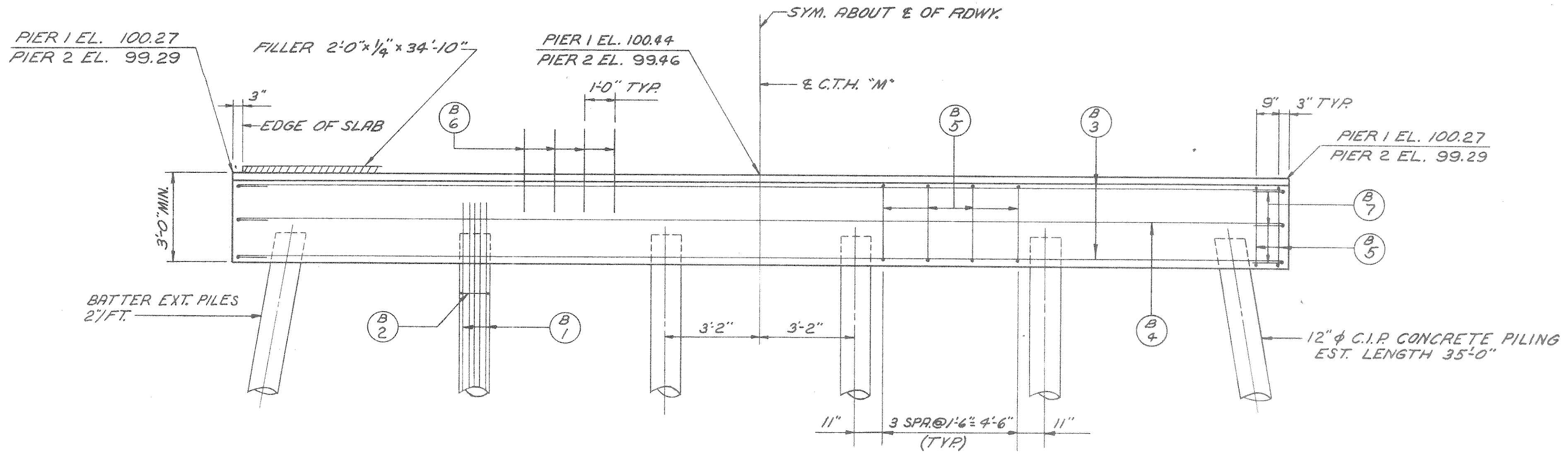
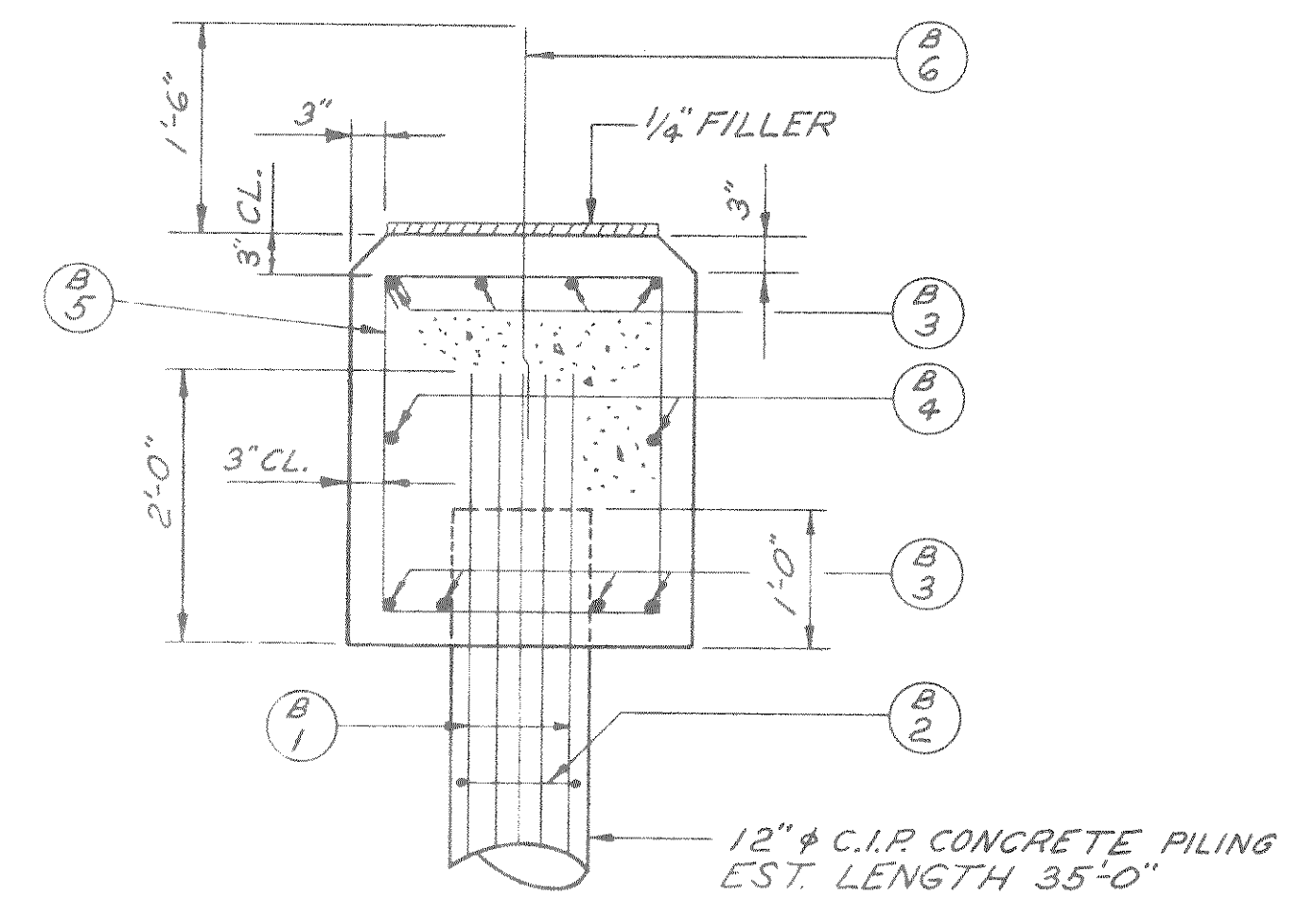


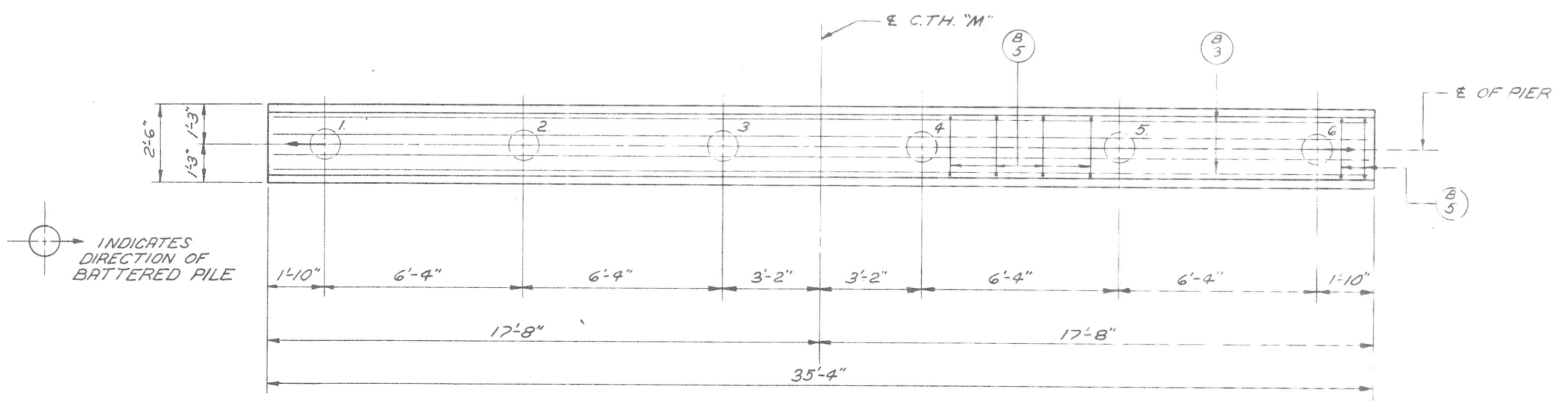
B. P. R. DIVISION	PROJECT	SHEET NO.	TOTAL SHEETS
4	E-0-10(2)	9	11



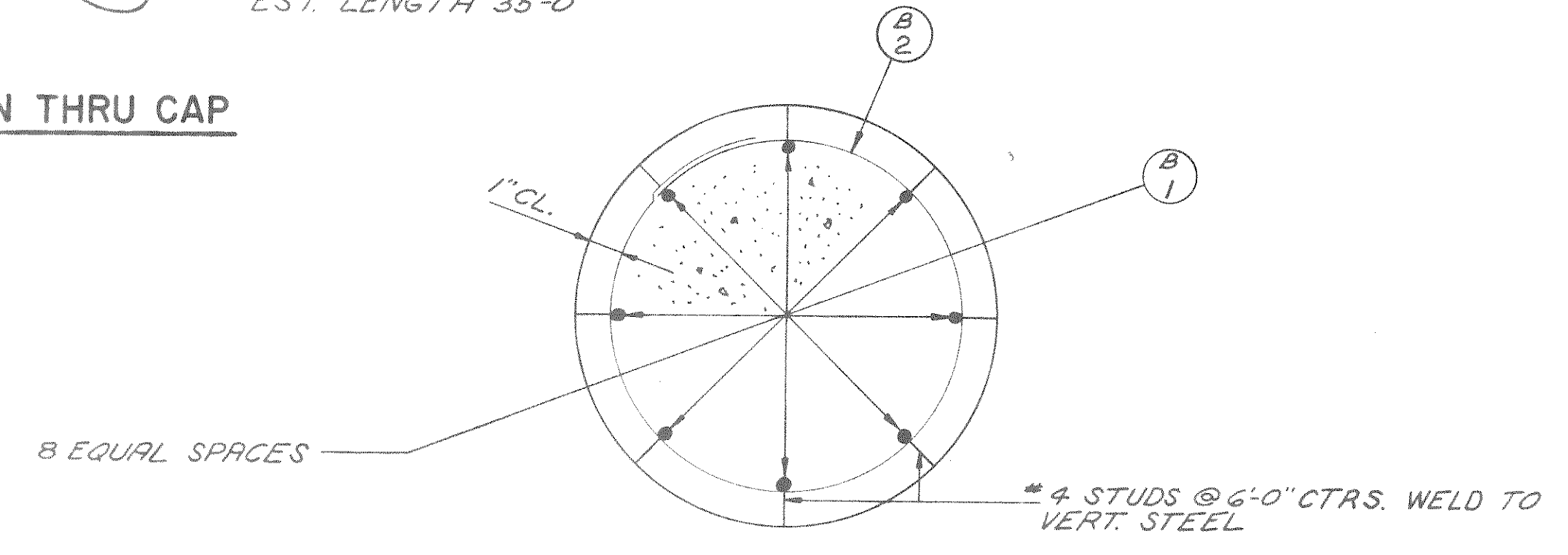
ELEVATION
LOOKING NORTH



SECTION THRU CAP



PLAN



SECTION THRU PILES

REVISED	STATE HIGHWAY COMMISSION OF WISCONSIN
	PIERS 1&2
	DESIGN SPEC. R.P.S.H.O.'61 LOADING H15 CONCR. 1963
	DATE 4-21-66 DESIGN G.E.Z. DRAWN P.R.L. CRD. B.K.Z.
STRUCTURE B-35-17	SHEET 6 OF 8