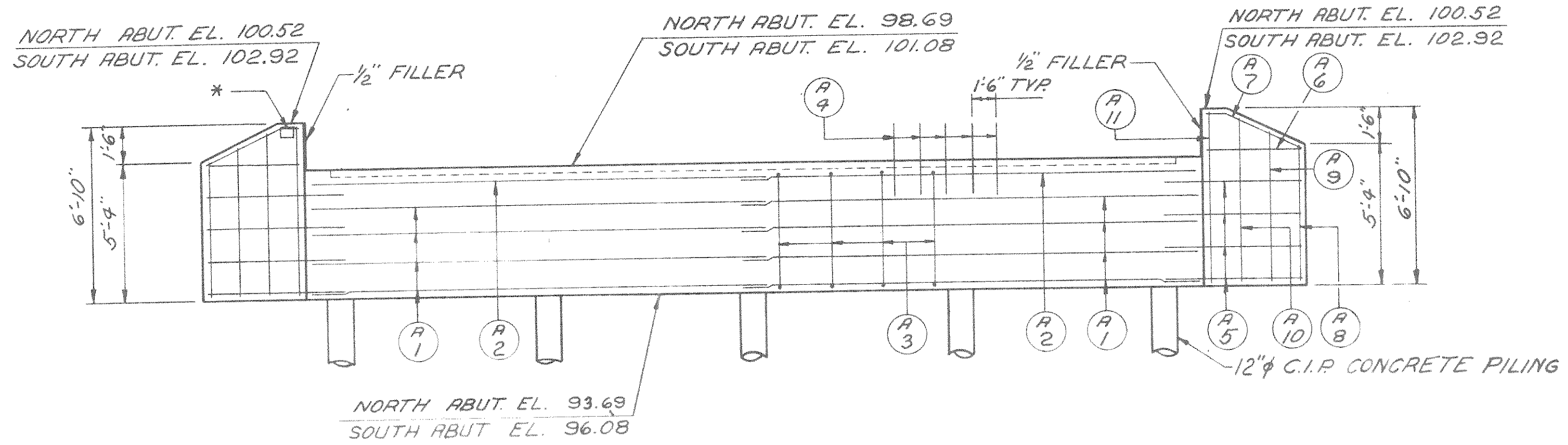
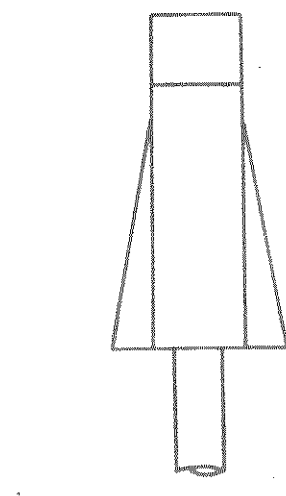


B.P.R. DIVISION	PROJECT	SHEET NO.	TOTAL SHEETS
4	E 35-17	8	11



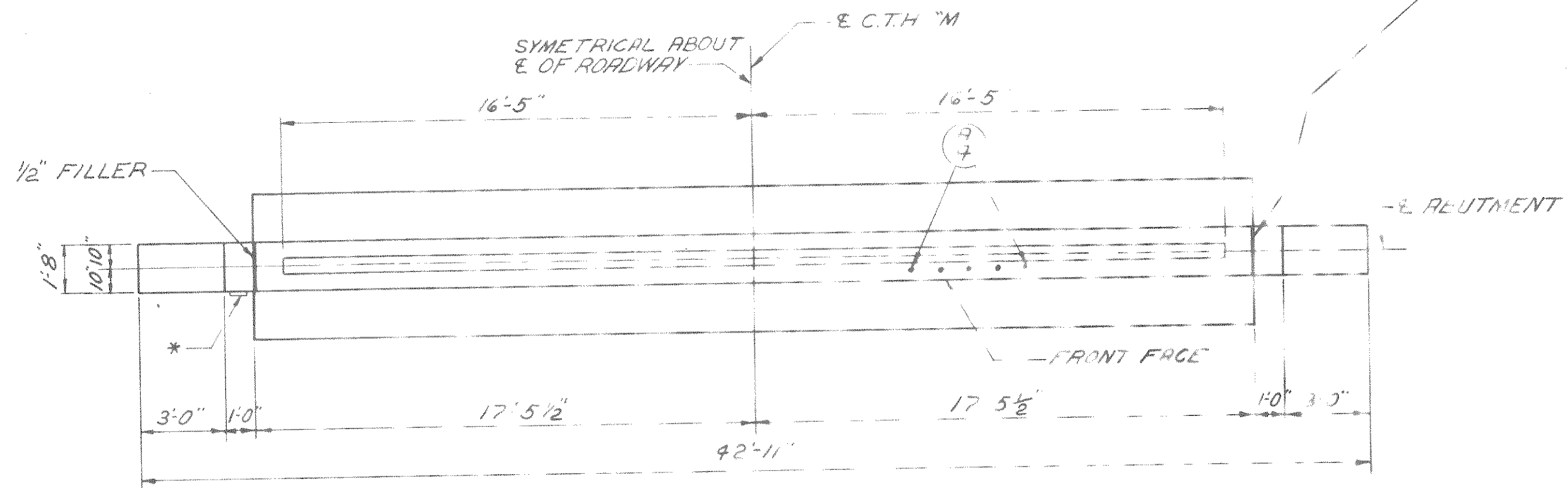
ELEVATION



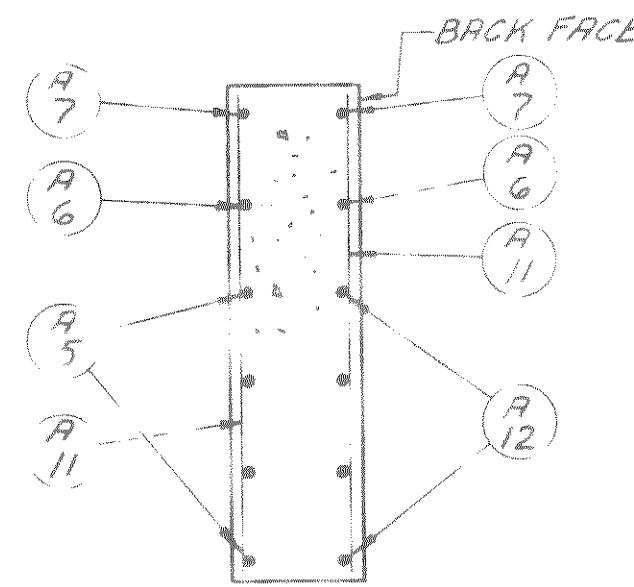
END VIEW

* PLACE NAME PLATE AT FF. OF WING OF S. ABUT. AS NEAR TO TOP OF WING AS POSSIBLE. SEE 'PLAN' ON X34815 FOR LOCATION.

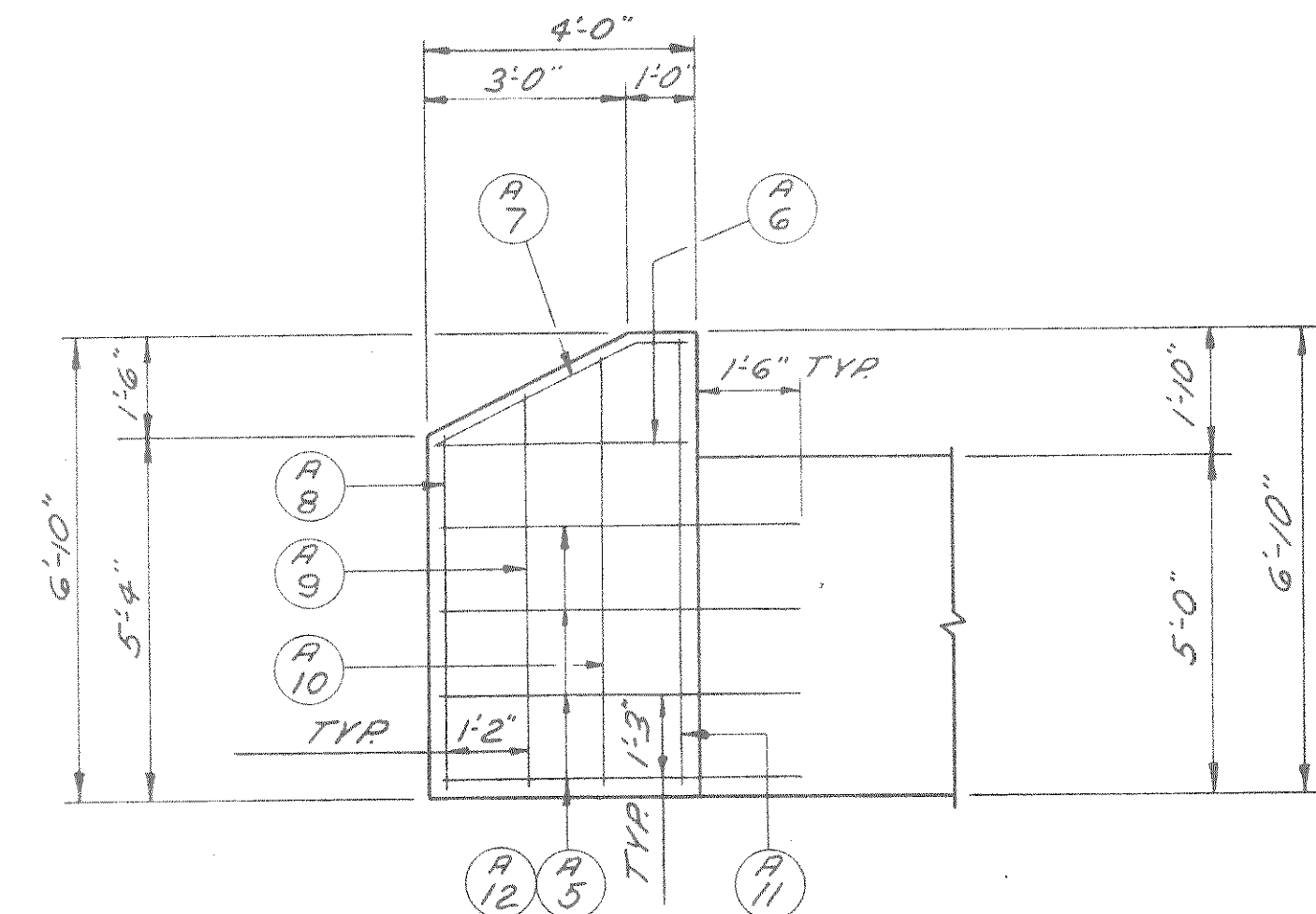
NOTE: 1/2" FILLER - SEAL HORIZ. & VERTICAL SURFACES WITH NON-STAINING GRAY TWO COMPONENT POLY-SULFIDE LIQUID POLYMER (GUN GRADE) WITH SURFACE PRIMER CONFORMING TO A.S.A - A 116.1-1960. (1" DEEP & HOLD 1/8" BELOW SURFACE OF CONCRETE.)



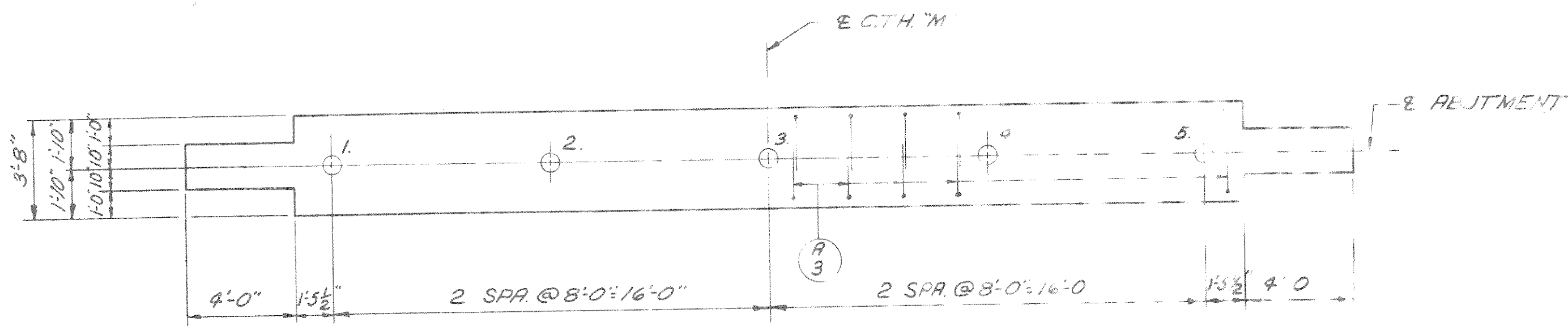
PLAN



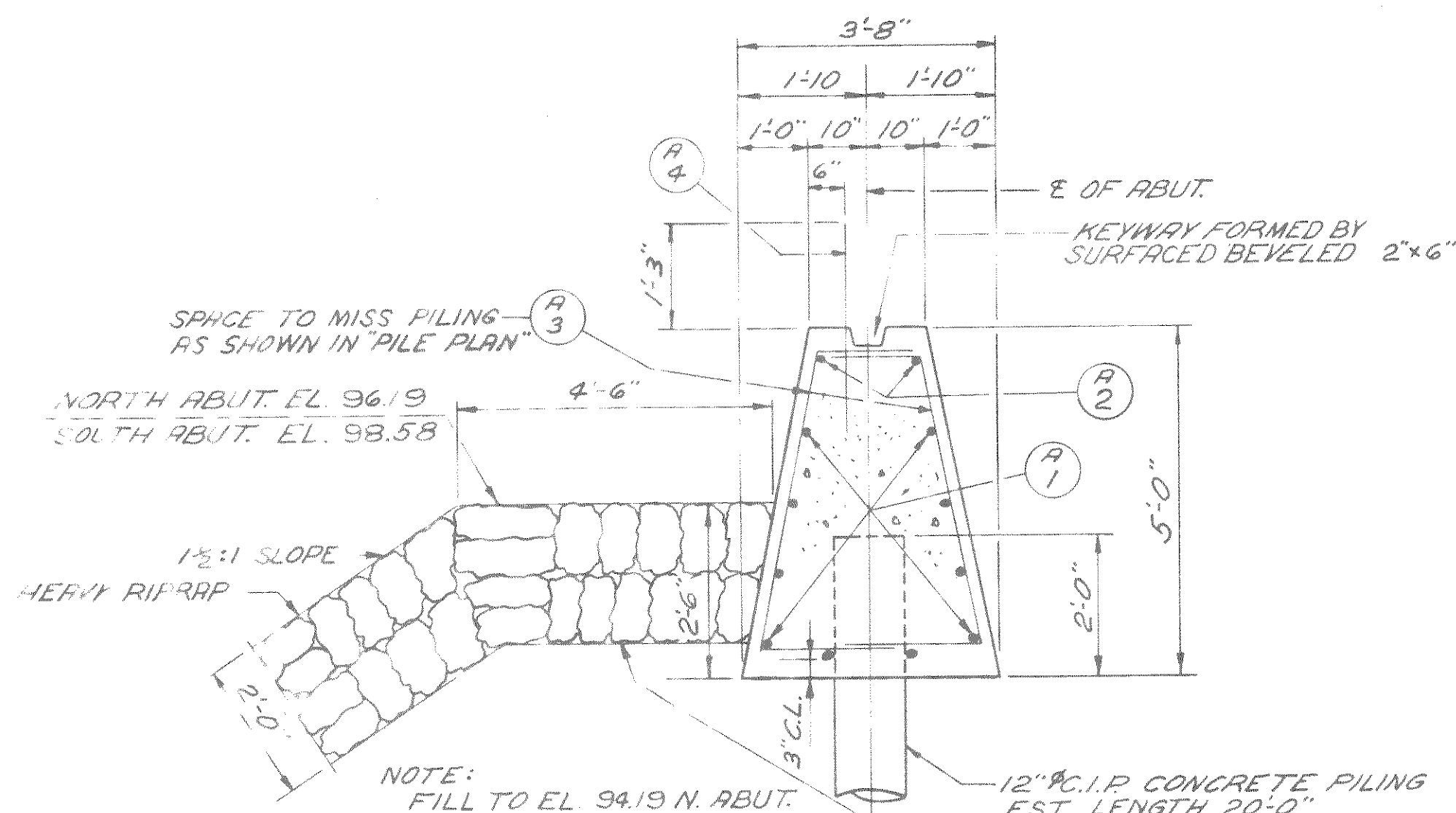
SECTION THRU WING



WING ELEVATION



PILE PLAN



NOTE: FILL TO EL 94.19 N. ABUT. AND EL. 96.58 S. ABUT. BEFORE DRIVING PILING. UPPER LIMITS OF "EXCAVATION FOR STRUCTURES" SHALL NOT EXCEED THIS ELEVATION. OUR L.S.T. QUANT. ARE BASED ON THIS

SECTION THRU BODY

REVISION	STATE HIGHWAY COMMISSION OF WISCONSIN		
	ABUTMENTS		
DESIGN BY: A.R.S.H.O. '61	LOADING: H15	COST: 1963	DATE: 4-21-66
	DESIGN: G.E.Z.	DRAWN: P.R.L.	CHECK: B.M.Z.
STRUCTURE B - 35 - 17		SHEET 5 OF 8	