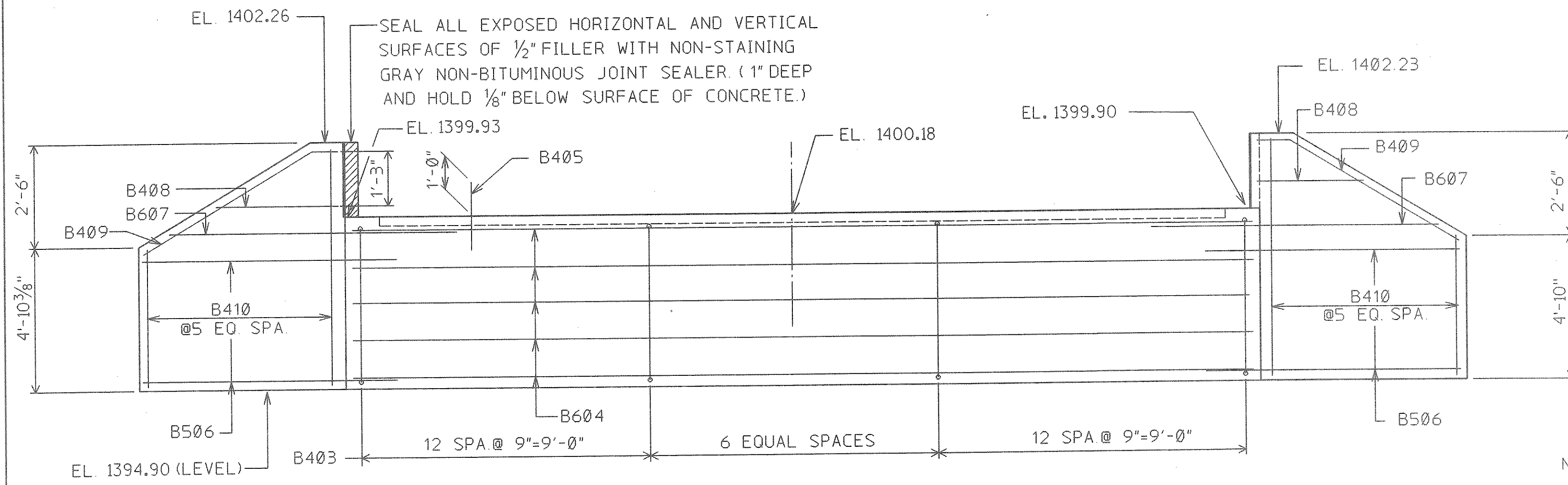


BILL OF BARS

(BAR TABLE APPLIES TO THIS ABUT ONLY)

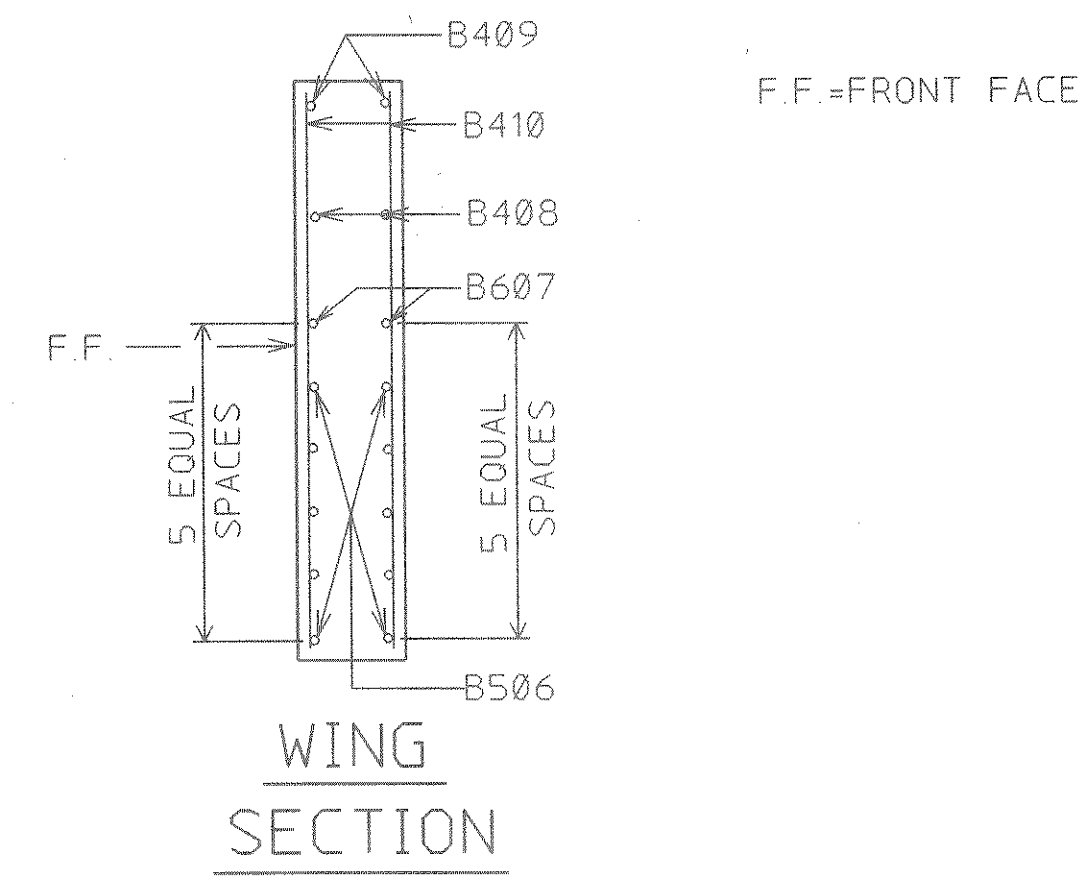
NOTE: BAR DIMENSIONS ARE OUT TO OUT OF BAR. THE FIRST OR FIRST TWO DIGITS OF A BAR MARK SIGNIFIES THE BAR SIZE.

BAR MARK	COAT	NO. REQ'D	LENGTH	BENT	CUT DIAG	LOCATION
B401		4	28-0	X		BODY - ONE PER PILE
B402		8	2-3			BODY - TWO PER PILE
B403		62	8-2	X		BODY - STIRRUPS
B604		12	26-4			BODY - HORIZ.
B405		26	2-0			BODY - VERT. - DOWELS
B506		20	8-4			WINGS - HORIZ
B607		4	10-1			WINGS - HORIZ
B408		4	3-10			WINGS - HORIZ
B409		4	7-0	X		WINGS - TOP
B410		12	11-6		X	WINGS - VERT.



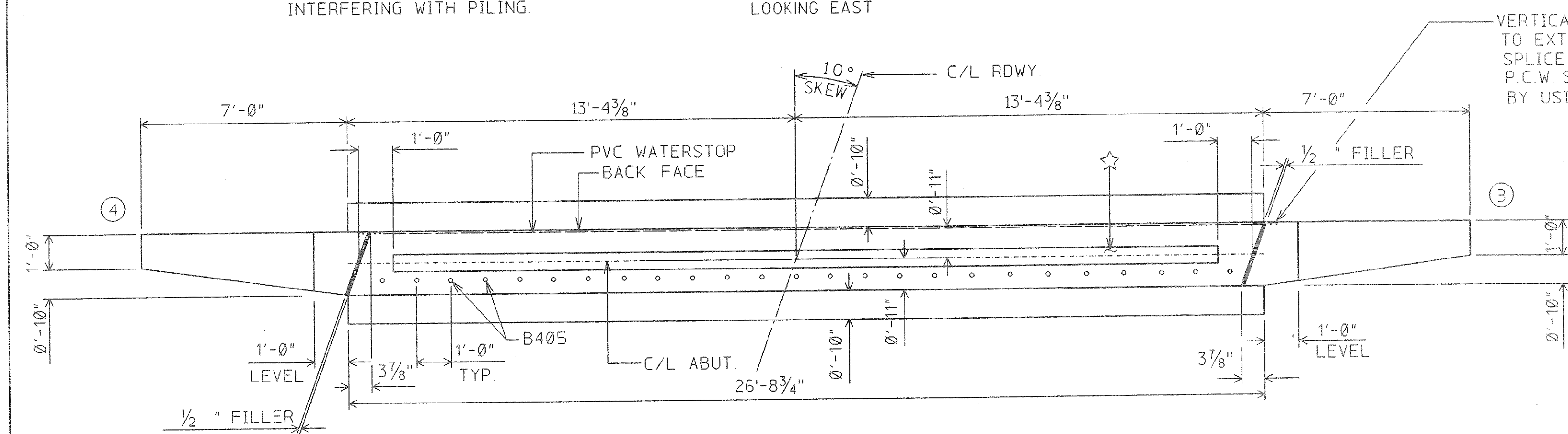
ELEVATION
LOOKING EAST

NOTE: DISPLACE B403 BARS INTERFERING WITH PILING.

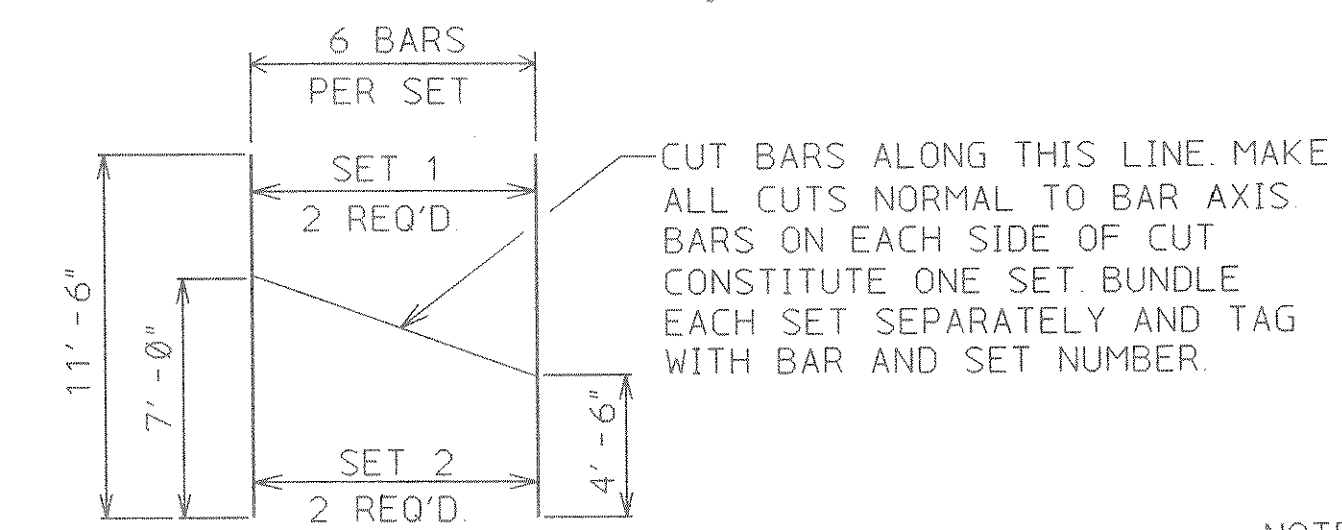


WING SECTION

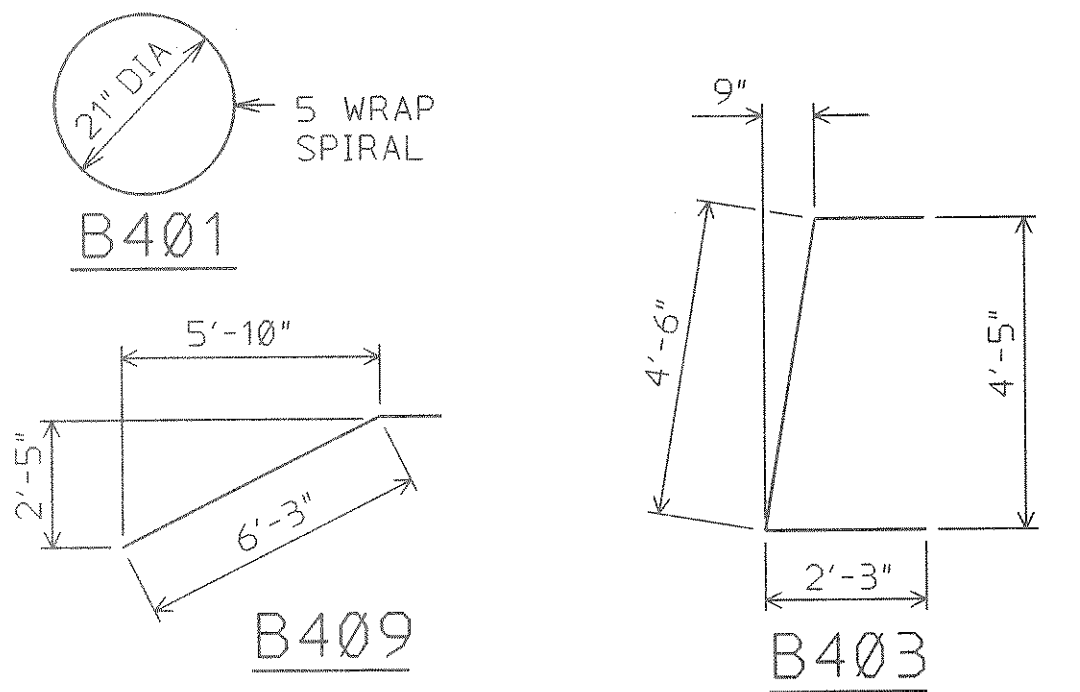
NOTE: HOLD P.C.W FLUSH WITH CONCRETE. SEAL ALL VERT ENDS OF P.C.W WITH NON-STAINING NON-BITUMINOUS JOINT SEALER



PLAN

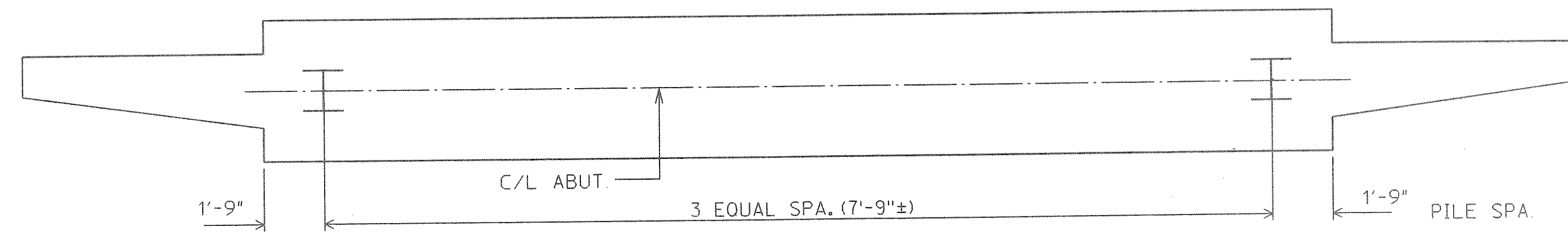


CUTTING DIAGRAM

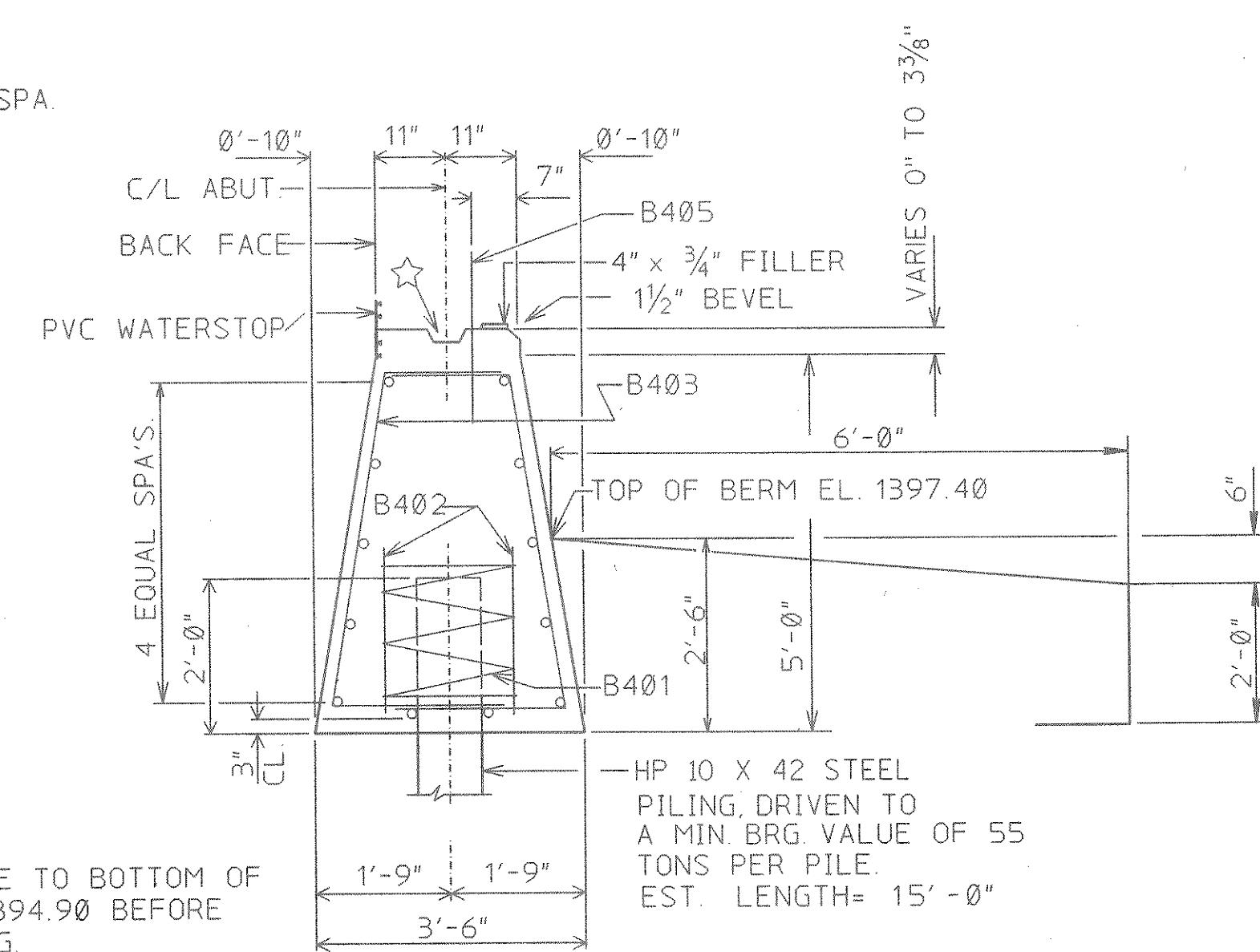


NOTE: B405 BARS MAY BE PLACED AFTER CONC IS POURED, BUT BEFORE INITIAL SET HAS OCCURED.

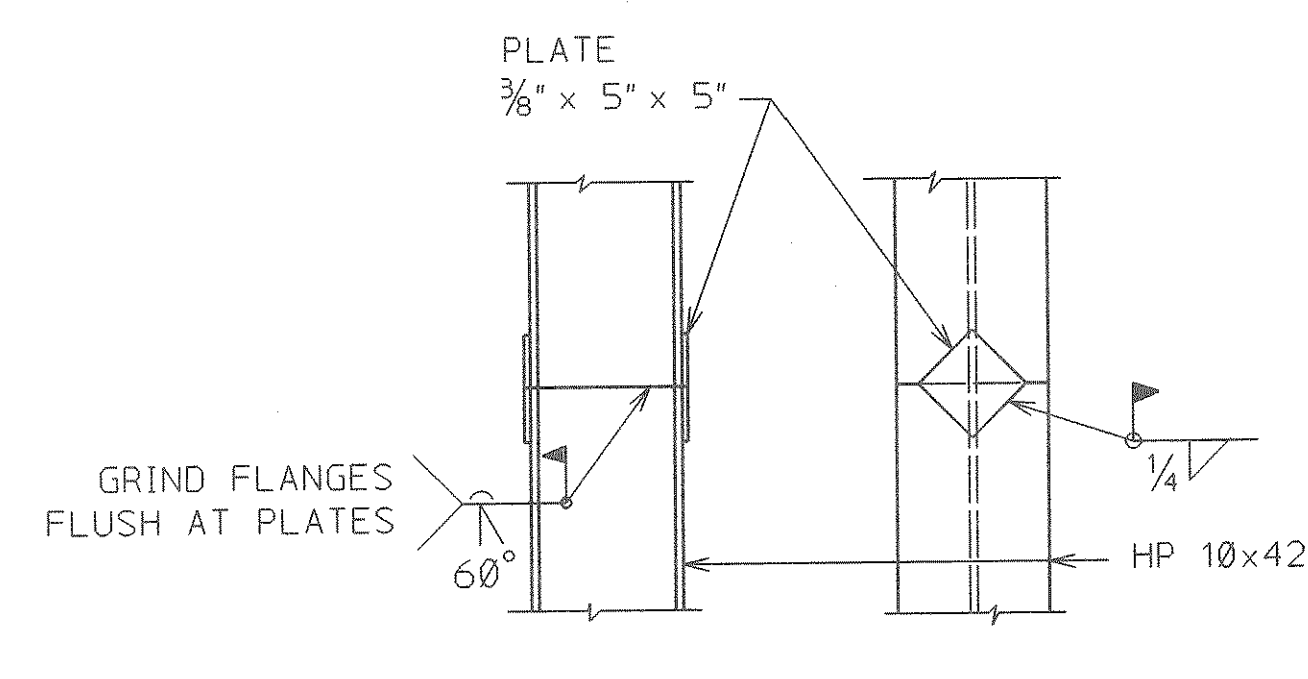
☆ CONST JOINT KEYWAY FORMED WITH A SURFACED, BEVELED 2"x 6".



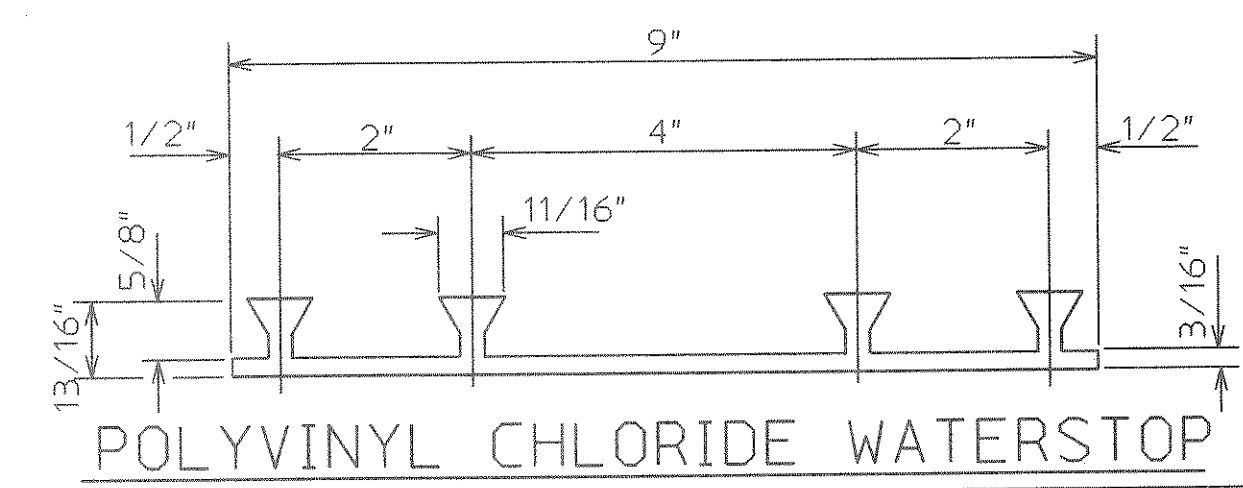
PILE PLAN



SECT. THRU BODY
ALL HORIZ. BARS ARE B604



STEEL 'HP' PILING
PILE SPLICE DETAILS



POLYVINYL CHLORIDE WATERSTOP

NO.	DATE	REVISION	BY
STATE OF WISCONSIN DEPARTMENT OF TRANSPORTATION			
STRUCTURE B-35-129			
CONST. SPEC.	1989	DRAWN BY NJA	PLANS CK'D. CJB
EAST ABUTMENT			SHEET 5 OF 7