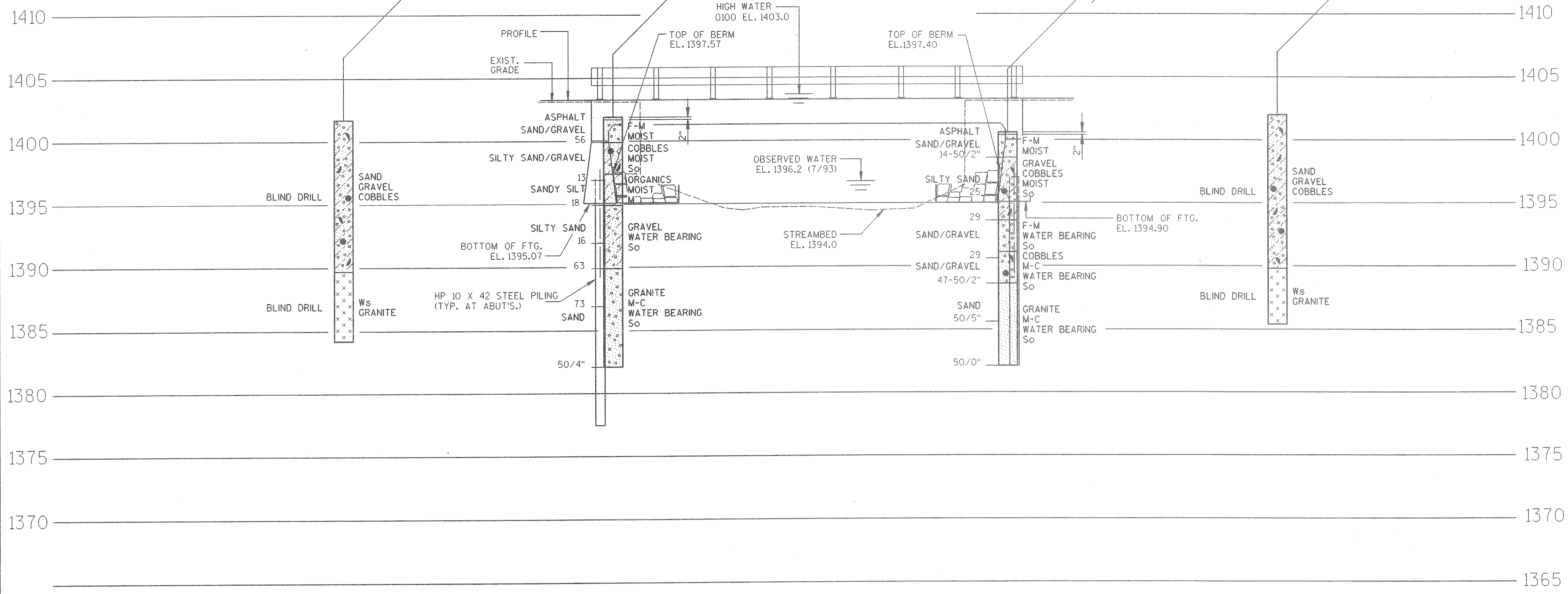
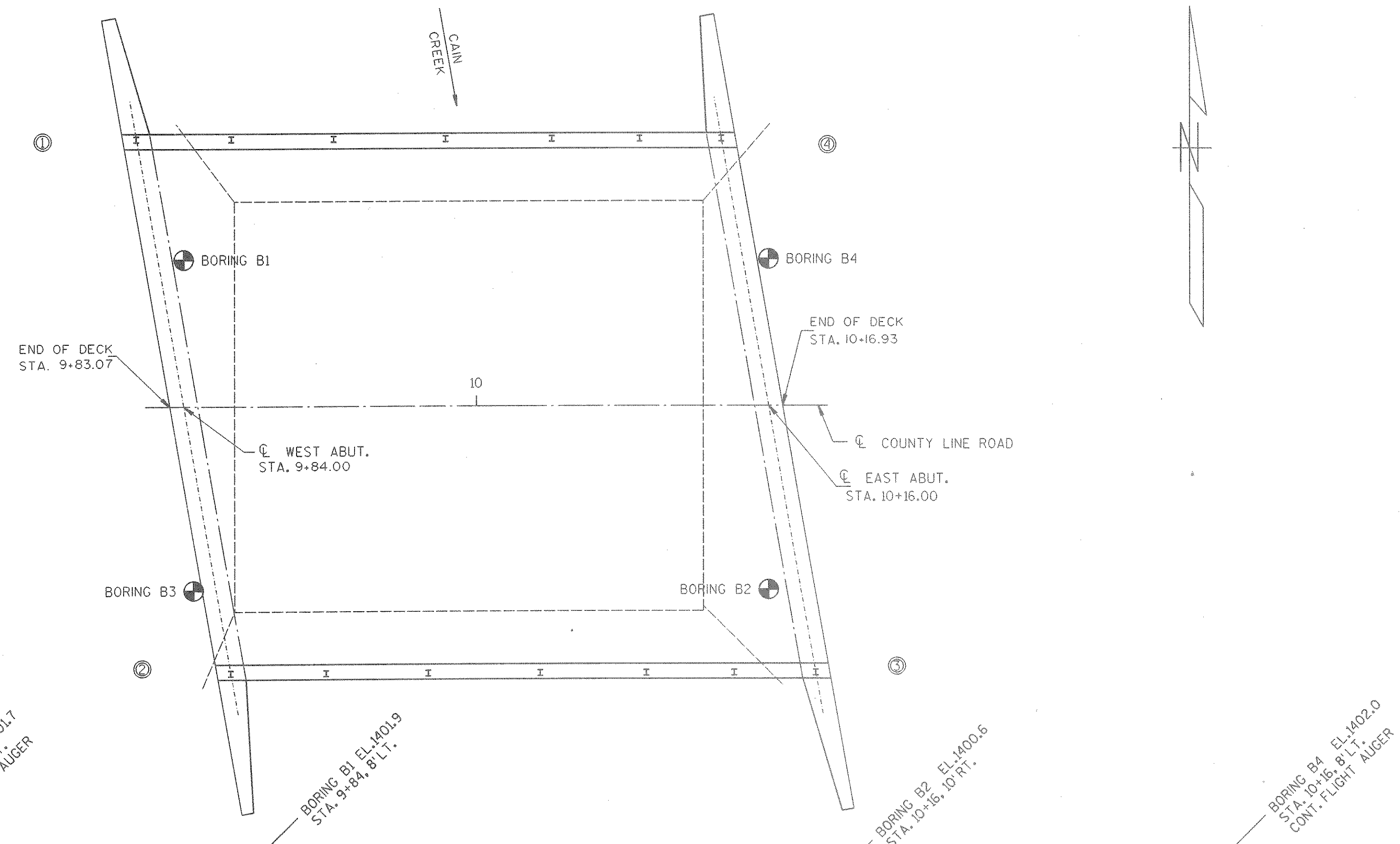


BORINGS BY
TWIN CITY TESTING
APPLETON, WISCONSIN
ON 10-5-93

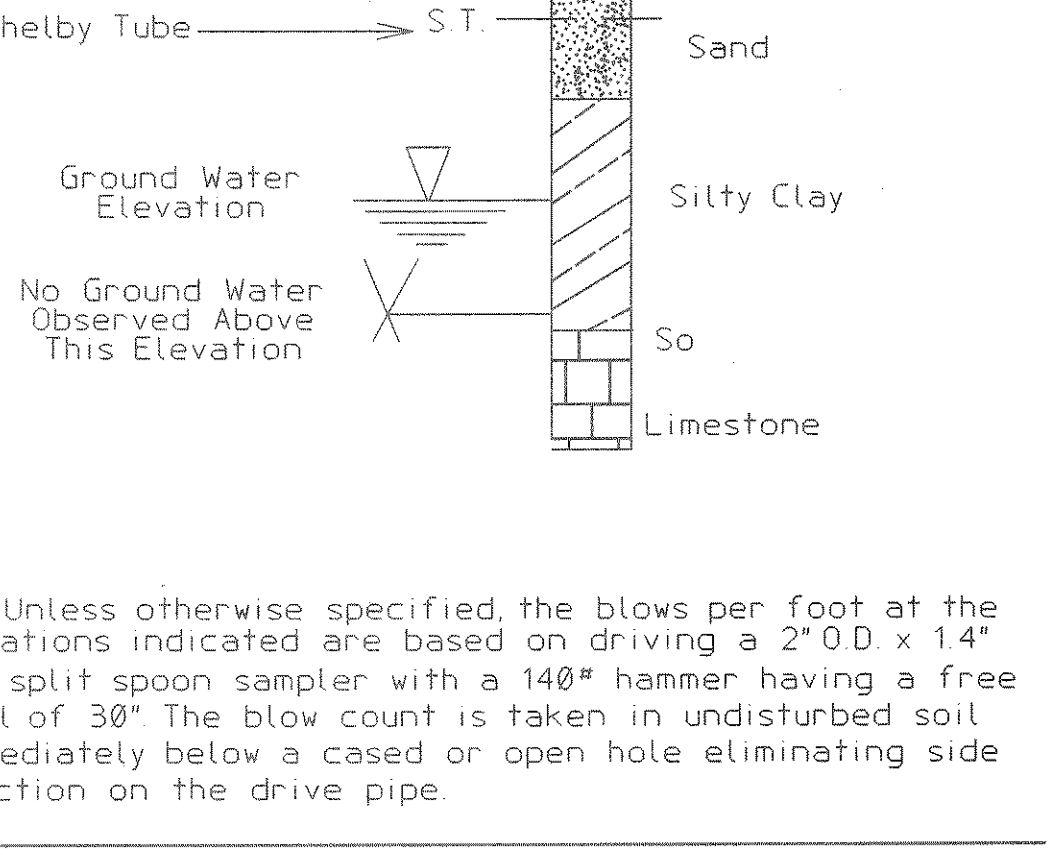
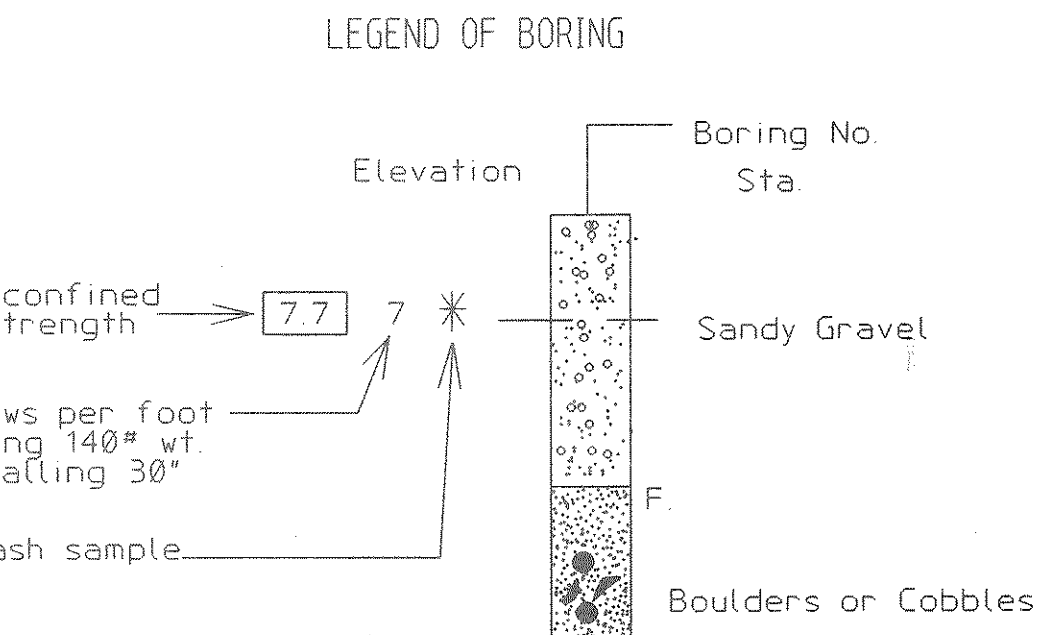


STATE PROJECT NUMBER	SHEET NO.
9857-05-70	

ABBREVIATIONS

F---FINE	M---MEDIUM	C---COARSE
Ws---WEATHERED	So---SOUND	

MATERIAL SYMBOLS



Unless otherwise specified, the blows per foot at the locations indicated are based on driving a 2" O.D. x 1.4" I.D. split spoon sampler with a 140# hammer having a free fall of 30". The blow count is taken in undisturbed soil immediately below a cased or open hole eliminating side friction on the drive pipe.

SUBSURFACE EXPLORATION FOR FOUNDATION DESIGN AND BIDDERS INFORMATION

To obtain relative data concerning the character of material in and upon which the foundation might be built, borings, and/or soundings were made at points approximately as indicated on this drawing. The data presented herein represents the findings of the subsurface explorations made. However, because the depths investigated are limited and the area of the borings, and/or soundings is very small in relation to the entire area, the Division of Highways does not warrant conditions below the depths investigated or that the classification of material encountered in these investigations is necessarily typical of the entire site.

NO.	DATE	REVISION	BY

STATE OF WISCONSIN
DEPARTMENT OF TRANSPORTATION

STRUCTURE B-35-129

CONST. SPEC.	1989	DRAWN BY	NJA	PLANS CK'D	CJB
--------------	------	----------	-----	------------	-----

SUBSURFACE EXPLORATION

SHEET 3 OF 7