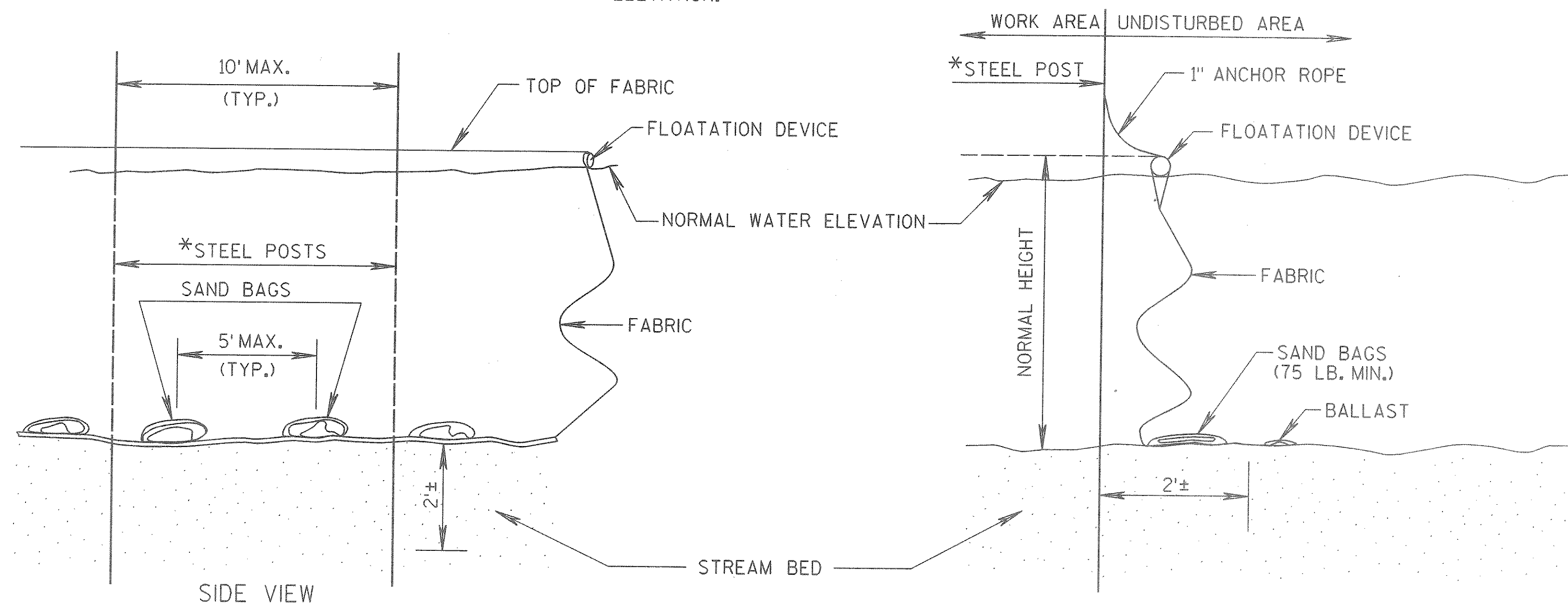
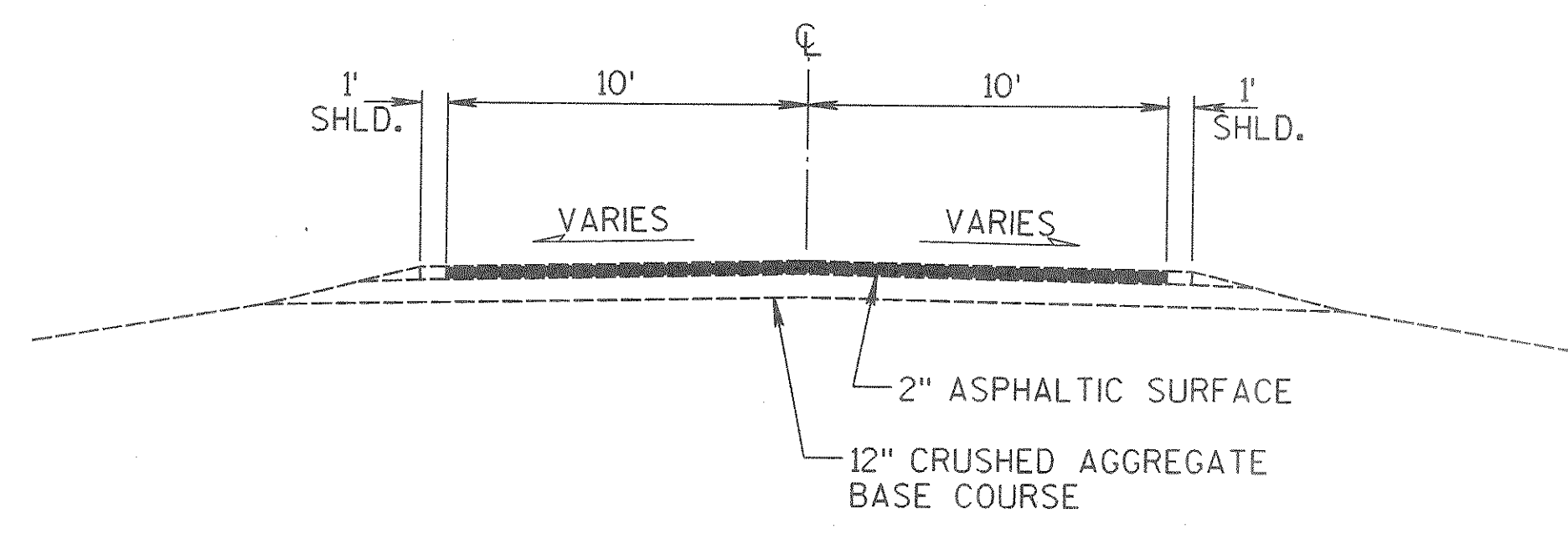


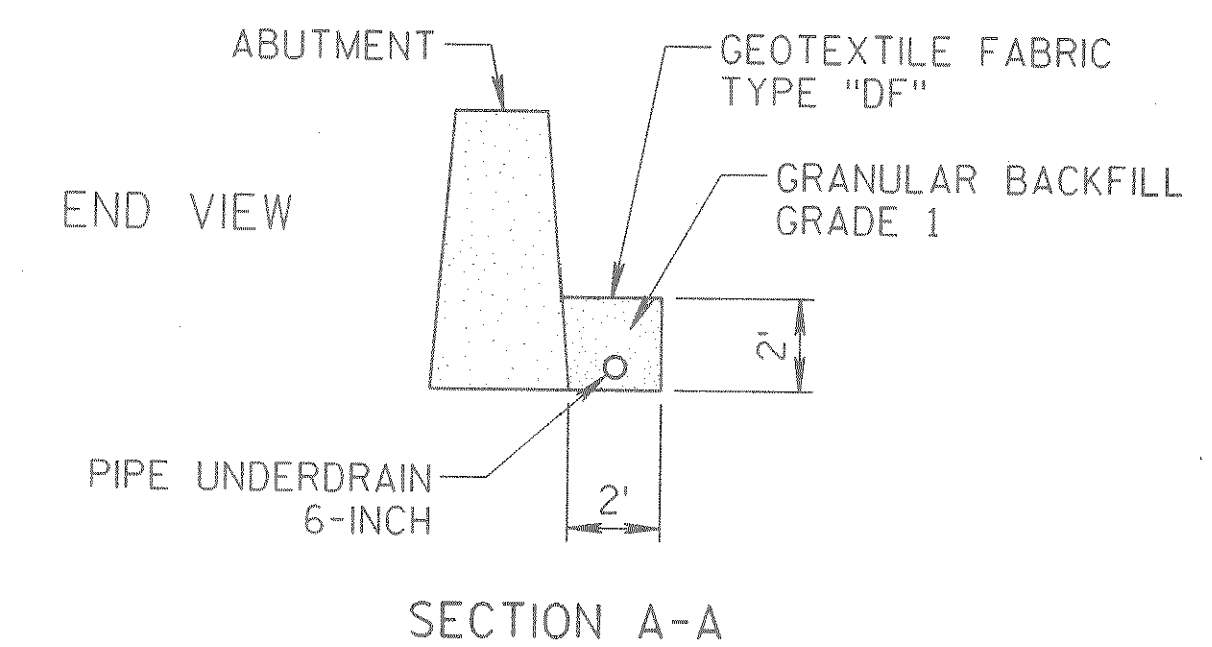
\*POST LENGTH SUFFICIENT TO SECURELY ANCHOR AND MAINTAIN BARRIER POSITION AT HIGH WATER ELEVATION.



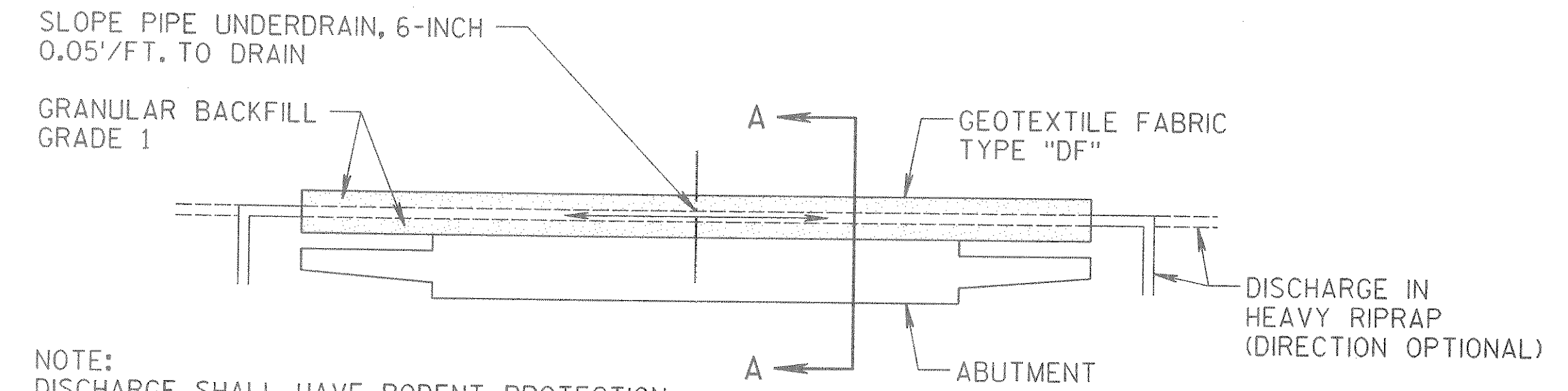
TURBIDITY BARRIER



EXISTING ROADWAY SECTION



SECTION A-A



DETAIL FOR PIPE UNDERDRAIN AT ABUTMENT