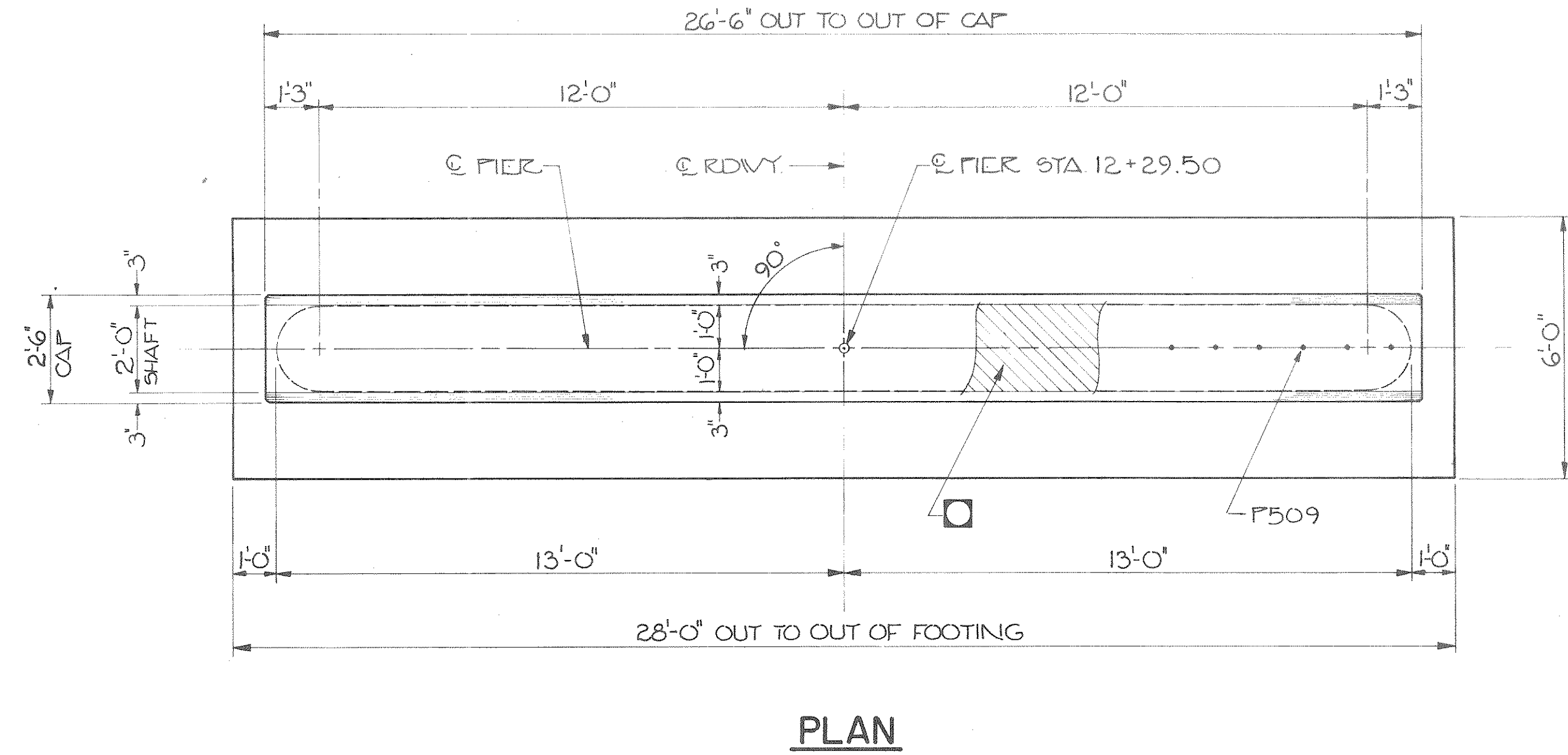
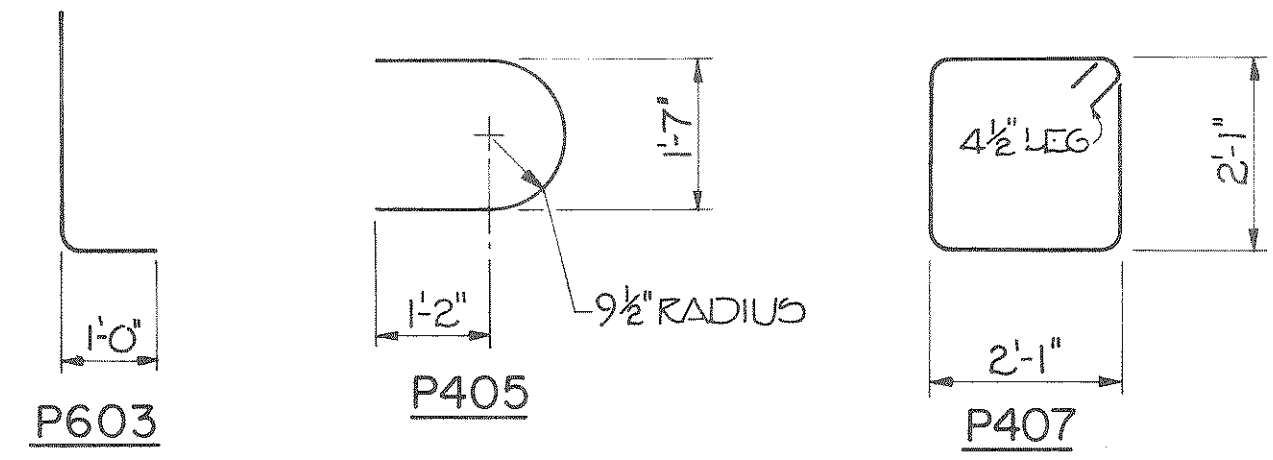


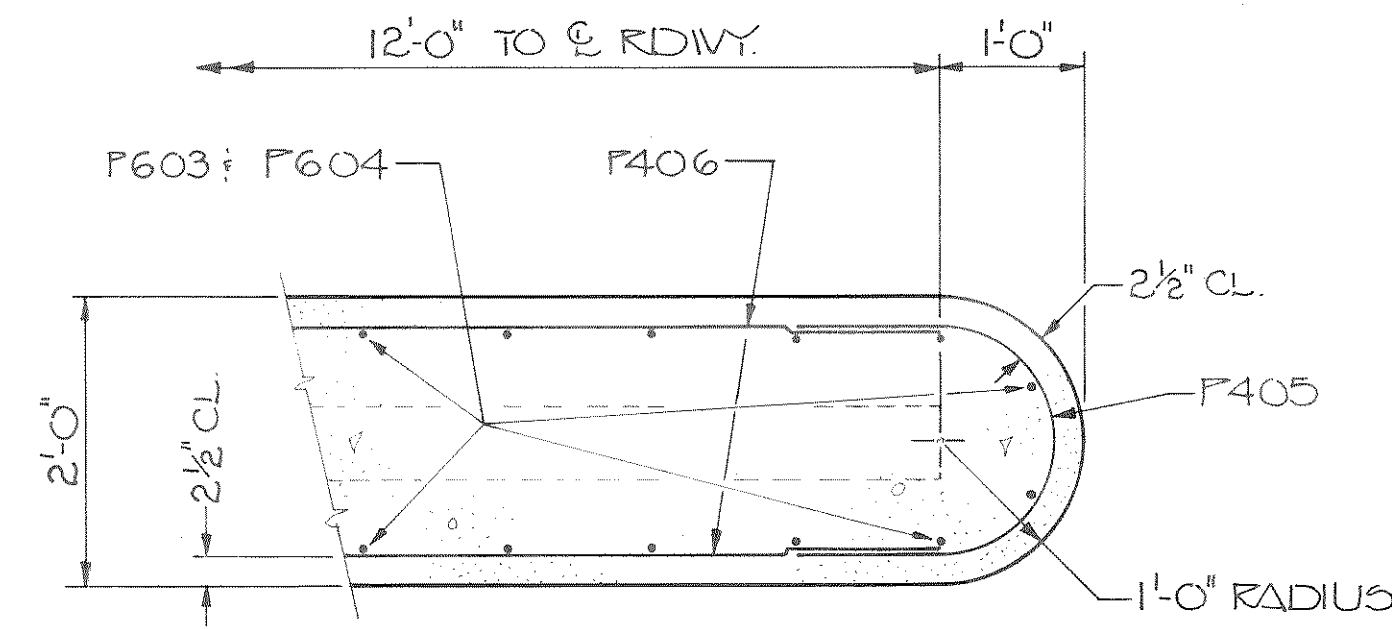
BILL OF BARS - PIER

MARK	NO.	LENGTH	BEND	EPOX.	LOCATION
F601	28	5'-6"			FOOTING - TRANSV.
F602	6	27'-6"			" - LONGIT.
F603	54	4'-9"	X		" - DOVELS
F604	54	11'-2"			SHAFT. - VERT.
F405	20	4'-10"	X		" - HORIZ. @ ENDS
F406	20	24'-0"			" - "
F407	27	8'-10"	X		CAP - VERT. STIRRUPS
F508	6	26'-1"			" - HORIZ. LONGIT.
F509	26	2'-0"			" - VERT. DOVELS

THE FIRST DIGIT OF THE BAR MARK SIGNIFIES THE BAR SIZE. DIMENSIONS IN THE BENDING DETAILS ARE OUT TO OUT OF BAR.



- 1/2" FILLER x 2'-0" WIDE x WIDTH OF SLAB (26'-0")
- CONSTRUCTION JOINT-KEYWAY FORMED BY A SURFACED, BEVELED 2x6.
- ⊃ F509 BARS MAY BE PLACED AFTER CONC. IS POURED BUT BEFORE INITIAL SET HAS TAKEN PLACE.



No.	Date	Revision	By
STATE OF WISCONSIN DEPARTMENT OF TRANSPORTATION DIVISION OF HIGHWAYS			
STRUCTURE B-35-89			
Const. Spec.	WIS. '81	Drawn By	ORL.
		Plans Checked	L.M.B.
PIER			SHEET 4 OF 6 X 77534