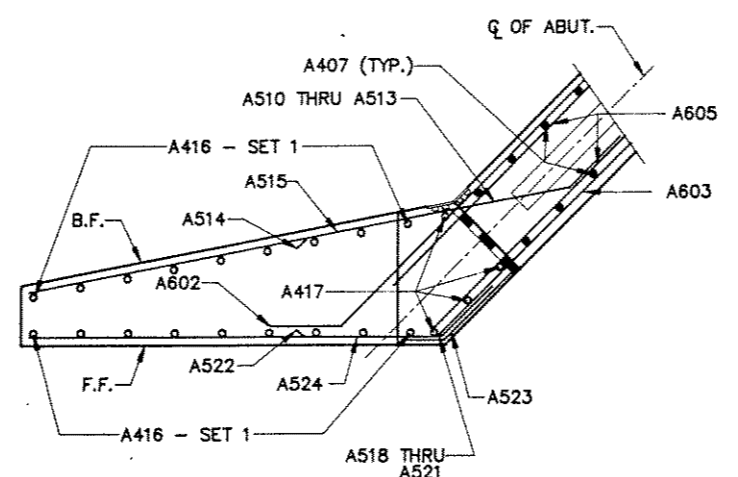
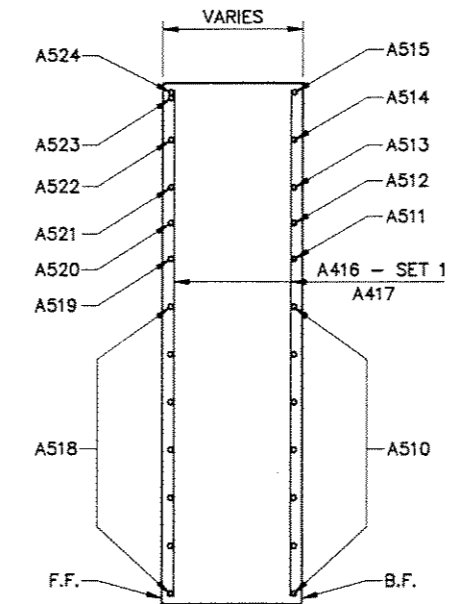


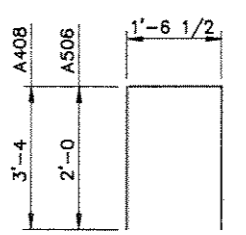
ELEVATION



PLAN

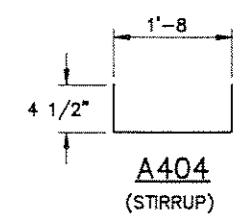


SECTION A-A THRU WINGS

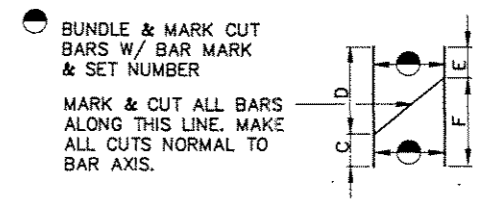


A506, A408

MARK	A	B
A602 THRU A521	1'-6	45°
A510 THRU A513	1'-6	34°
A515	1'-1	24°
A522	2'-0	45°
A523	1'-0	45°
A524	1'-0	25°



A404 (STIRRUP)



CUTTING DIAGRAM

MARK	C	D	E	F	NO. OF BARS/SET	SETS REQ'D
A416 SET 1	7'-0	10'-7	7'-0	10'-7	9	8

BILL OF BARS (2 ABUTMENTS) 5620 LBS.

MARK	NO. REQ'D	LENGTH	BENT	CUT. DIAGR.	LOCATION
A601	20	10-11			BODY -- B.F. -- HORIZ. CENTER
A602	40	16-8	X		& WING -- -- --
A603	20	32-4			-- F.F. -- --
A404	96	2-3	X		-- TIES -- --
A605	4	32-4			-- TOP -- --
A506	56	5-4	X		-- BOTTOM -- VERT.
A407	112	8-8			-- F.F. & B.F. -- --
A408	56	8-1	X		-- TIES TOP -- --
A509	56	2-0			-- DOWELS -- --
A510	28	13-6	X		WINGS -- ALL -- B.F. -- HORIZ.
A511	4	13-3	X		-- -- --
A512	4	11-7	X		-- -- --
A513	4	9-11	X		-- -- --
A514	4	3-4			-- -- --
A515	4	9-10	X		-- -- -- TOP
A416	36	17-7		X	-- F.F. & -- -- VERT.
A417	16	10-7			-- -- --
A518	28	10-3	X		-- HORIZ. -- --
A519	4	10-0	X		-- -- --
A520	4	8-4	X		-- -- --
A521	4	6-9	X		-- -- --
A522	4	5-1	X		-- -- --
A523	4	3-0	X		-- -- -- TOP
A524	4	9-7	X		-- -- --

DIMENSIONS IN BENDING DETAILS ARE OUT TO OUT OF BAR.

No.	Date	Revision	By

STATE OF WISCONSIN
DEPARTMENT OF TRANSPORTATION
DIVISION OF HIGHWAYS

STRUCTURE B-35-109

Const. Spec. WI "89" Drawn RLR Plans Checked PAC

ABUTMENT DETAILS SHEET 5 OF 7
X82781