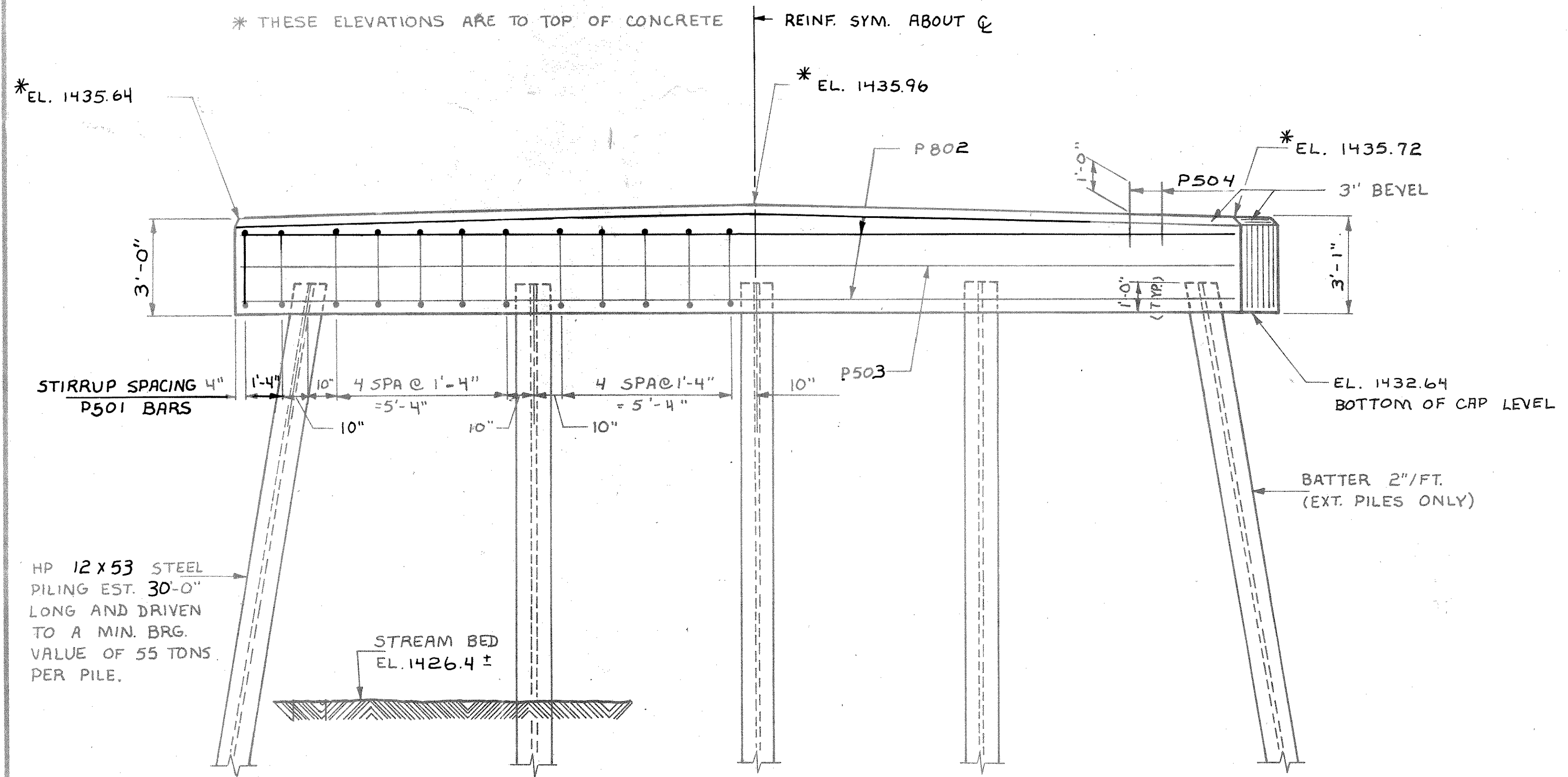


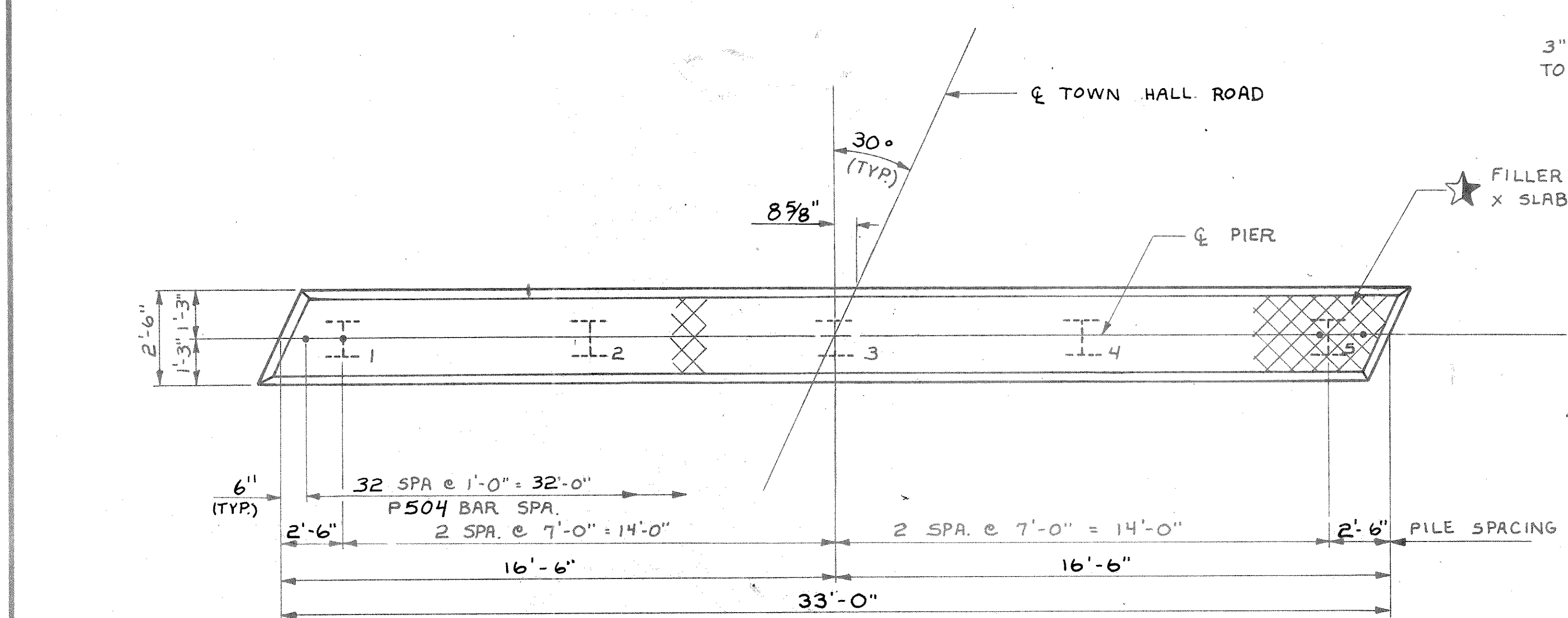
BILL OF BARS

MARK	NO. REQ'D	LENGTH	BENT	LOCATION	TOTAL WT. 1,000 LBS.
P501	24	10'-2"	X	CAP - STIRRUPS	
P802	8	32'-8"		" - HORIZ. - TOP & BOTTOM	
P503	2	32'-8"		" - "	
P504	33	2'-0"		" - VERT. - DOWELS	

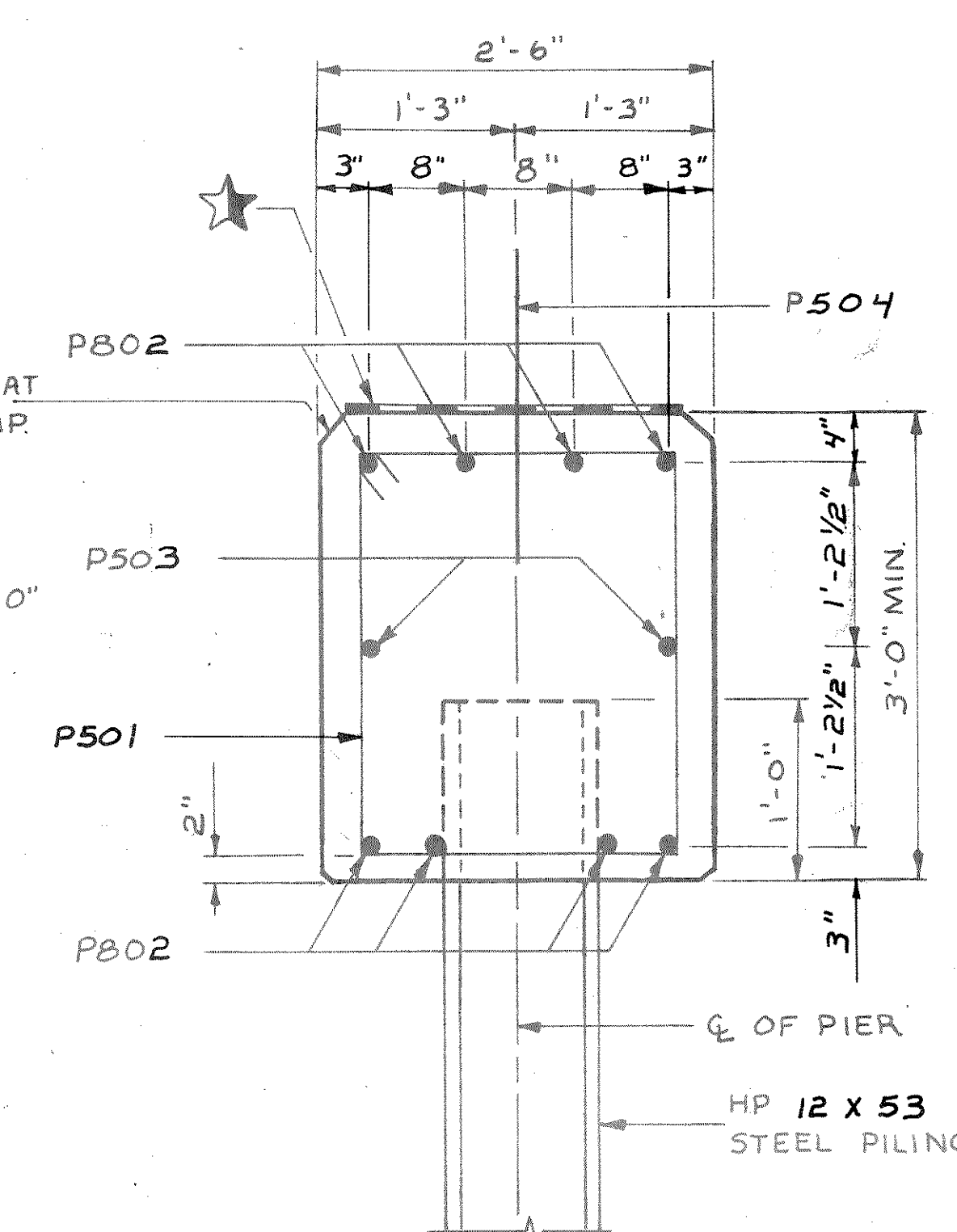
NOTES:
 DIMENSIONS IN BENDING DETAILS ARE OUT TO OUT OF BAR.
 FOR PILE SPLICE DETAIL, SEE SHEET 6.
 P504 BARS MAY BE PLACED AFTER CONCRETE IS POURED,
 BUT BEFORE THE INITIAL SET HAS TAKEN PLACE.



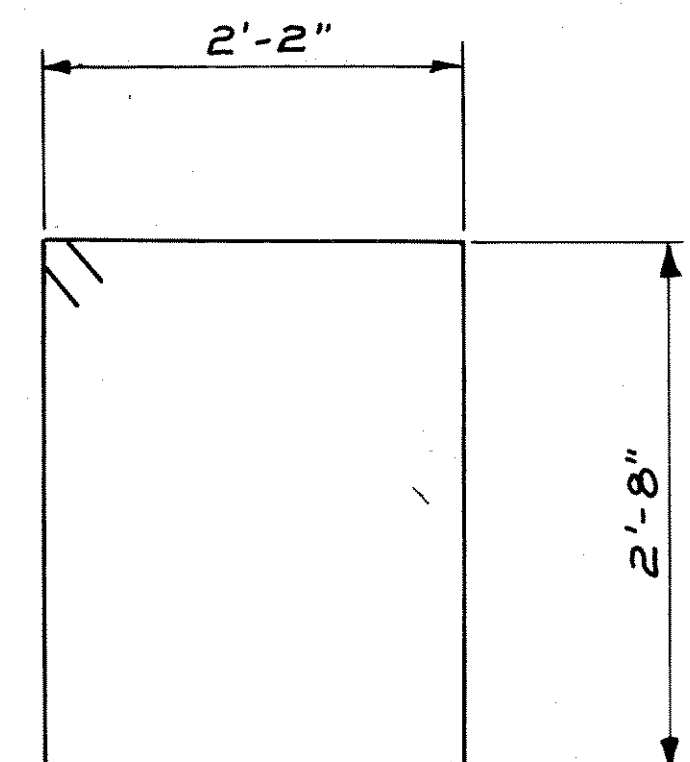
ELEVATION
(LOOKING NORTH)



PLAN



SECTION THRU PIER CAP



P501

No.	Date	Revision	By
STATE OF WISCONSIN DEPARTMENT OF TRANSPORTATION			
STRUCTURE B-35-83			
Const. Spec.	WIS. 1975	Drawn By	L.A.E.
		Plans Checked	J.A.R.
PIER			SHEET 7 OF 10
			X 64837