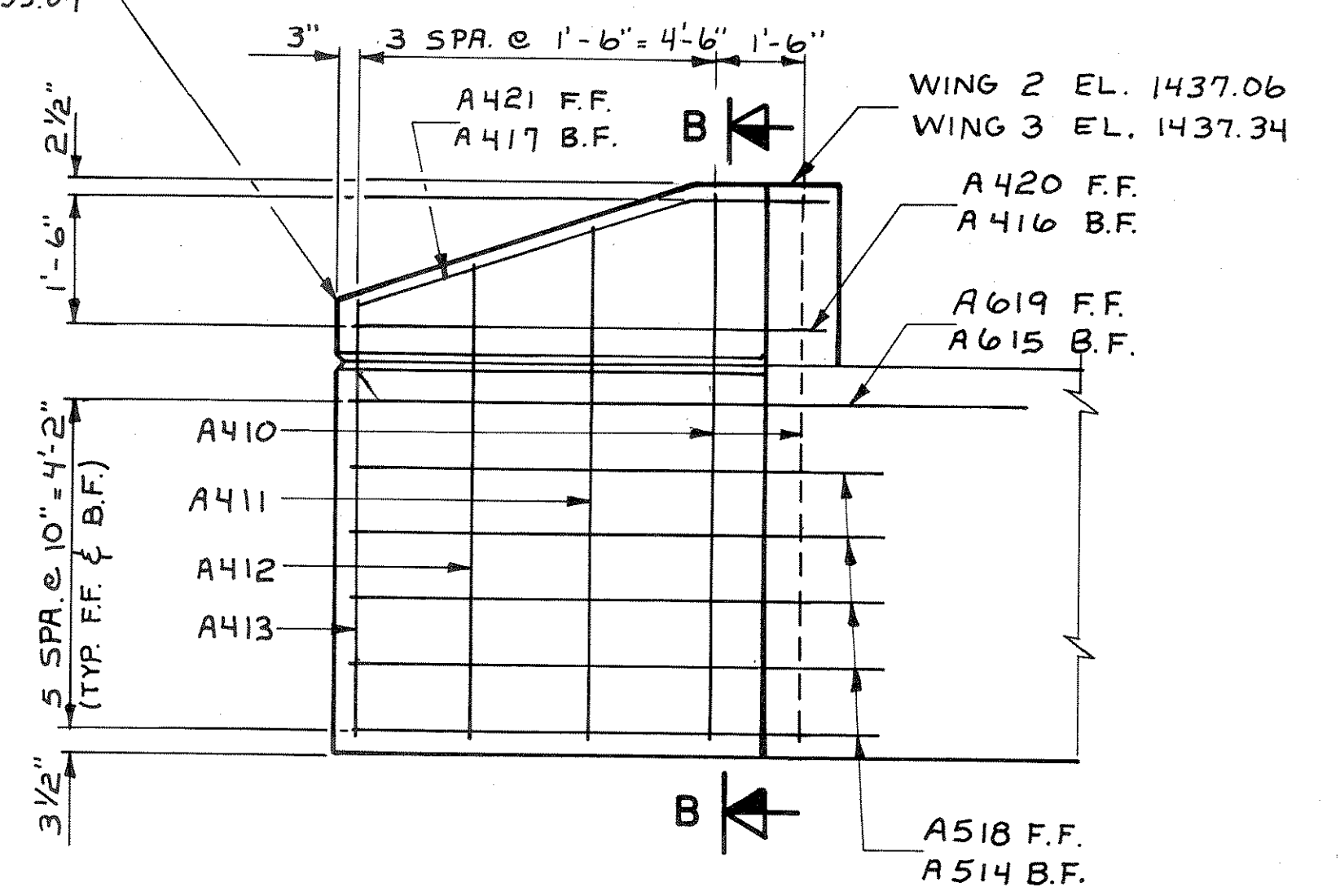
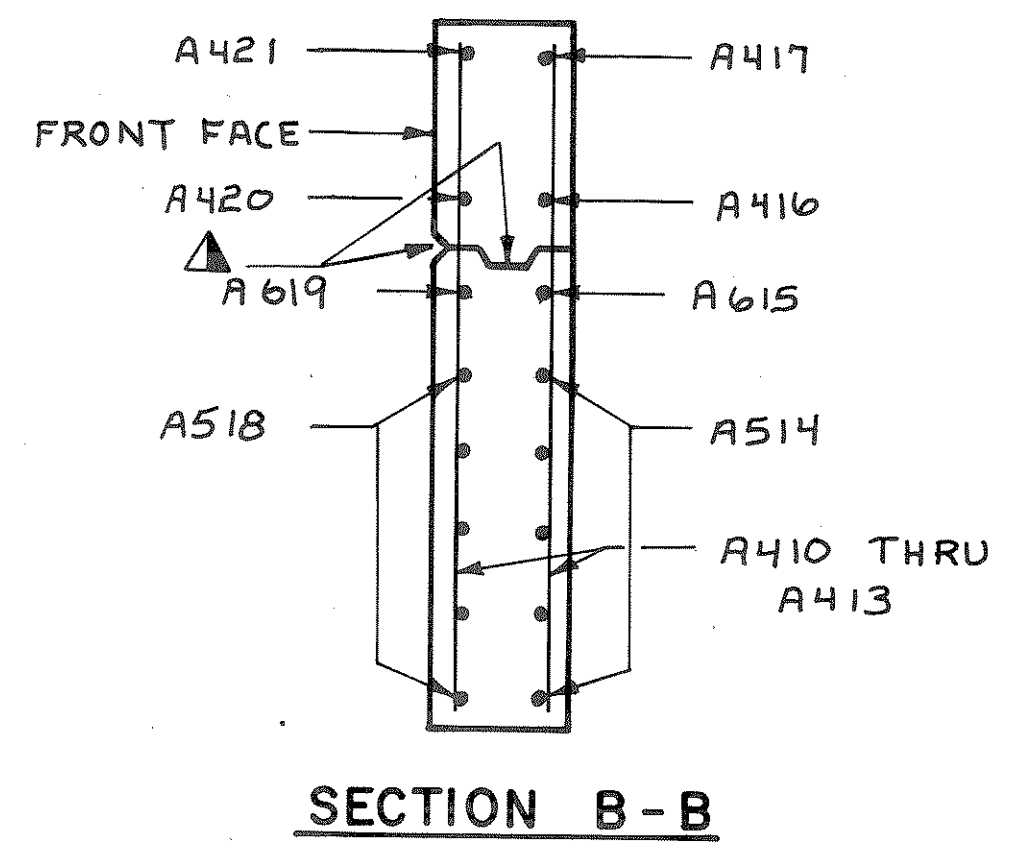
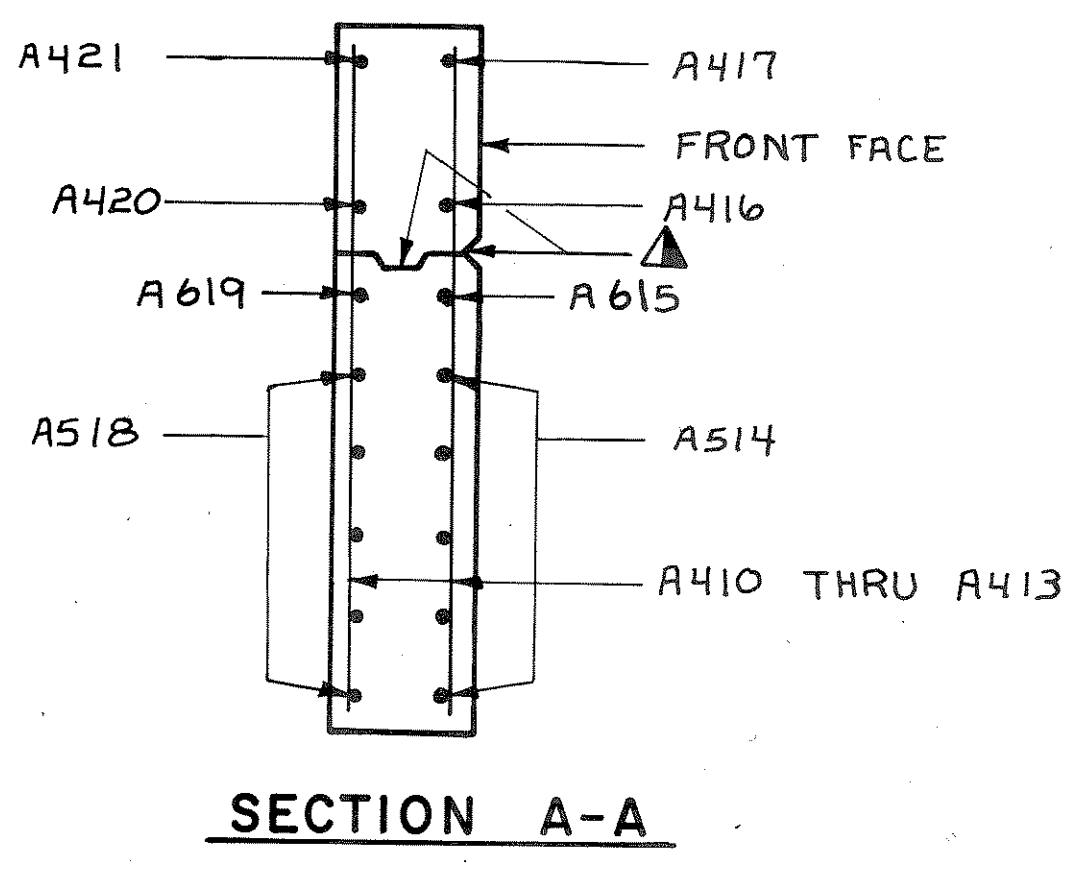
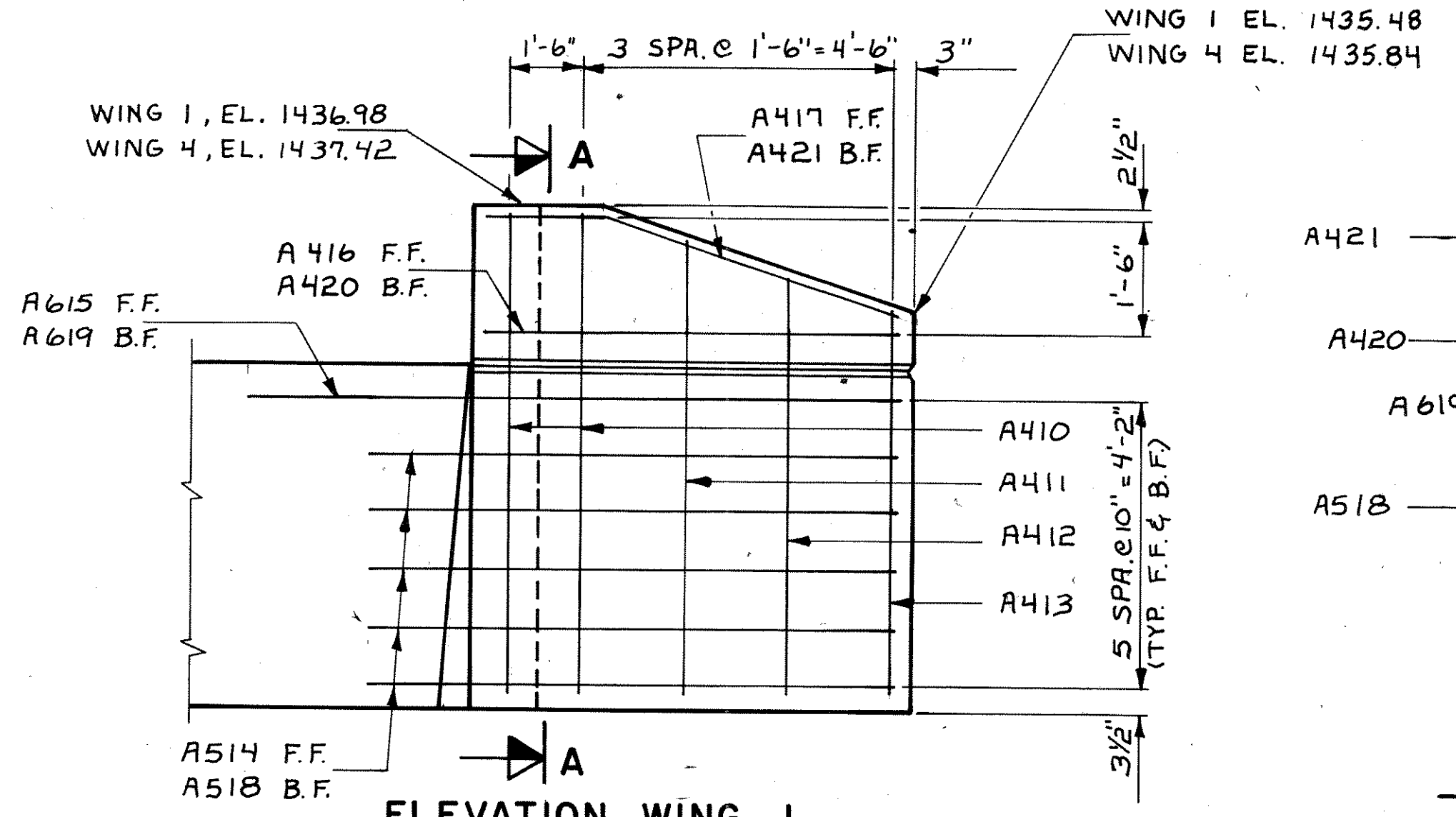
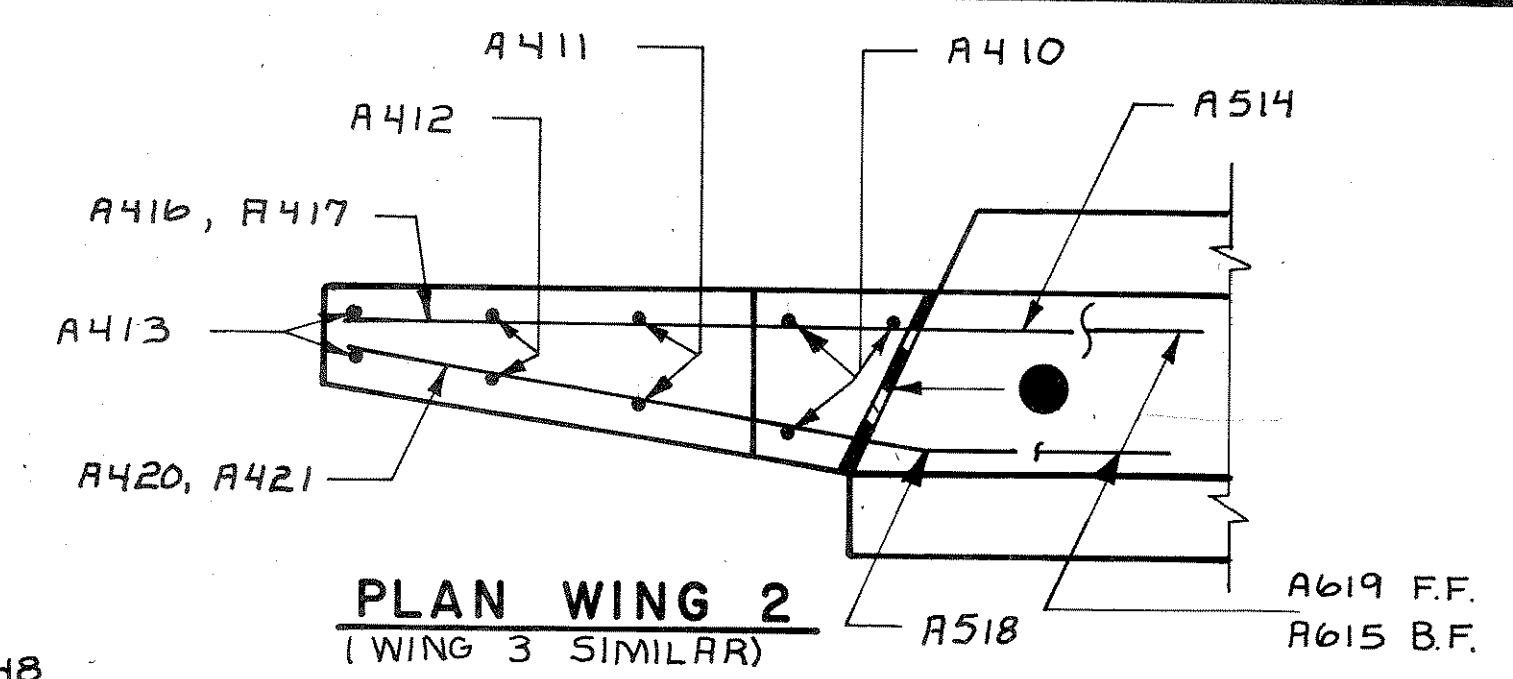
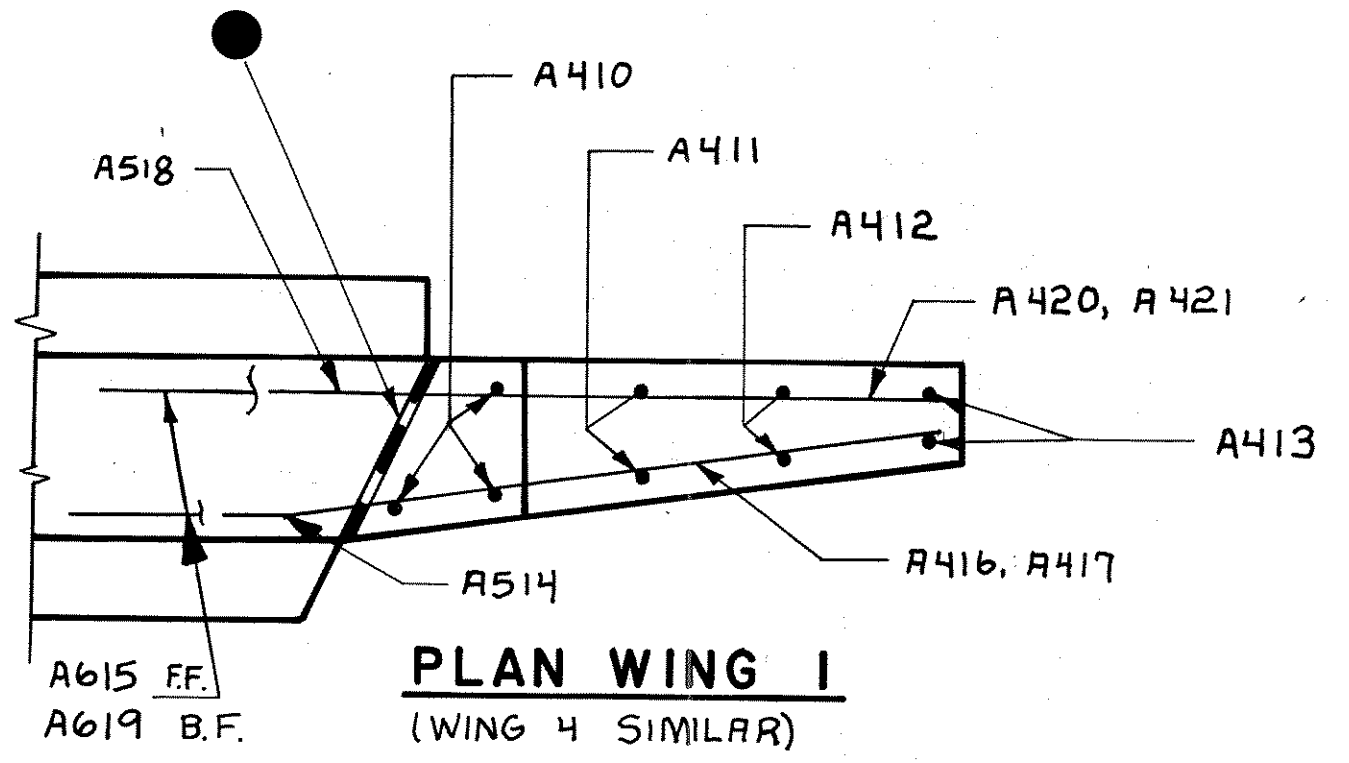


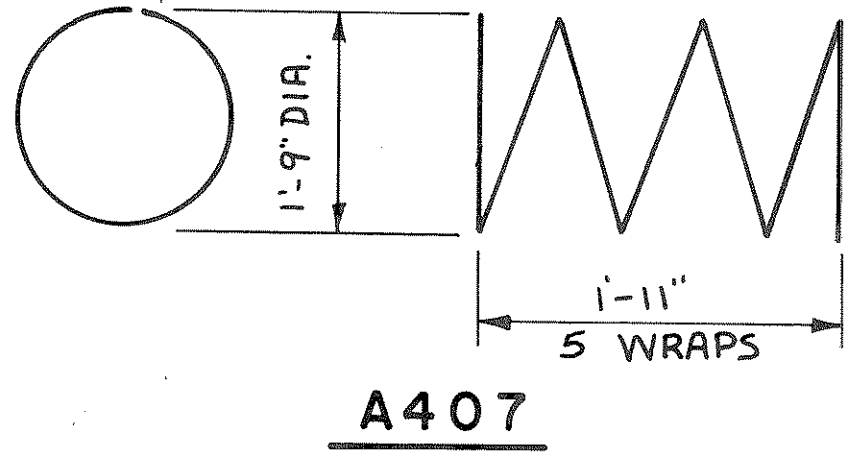
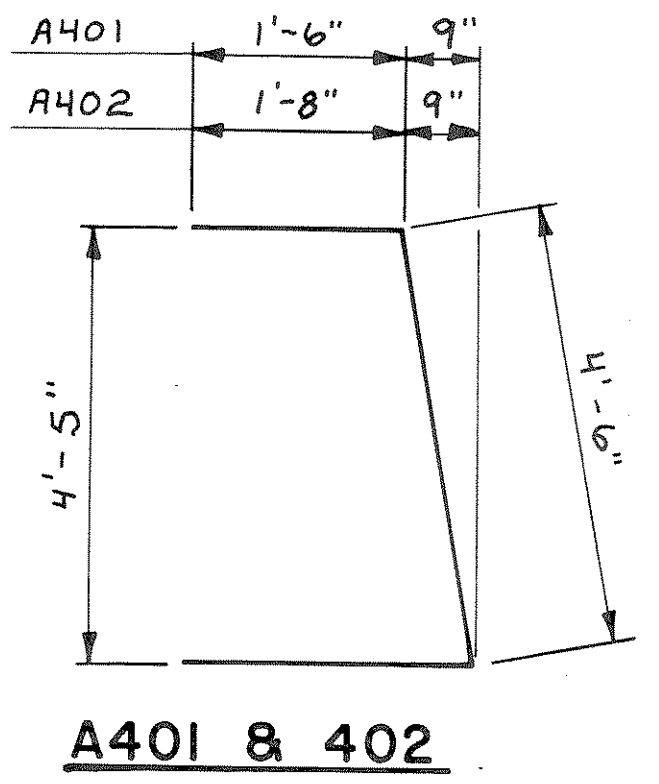
▲ OPTIONAL KEYED CONSTRUCTION JOINT AND 3/4" V-GROOVE JOINT FORMED BY A SURFACED, BEVELED 2" X 6". V-GROOVE SHALL BE ON FRONT FACE OF WINGWALL ONLY. OMIT V-GROOVE IF JOINT IS NOT USED.
● FOR SYMBOL DESIGNATION SEE SHEET 4.



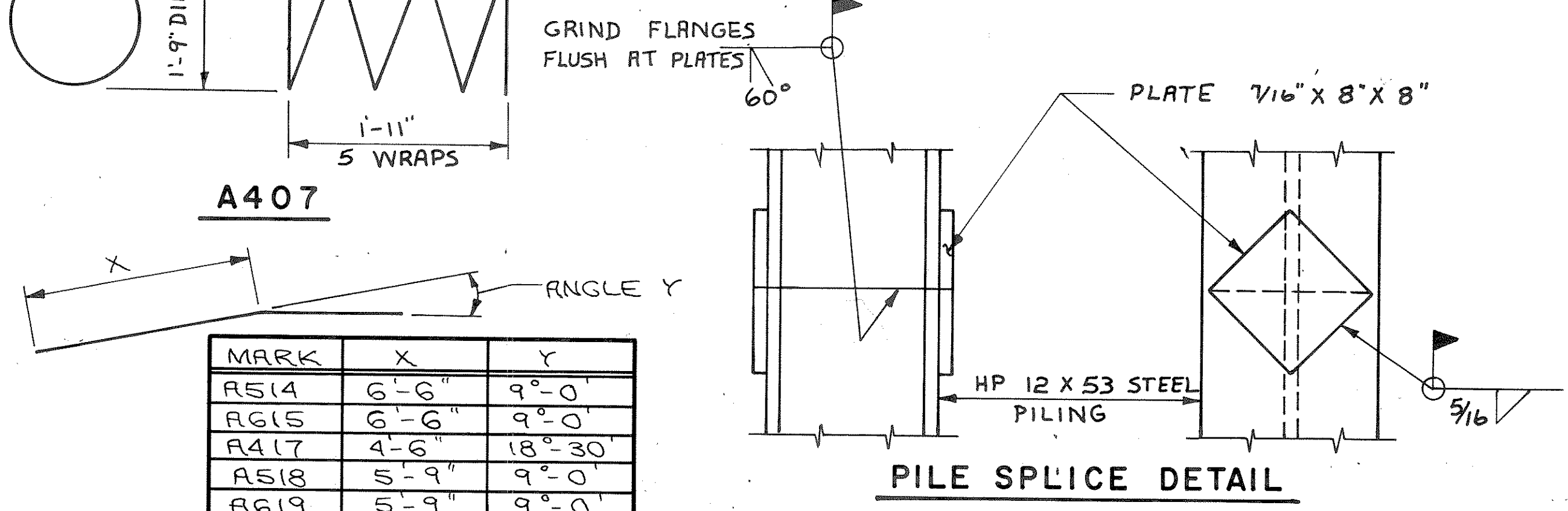
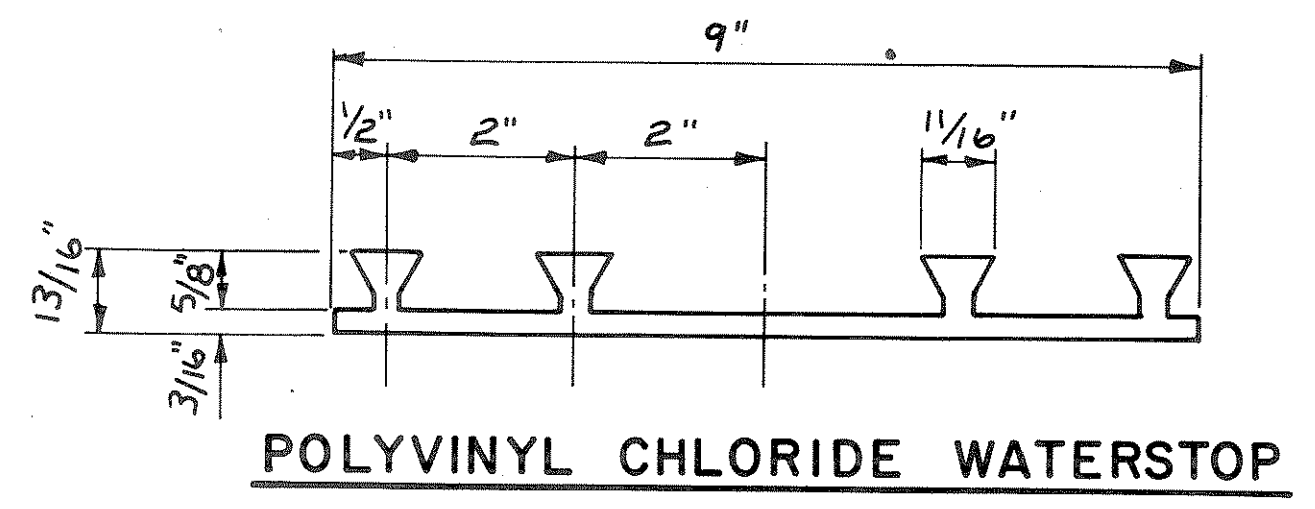
BILL OF BARS

BOTH ABUTMENTS ARE INCLUDED IN THIS BILL. DIMENSIONS IN BENDING DETAILS ARE OUT TO OUT OF BAR.

MARK	NO. REQ'D	LENGTH	BENT	LOCATION	TOTAL WT. 2470 LBS.
A401	88	8'-1"	X	BODY - F.F. & B.F. - VERT.	
A402	4	8'-5"	X	" " " " " @ EXT. PILES	
A603	8	32'-0"		" " " " - HORIZ.	
A604	4	31'-5"		" " " " - " "	
A405	6	32'-0"		" " " " - HORIZ.	
A506	10	32'-0"		" - B.F. - " "	
A407	10	28'-0"	X	" - 1 PER PILE - 5 SPIRAL WRAPS	
A408	20	2'-3"		" - 2 " " - VERT	
A409	64	2'-0"		" - DOWELS - VERT.	
A410	12	6'-11"		WINGS - F.F. & B.F. - VERT.	
A411	8	6'-7"		" " " " " "	
A412	8	6'-2"		" " " " " "	
A413	8	5'-11"		" " " " " "	
A514	20	7'-9"	X	" - 1 & 4 - F.F. - HORIZ.; WINGS 2 & 3 - B.F. - HORIZ.	
A615	4	9'-5"	X	" " " " " " ; " " " " " "	
A416	4	5'-10"		" " " " " " ; " " " " " "	
A417	4	5'-10"	X	" " " " " " ; " " " " " "	
A518	20	7'-0"	X	" - " - B.F. - " " ; " " " " - F.F. - " "	
A619	4	8'-8"	X	" " " " " " ; " " " " " "	
A420	4	5'-3"		" " " " " " ; " " " " " "	
A421	4	5'-3"	X	" " " " " " ; " " " " " "	



MARK	X	Y
A514	6'-6"	9°-0'
A615	6'-6"	9°-0'
A417	4'-6"	18°-30'
A518	5'-9"	9°-0'
A619	5'-9"	9°-0'
A421	4'-6"	18°-30'



No.	Date	Revision	By
STATE OF WISCONSIN DEPARTMENT OF TRANSPORTATION			
STRUCTURE B-35-83			
Const. Spec. WIS. 1975	Drawn By L.A.E.	Plans Checked J.A.R.	
WING DETAILS			SHEET 6 OF 10
			X 64836