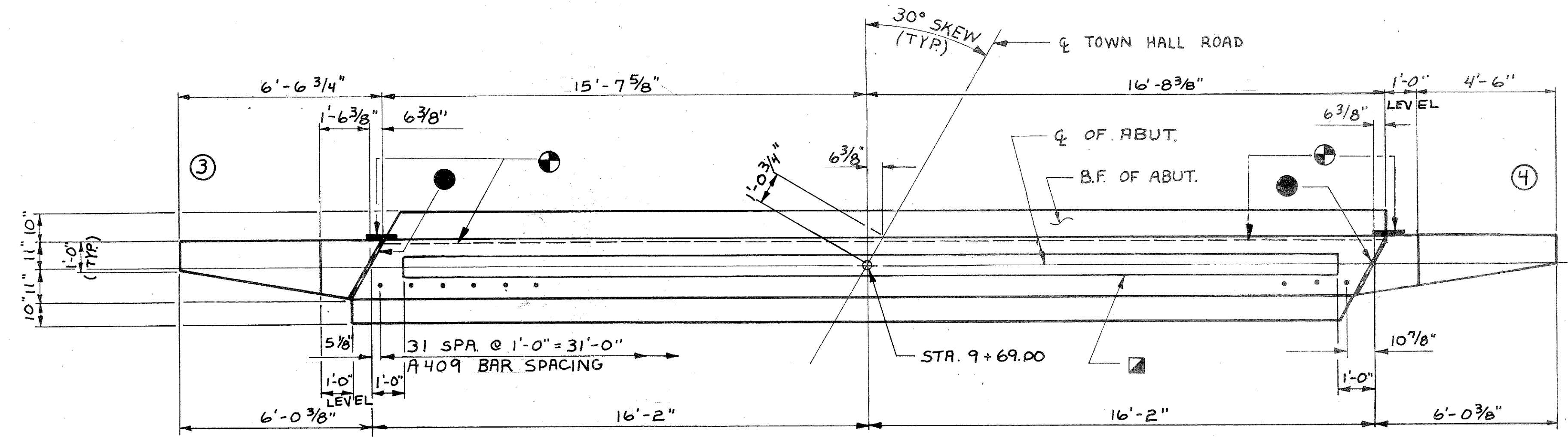
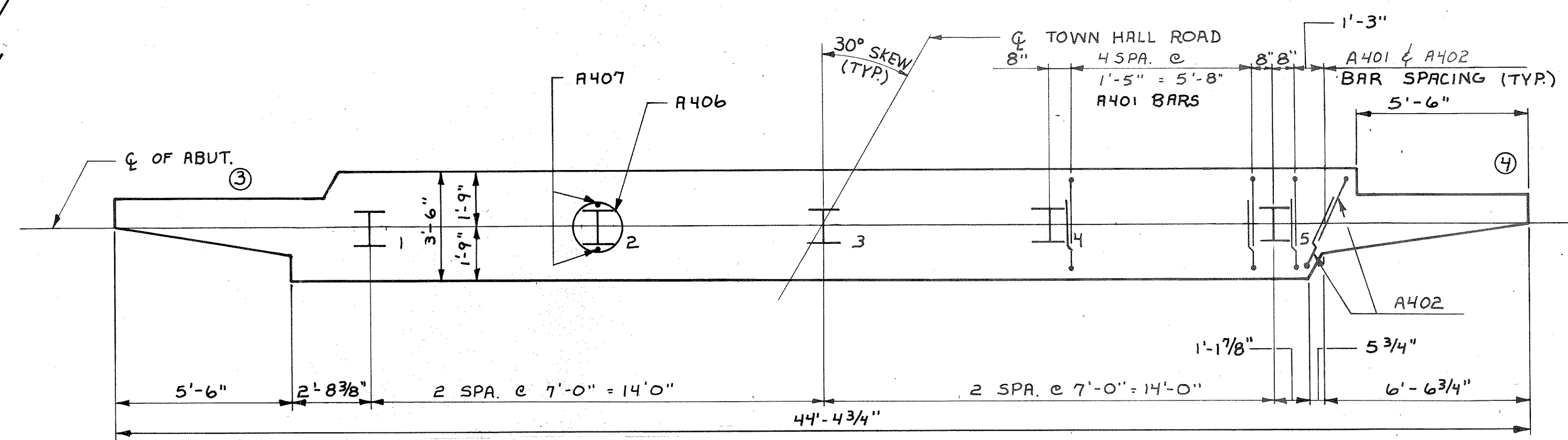


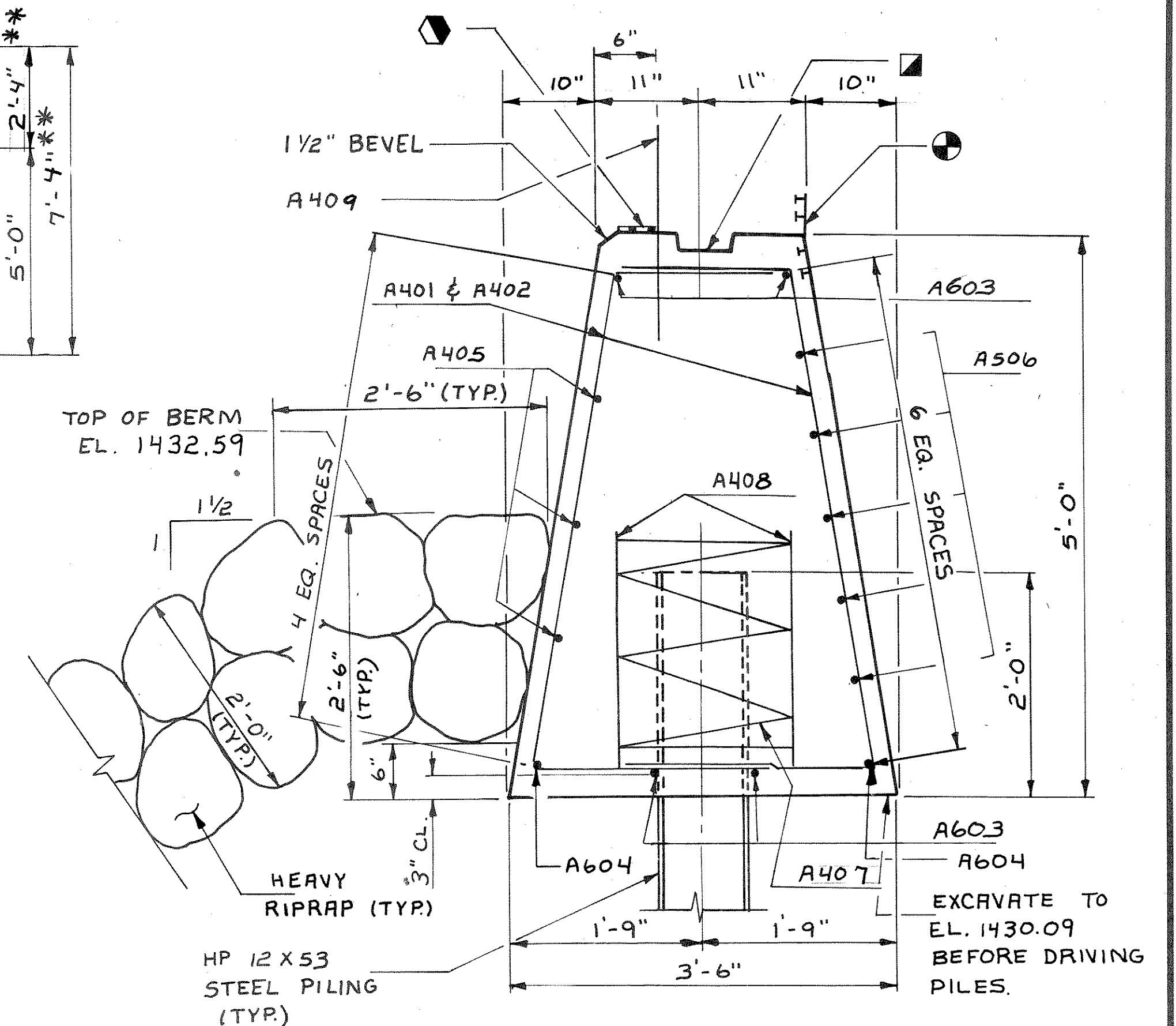
ELEVATION
(LOOKING NORTH)



PLAN



PILE PLAN



SECTION THRU BODY

NOTES

- ▲ FOR SYMBOL DESIGNATION SEE SHEET 6 .
- 1/2" FILLER - TO EXTEND AS SHOWN. SEAL ALL EXPOSED HORIZONTAL AND VERTICAL SURFACES OF FILLER WITH NON-STAINING GRAY NON-BITUMINOUS JOINT SEALER. (1" DEEP AND HOLD 1/8" BELOW SURFACE OF CONCRETE.)
- ⊕ POLYVINYL CHLORIDE WATERSTOP (P.C.W.) - TO EXTEND HORIZONTAL BETWEEN WINGS AND VERTICAL FROM TOP OF ABUTMENT BODY TO TOP OF WING. VULCANIZE OR EPOXY AT JUNCTIONS OF HORIZONTAL & VERTICAL P.C.W.'S. (HOLD FLUSH WITH FACE OF CONCRETE.) FOR DETAIL SEE SHEET 6 .
- ▣ KEYED CONSTRUCTION JOINT FORMED BY A SURFACED BEVELED 2"x6".
- ** DIMENSIONS ARE GIVEN AT ABUTMENT BODY. SEE SHEET 6 FOR TOP OF WING ELEVATIONS.
- ▽ 3/4" X 3" WIDE FILLER - TO EXTEND BETWEEN EDGES OF SLAB.
- PILE NOTE: HP 12X53 STEEL PILING DRIVEN TO A MINIMUM BEARING VALUE OF 55 TONS PER PILE. ESTIMATED LENGTH OF 30'-0" . SEE SHEET 6 FOR PILE SPICE DETAILS.
- NOTE: A409 BARS MAY BE PLACED AFTER CONCRETE IS POURED, BUT BEFORE THE INITIAL SET HAS TAKEN PLACE.

No.	Date	Revision	By
STATE OF WISCONSIN DEPARTMENT OF TRANSPORTATION			
STRUCTURE B-35-83			
Const. Spec.	WIS. 1975	Drawn By	L.A.E.
		Plans Checked	J.A.R.
NORTH ABUTMENT			SHEET 5 OF 10
X 64835			