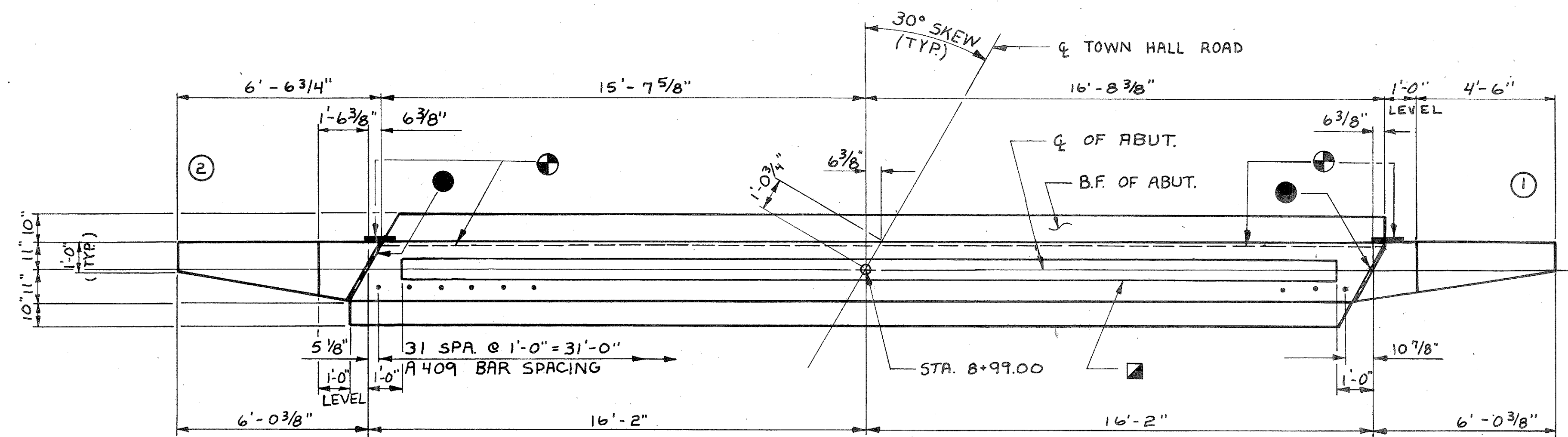
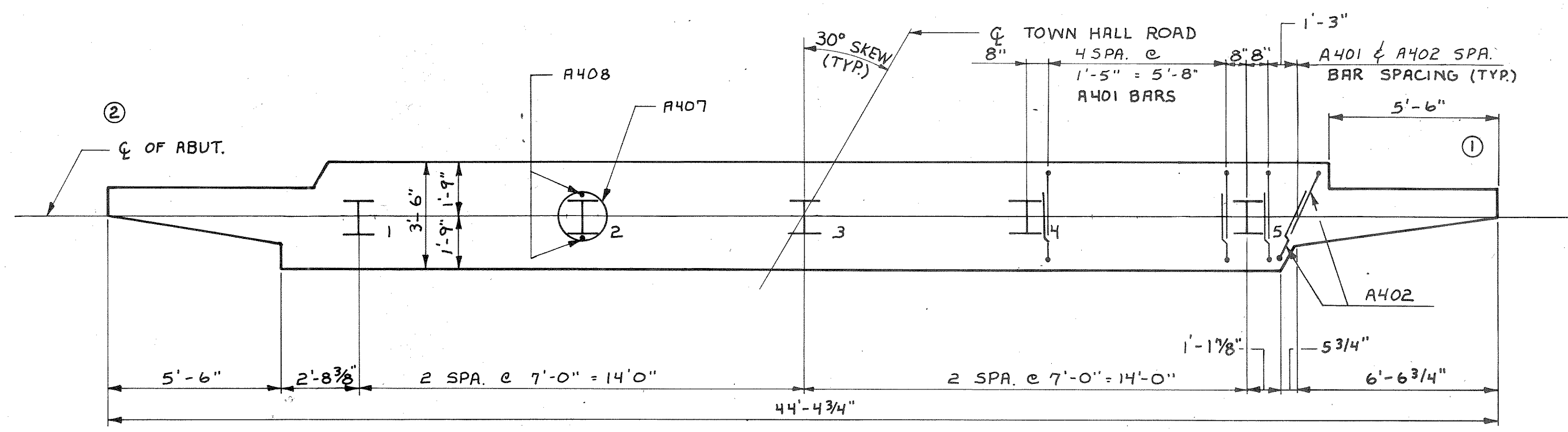


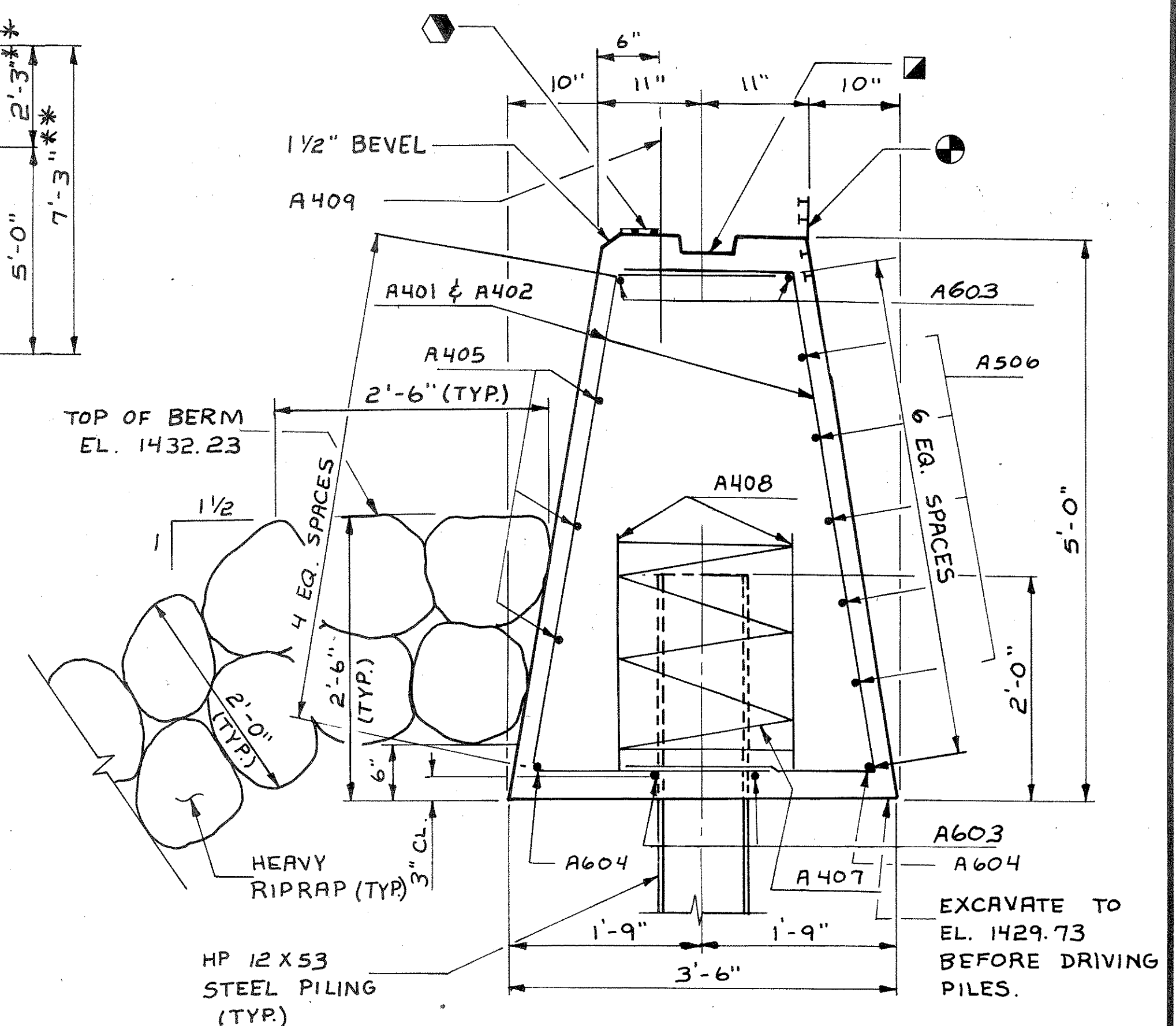
ELEVATION
(LOOKING SOUTH)



PLAN



PILE PLAN



SECTION THRU BODY

NOTES

- ▲ FOR SYMBOL DESIGNATION SEE SHEET 6
 - 1/2" FILLER - TO EXTEND AS SHOWN. SEAL ALL EXPOSED HORIZONTAL AND VERTICAL SURFACES OF FILLER WITH NON-STAINING GRAY NON-BITUMINOUS JOINT SEALER. (1" DEEP AND HOLD 1/8" BELOW SURFACE OF CONCRETE.)
 - ⊕ POLYVINYL CHLORIDE WATERSTOP (P.C.W.) - TO EXTEND HORIZONTAL BETWEEN WINGS AND VERTICAL FROM TOP OF ABUTMENT BODY TO TOP OF WING. VULCANIZE OR EPOXY AT JUNCTIONS OF HORIZONTAL & VERTICAL P.C.W.'S. (HOLD FLUSH WITH FACE OF CONCRETE.) FOR DETAIL SEE SHEET 6.
 - ▣ KEYED CONSTRUCTION JOINT FORMED BY A SURFACED BEVELED 2" X 6".
 - ** DIMENSIONS ARE GIVEN AT ABUTMENT BODY. SEE SHEET 6 FOR TOP OF WING ELEVATIONS.
 - ◊ 3/4" X 3" WIDE FILLER - TO EXTEND BETWEEN EDGES OF SLAB.
- PILE NOTE: HP 12X53 STEEL PILING DRIVEN TO A MINIMUM BEARING VALUE OF 55 TONS PER PILE. ESTIMATED LENGTH OF 30'-0" SEE SHEET 6 FOR PILE SPICE DETAILS.
- NOTE: A409 BARS MAY BE PLACED AFTER CONCRETE IS POURED, BUT BEFORE THE INITIAL SET HAS TAKEN PLACE.

| No. | Date | Revision | By |
|--|-----------|---------------|---------------|
| STATE OF WISCONSIN DEPARTMENT OF TRANSPORTATION | | | |
| STRUCTURE B-35-83 | | | |
| Const. Spec. | WIS. 1975 | Drawn By | L.A.E. |
| | | Plans Checked | J.A.R. |
| SOUTH ABUTMENT | | | SHEET 4 OF 10 |
| X 64834 | | | |