

CAMBER DIAGRAM

NOTE: ALL SLAB THICKNESS DIMENSIONS ARE MINIMUM, ANY TOLERANCES NECESSARY TO CORRECT CONSTRUCTION DISCREPANCIES ARE TO BE PLUS (+).

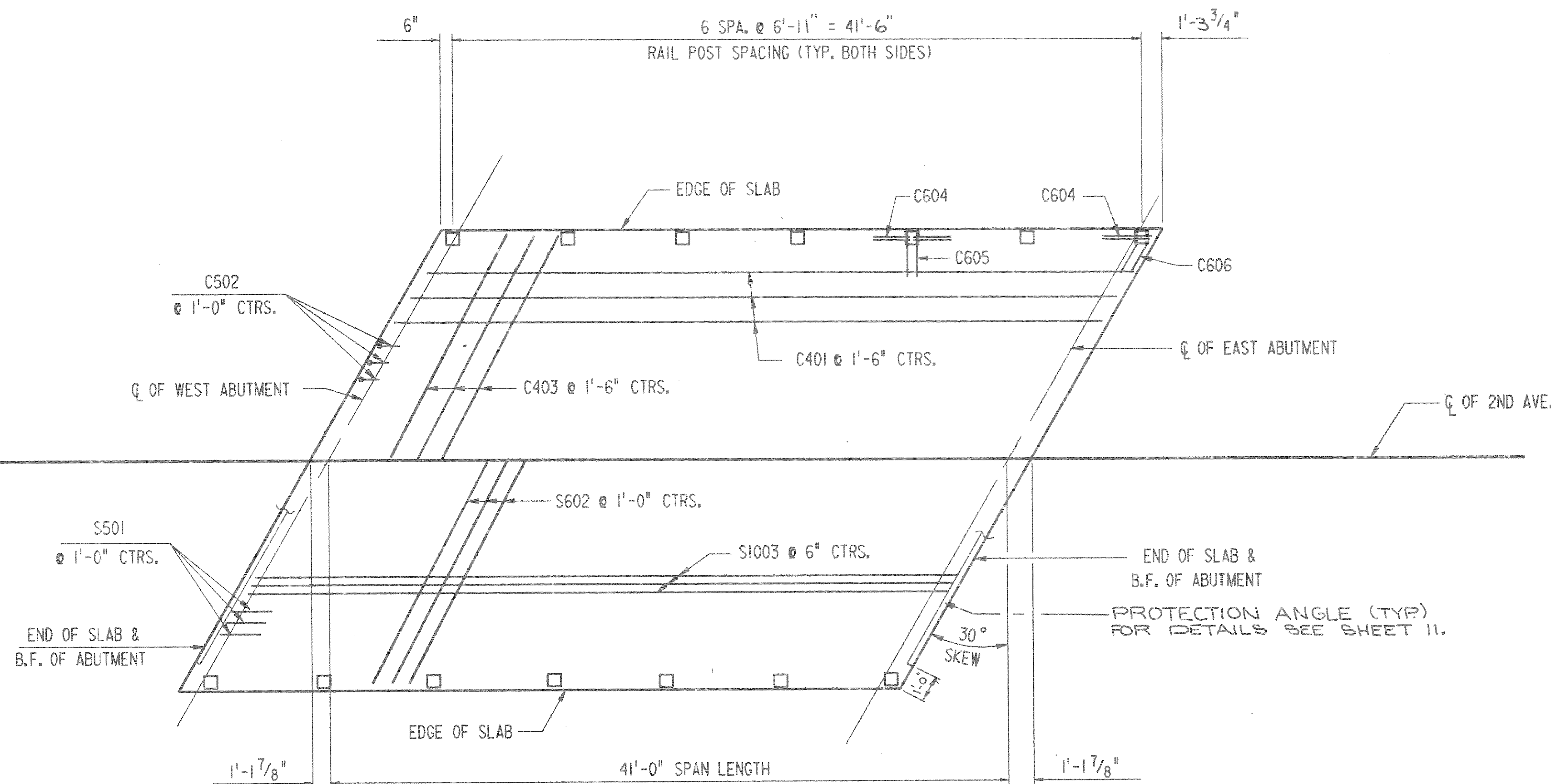
CAMBER SPANS AS SHOWN TO PROVIDE FOR DEADLOAD DEFLECTION AND FUTURE PLASTIC FLOW. CAMBER DOES NOT INCLUDE ALLOWANCE FOR FORM SETTLEMENT. DEADLOAD DEFLECTION ONLY EQUALS APPROXIMATELY 1/3 OF CAMBER VALUES SHOWN.

AT ABUTMENTS IN SPAN

CROSS SECTION THRU ROADWAY

(LOOKING EAST)

▲ BUNDLE EXTERIOR S1003 BARS AS SHOWN, FOR BUNDLING DETAIL SEE SHEET 11. (TYP. @ BOTH EDGES OF SLAB)



PLAN

PRF= SUPERPLO2
 FILE= SUPER.PLA
 W.U.= 11212000 (CROSS SECTION)
 W.U.= 11216000 (PLAN)
 DATE= 12-27-85

No.	Date	Revision	By
STATE OF WISCONSIN DEPARTMENT OF TRANSPORTATION			
STRUCTURE B-35-94			
Const. Spec.	WIS.1981	Drawn By	T.A.W.
		Plans Checked	JRL
SUPERSTRUCTURE			SHEET 10 OF 12
			X78476