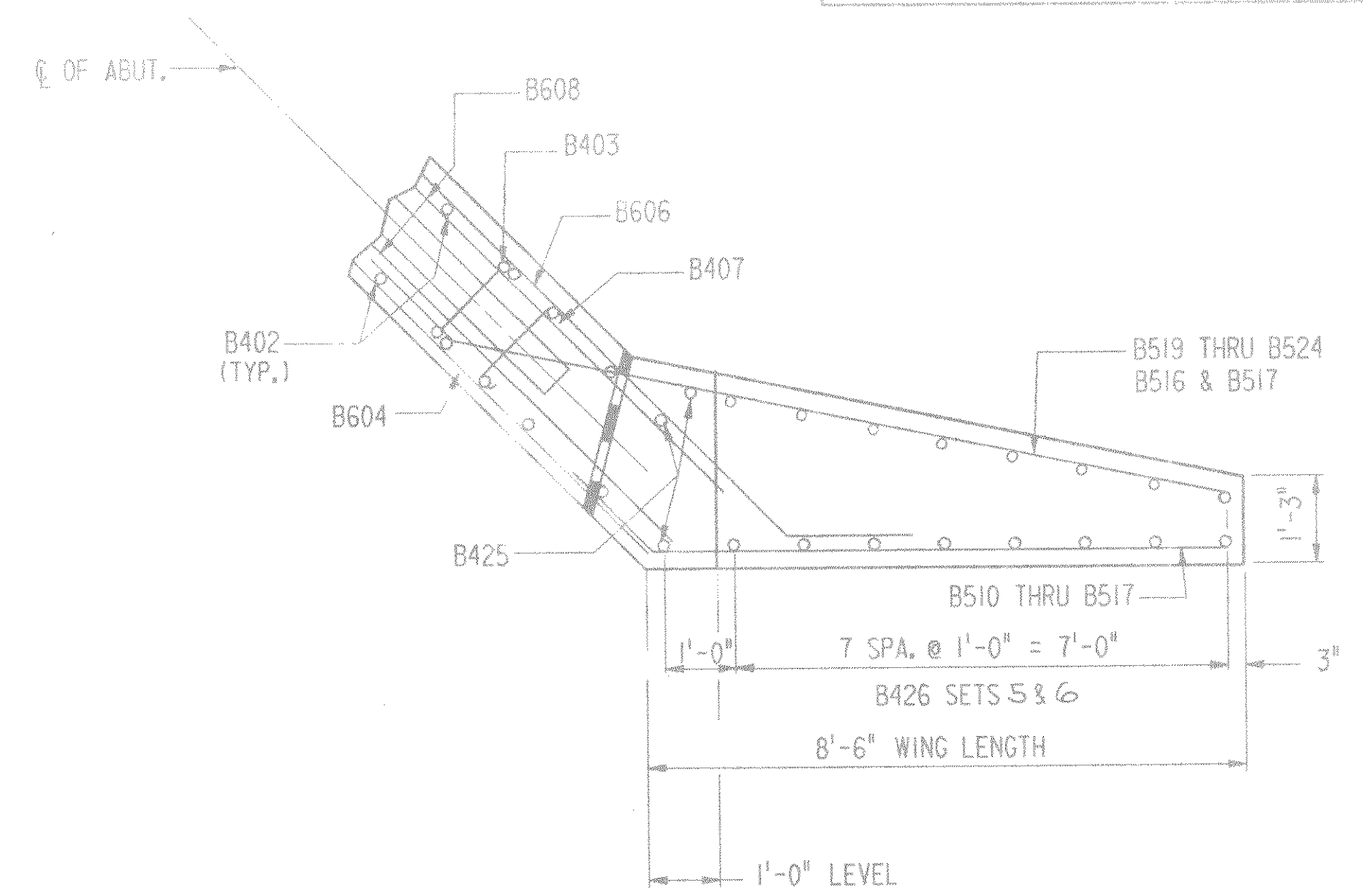
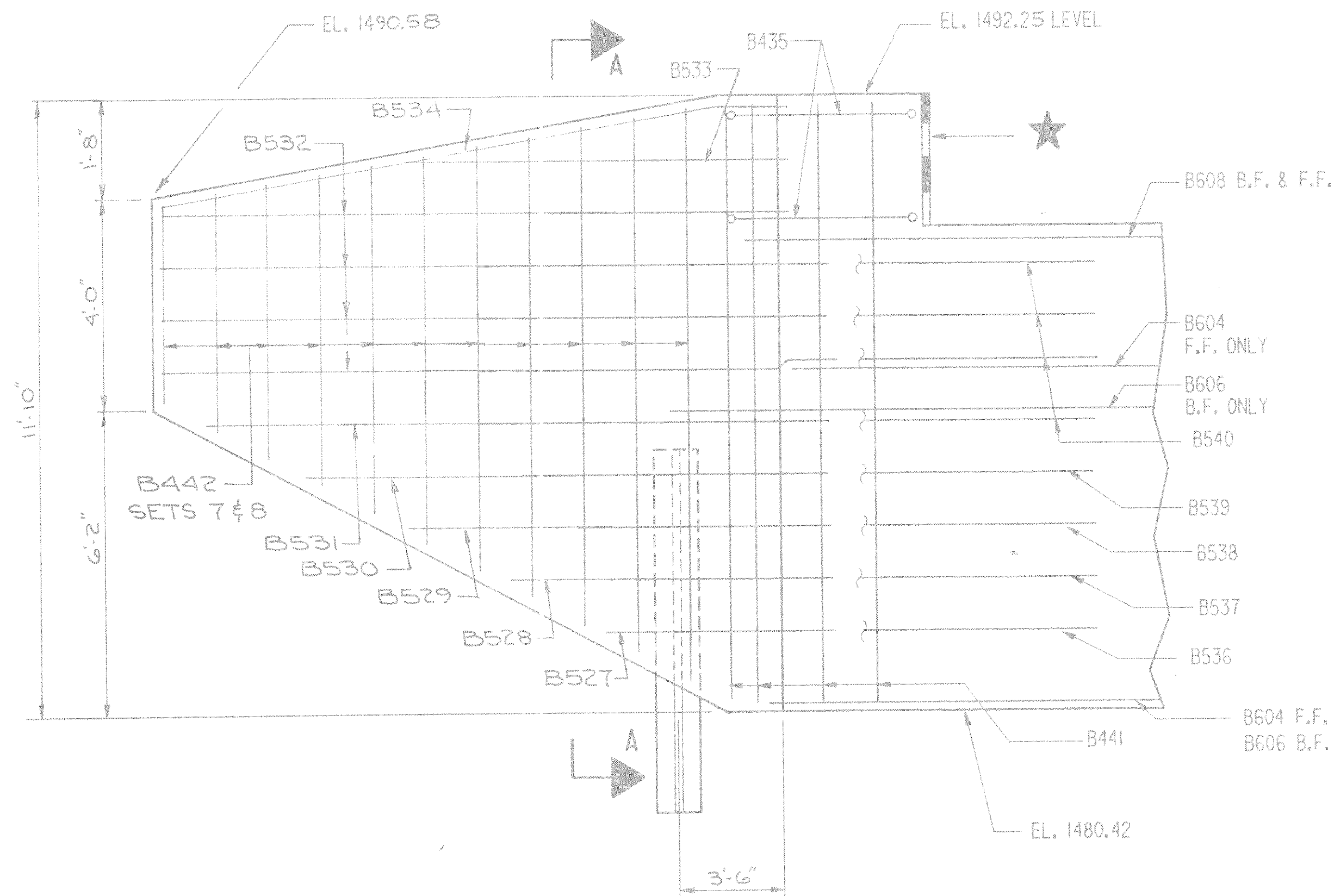


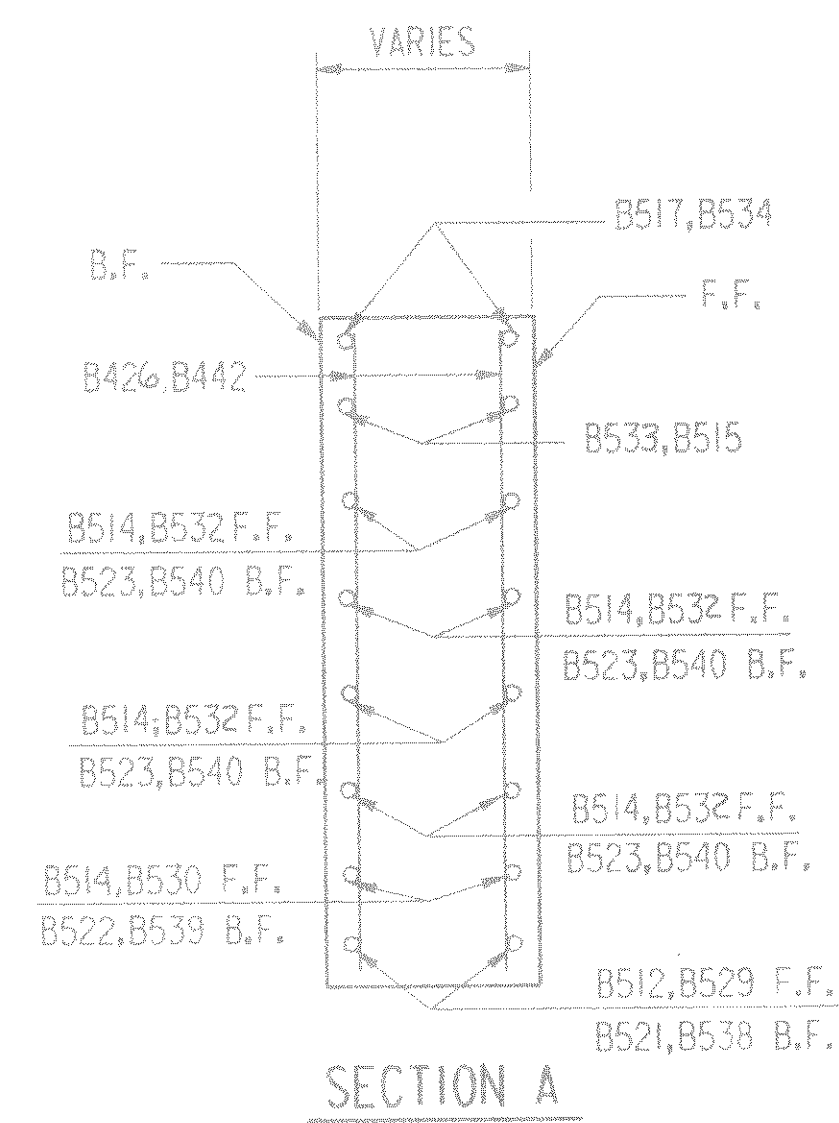
PLAN WING 3



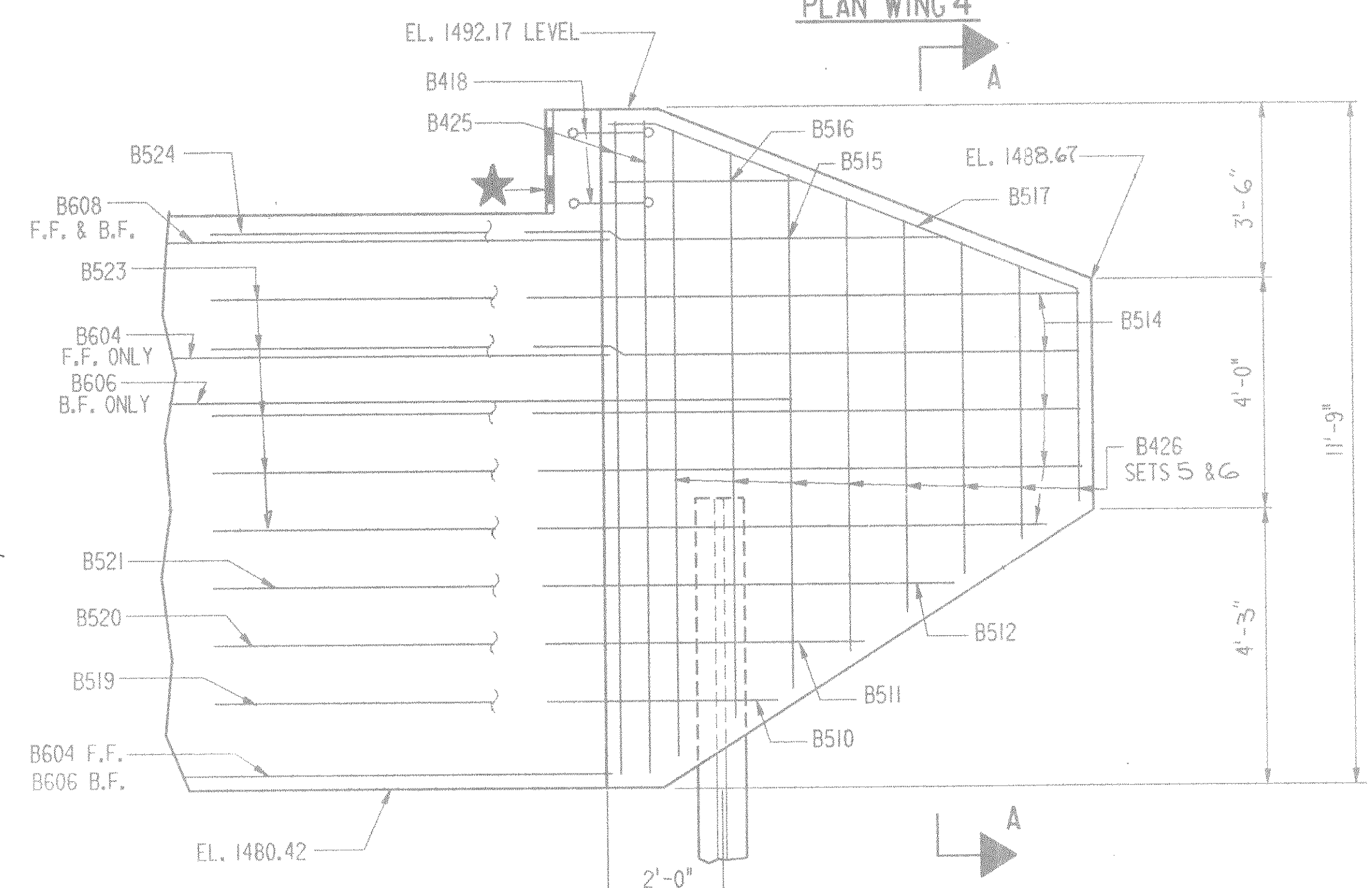
PLAN WING 4



ELEVATION WING 3



SECTION A



ELEVATION WING 4

DATE: 12-27-85

PROJ: WING3402 (140001)
 FILE: WING34.FIN
 W.U.: 11/21/8000
 W.U.:

No.	Date	Revision	By
STATE OF WISCONSIN DEPARTMENT OF TRANSPORTATION			
STRUCTURE B-35-94			
Const. Spec.	WIS. 1981	Drawn By	T.A.W.
		Plans Checked	JRL
WINGS 3 & 4			SHEET 7 OF 12
			X78473