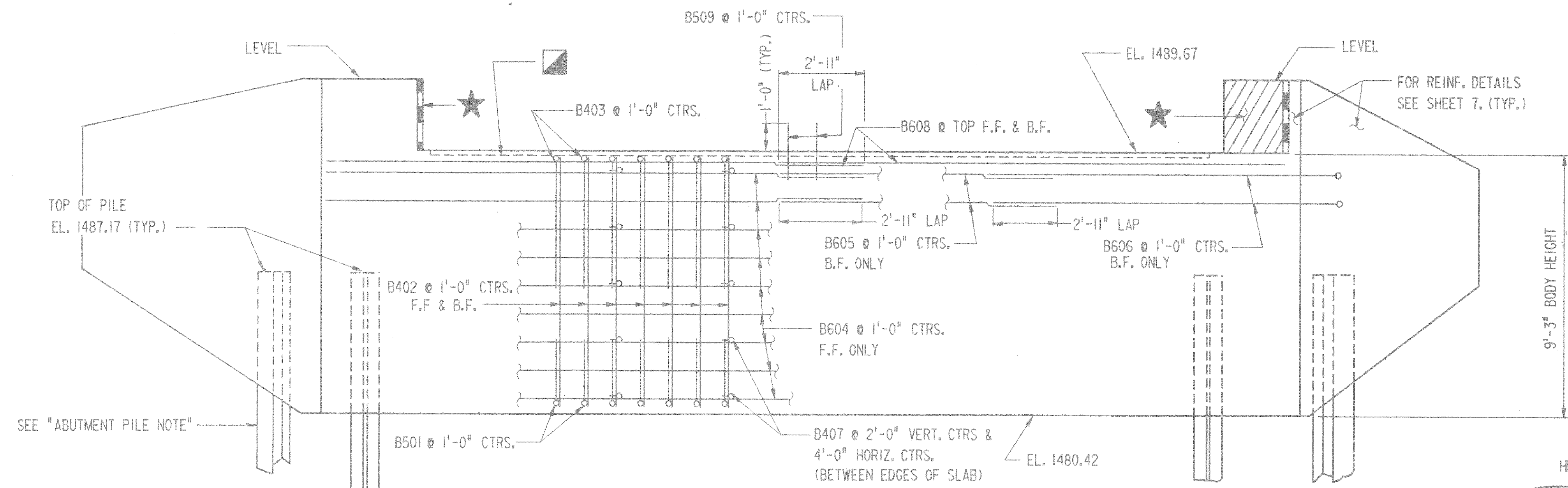


NOTE: B509 BARS MAY BE PLACED AFTER CONCRETE IS POURED, BUT BEFORE THE INITIAL SET HAS TAKEN PLACE.

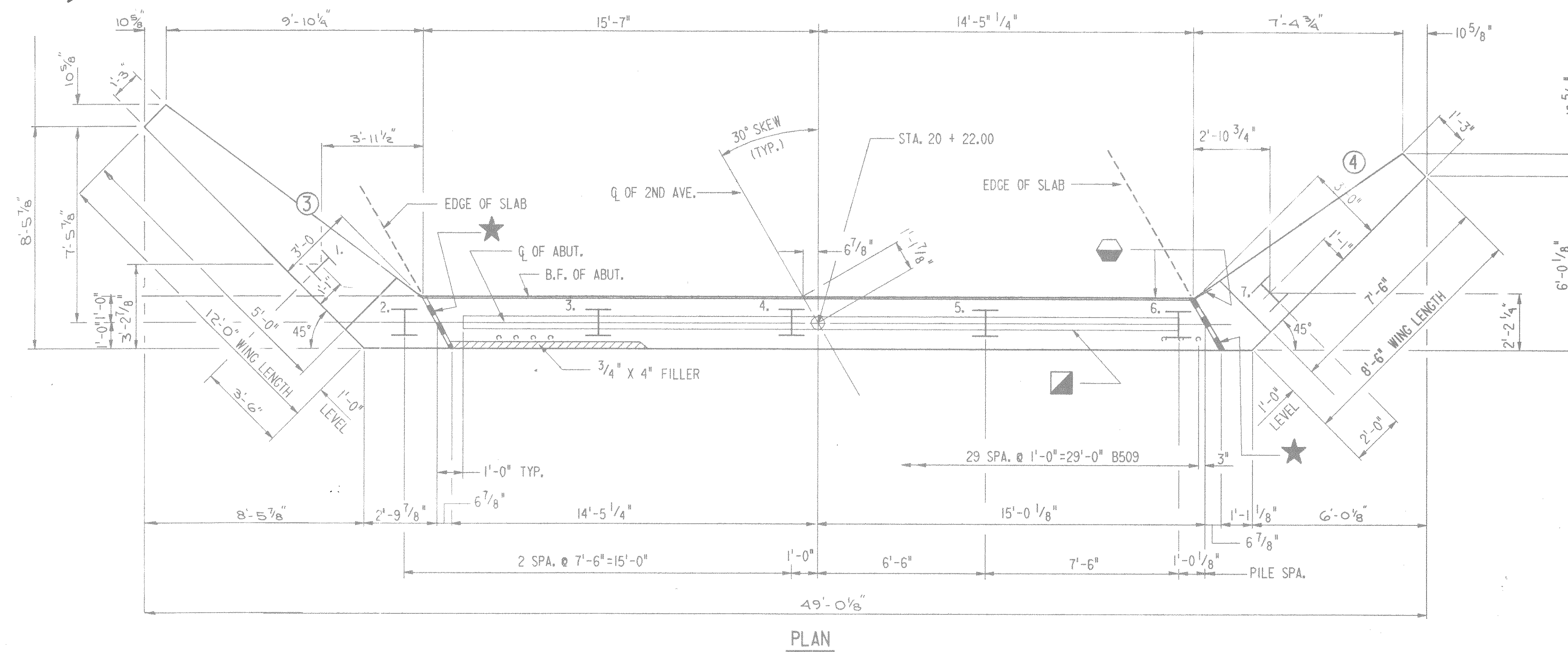


ELEVATION
(LOOKING EAST)

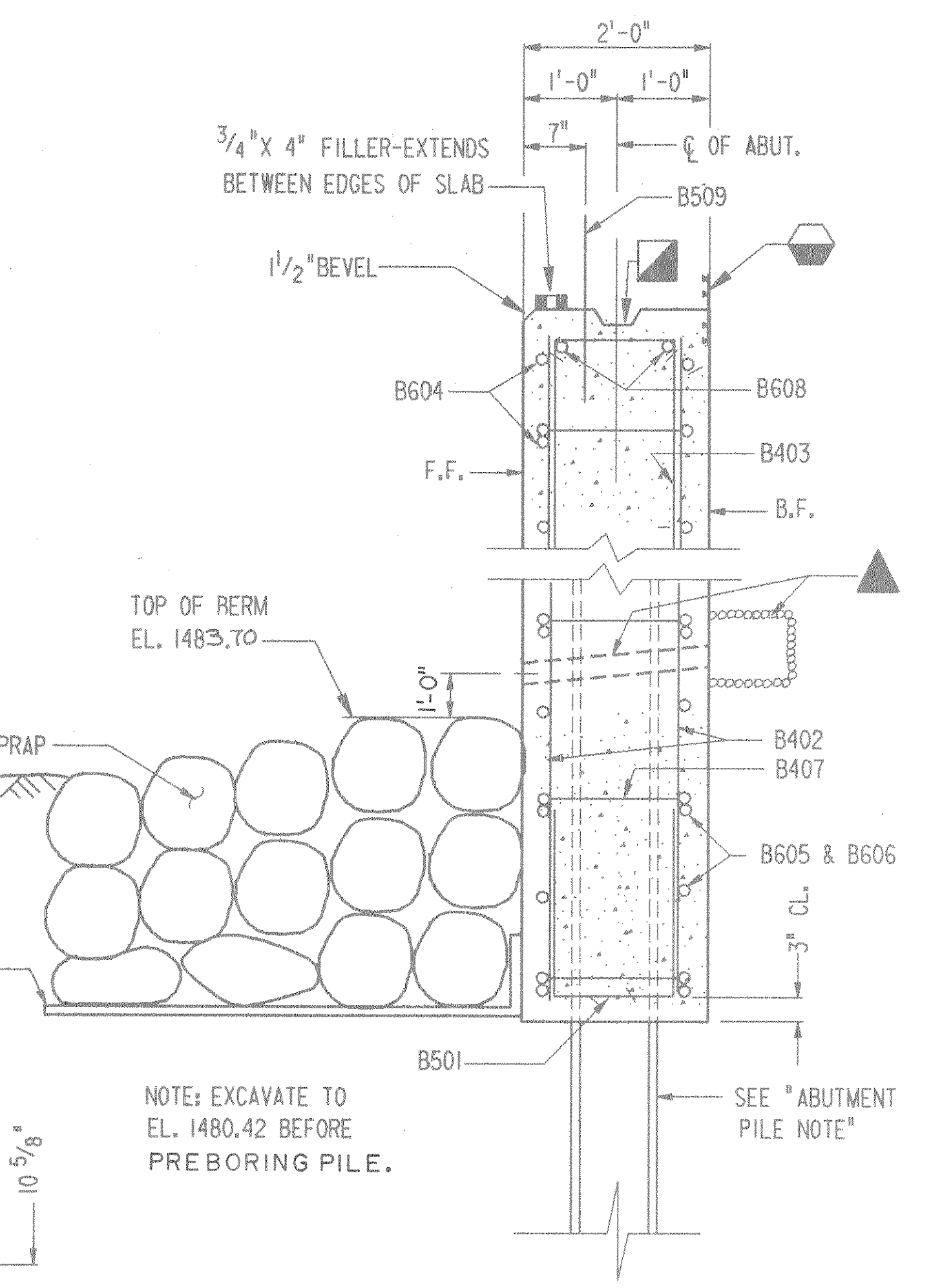
ABUTMENT PILE NOTE

PILING SHALL BE HP 10 X 42 STEEL PILING BASED ON A MIN. BRG. VALUE OF 55 TON PER PILE. ESTIMATED LENGTH OF PILING IS 20'-0" LONG. FOR PILE SPLICE SEE SHEET 8. PREBORE TO EL. 1467 ±.

WOVEN FILTER CLOTH - PLACE UNDER HEAVY RIPRAP AS SHOWN. TO BE PAID FOR AS "GEOTEXTILE FABRIC"



PLAN



TYPICAL SECTION THRU BODY

NOTE: FOR SYMBOL ★, ◼ & ◻ DESCRIPTIONS SEE SHEET 8.

▲ - 2" DIA. WEEP HOLES AT 20'-0" CTRS. - USE FILTER CLOTH WITH SELECT GRANULAR MATERIAL AT EACH HOLE (ON B.F. 12" X 12" X 12" MIN.) COST INCIDENTAL TO "CONCRETE MASONRY, BRIDGES".

NOTE: DO NOT PLACE FILL ABOVE EL. 1482.4 ± UNTIL SUPERSTRUCTURE CONCRETE IS IN PLACE.

No.	Date	Revision	By
STATE OF WISCONSIN DEPARTMENT OF TRANSPORTATION			
STRUCTURE B-35-94			
Const. Spec.	WIS. 1981	Drawn By	T.A.W.
		Plans Checked	JRL
EAST ABUTMENT			SHEET 6 OF 12
			X78472

PRF= EASTAB2 [140001]
 FILE= EASTABUT.FIN
 W.U.= 11/21/2000 PLAN
 W.U.=

DATE= 12-27-85