

STATE OF WISCONSIN  
WISCONSIN DEPARTMENT OF TRANSPORTATION  
TOWN PLAT RECORD

35-002A

TOWN OF  
**BIRCH**  
COUNTY: LINCOLN

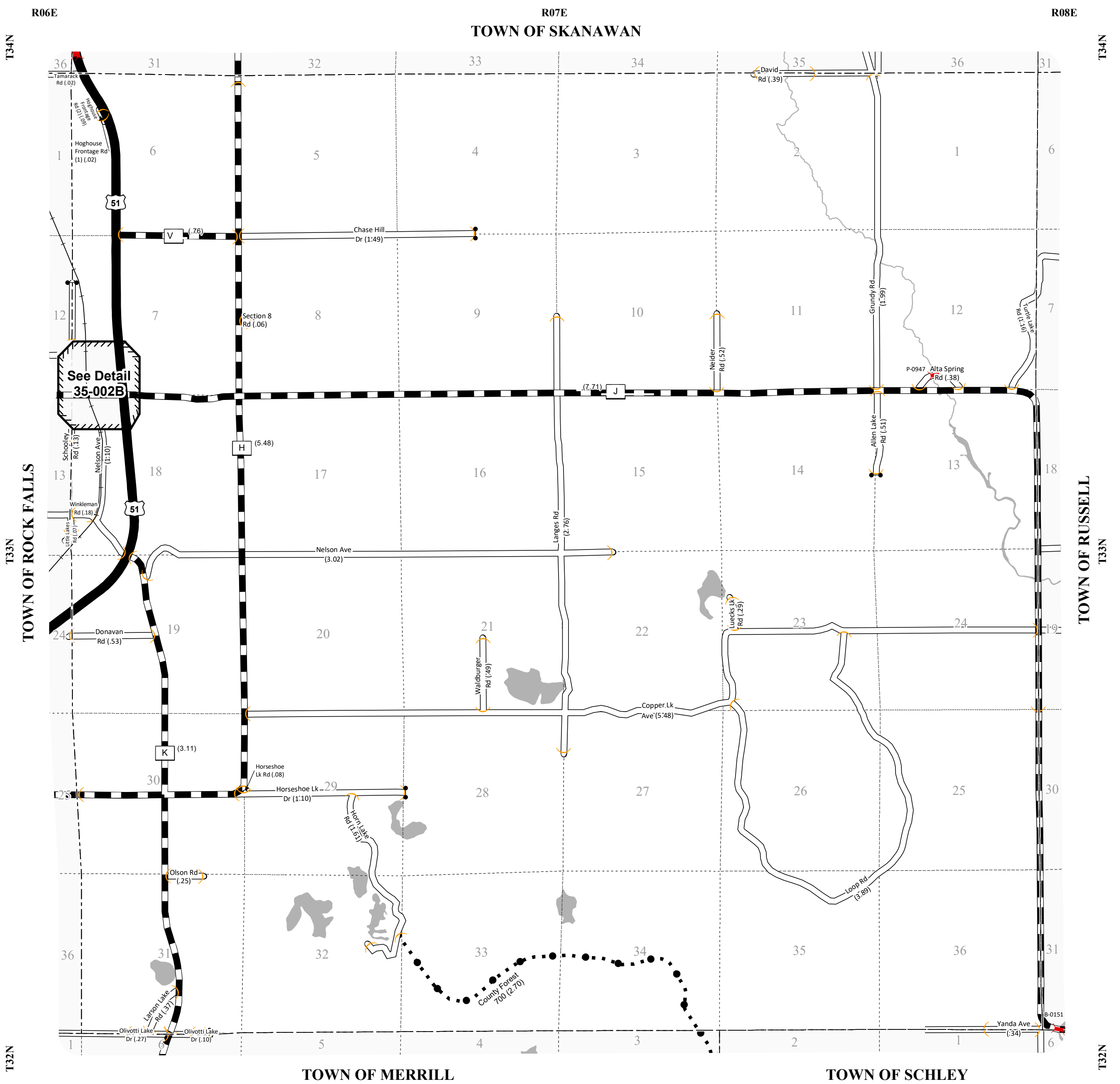
DATE	MILEAGE FOR LOCAL ROADS/STREETS	LOCAL ROADS/STREETS	
(1) 4-1-22	30.01	Certified in accordance with sec. 86.30 Wis. stat.	
(2) 1-1-23	.	Name:	Title:
(3) 4-1-23	.	Signature:	Date:

- (1) THIS DATA REPRESENTS THE LAST CERTIFIED MILEAGE AS CORRECTED BY WISDOT WHICH MAY HAVE BEEN USED FOR PAST TRANSPORTATION AIDS.
- (2) THE TOWN CHAIRMAN OR CITY/VILLAGE CLERK IS TO FILL IN THE MILEAGE TO BE CERTIFIED AS OPEN TO THE PUBLIC AS OF THE FOLLOWING JANUARY, INCLUDING THE NEW CHANGES THAT ARE MADE ON THE PLAT.
- (3) THIS DATA REPRESENTS MILEAGE ADJUSTMENTS MADE BY WISDOT DUE TO FIELD VERIFICATION, INVENTORY, ANNEXATION, ETC. TRANSPORTATION AID PAYMENTS MAY BE MADE BASED ON THIS FIGURE.

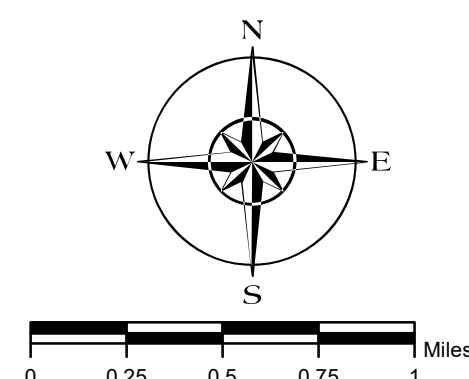
MILEAGE FOR COUNTY TRUNKS	MILEAGE FOR COUNTY OTHER ROADS
17.38	00.00

COUNTY FOREST ROAD MILEAGE			COUNTY FOREST ROADS	
Certified in accordance with sec. 86.315 Wis. stat.				
(4) 4-1-22	DNR APPROVED	2.70		
(5) 1-1-23	DNR APPROVED	.		
(6)	ELIG TRANS AIDS	.	Name:	Title:
(7)	NOT ELIG TRANS AIDS	.	Signature:	Date:

- (4) THIS DATA REPRESENTS THE MILEAGE REPORTED LAST CERTIFICATION YEARS BY THE COUNTY FOREST ADMINISTRATOR.
- (5) THE COUNTY FOREST ADMINISTRATOR IS TO FILL IN MILEAGE TO BE CERTIFIED AS COUNTY FOREST ROADS THAT ARE OPEN TO THE PUBLIC AS OF THE FOLLOWING JANUARY, INCLUDING NEW CHANGES THAT ARE ADDED TO THE COUNTY FOREST ROAD SYSTEM.
- (6) THIS IS TO BE FILLED IN BY WISDOT, AFTER THE SURFACE AND ROADWAY WIDTHS HAVE BEEN REVIEWED TO DETERMINE ELIGIBILITY FOR TRANSPORTATION AIDS.
- (7) THIS DATA REPRESENTS DNR COUNTY FOREST ROADS MILEAGE THAT IS NOT ELIGIBLE FOR TRANSPORTATION AIDS.



- LEGEND:**
- County Trunk Highway
  - Local Road
  - County Forest - Eligible
  - US Highway
  - Railroad
  - CVT Border
  - PLSS Border
  - Bridge
  - Gate
  - Route Identifier



The information contained on this map was created for the official use of the Wisconsin Department of Transportation (WisDOT). Any other use while not prohibited, is the sole responsibility of the user. WisDOT expressly disclaims all liability regarding fitness of use of the information for other than official WisDOT business.